

NX 912-SMA

PROFESSIONAL ACTIVE STAGE MONITOR

DESCRIPTION

NX 912-SMA speaker is a stage monitor designed for sound providers, musicians, bands, and DJs. The combination of a 1.75" compression driver, 12" woofer, two-channel 2,100W amplifier, and the TRW waveguide produces coherent 100° x 70° coverage for the listening area with up to 130dB SPL of distortion-free sound. Used as a stage monitor, stand-alone speaker system, or satellite paired with a subwoofer, the NX 912-SMA blends high performance and reliability in a compact package. Combining RCF proprietary FiRPHASE and Bass Motion Control DSP processing, NX 912-SMA Series speakers deliver absolute clarity and deep, powerful bass response. The tour-ready, rugged all-wood cabinet is easy to carry and set up on stage or on a pole.



FEATURES

- Up to 130 dB Sound Pressure Level
- 2100W Class-D bi-amplification
- 50-20000 Hz linear frequency response
- 1.75" Compression Driver
- 12" Woofer
- FiRPHASE zero degrees phase technology
- Bass Motion Control woofer excursion management
- 70°x100° Constant Directivity Coverage Angle
- Perfectly tailored for horizontal or vertical deployment

TECHNICAL SPECIFICATIONS

Acoustical specifications	Frequency Response:	50 Hz ÷ 20000 Hz
	Max SPL @ 1m:	130 dB
	Horizontal coverage angle:	100°
	Vertical coverage angle:	70°
Transducers	Compression Driver:	1 x 1.0", 1.75" v.c
	Woofers:	12", 2.5" v.c
Input/Output section	Input signal:	bal/unbal
	Input connectors:	Combo XLR/Jack
	Output connectors:	XLR
	Input sensitivity:	-2 dBu/+4 dBu
Processor section	Crossover Frequencies:	1600 Hz
	Protections:	Thermal, RMS
	Limiter:	Soft Limiter
Power section	Total Power:	2100 W Peak
	High frequencies:	700 W Peak
	Low frequencies:	1400 W Peak
	Cooling:	Convection
	Connections:	Powercon TRUE1 TOP IN/OUT
Standard compliance	Safety agency:	CE compliant
Physical specifications	Cabinet/Case Material:	Plywood
	Handles:	1 on side and 1 on top
	Pole mount/Cap:	Yes
	Grille:	Steel
	Color:	Black
Size	Height:	320 mm / 12.6 inches
	Width:	620 mm / 24.41 inches
	Depth:	394 mm / 15.51 inches
	Weight:	20 kg / 44.09 lbs
Shipping information	Package Height:	675 mm / 26.57 inches
	Package Width:	425 mm / 16.73 inches
	Package Depth:	370 mm / 14.57 inches
	Package Weight:	23 kg / 50.71 lbs



PART NUMBER

• **13000784**

NX 912-SMA

100-120V

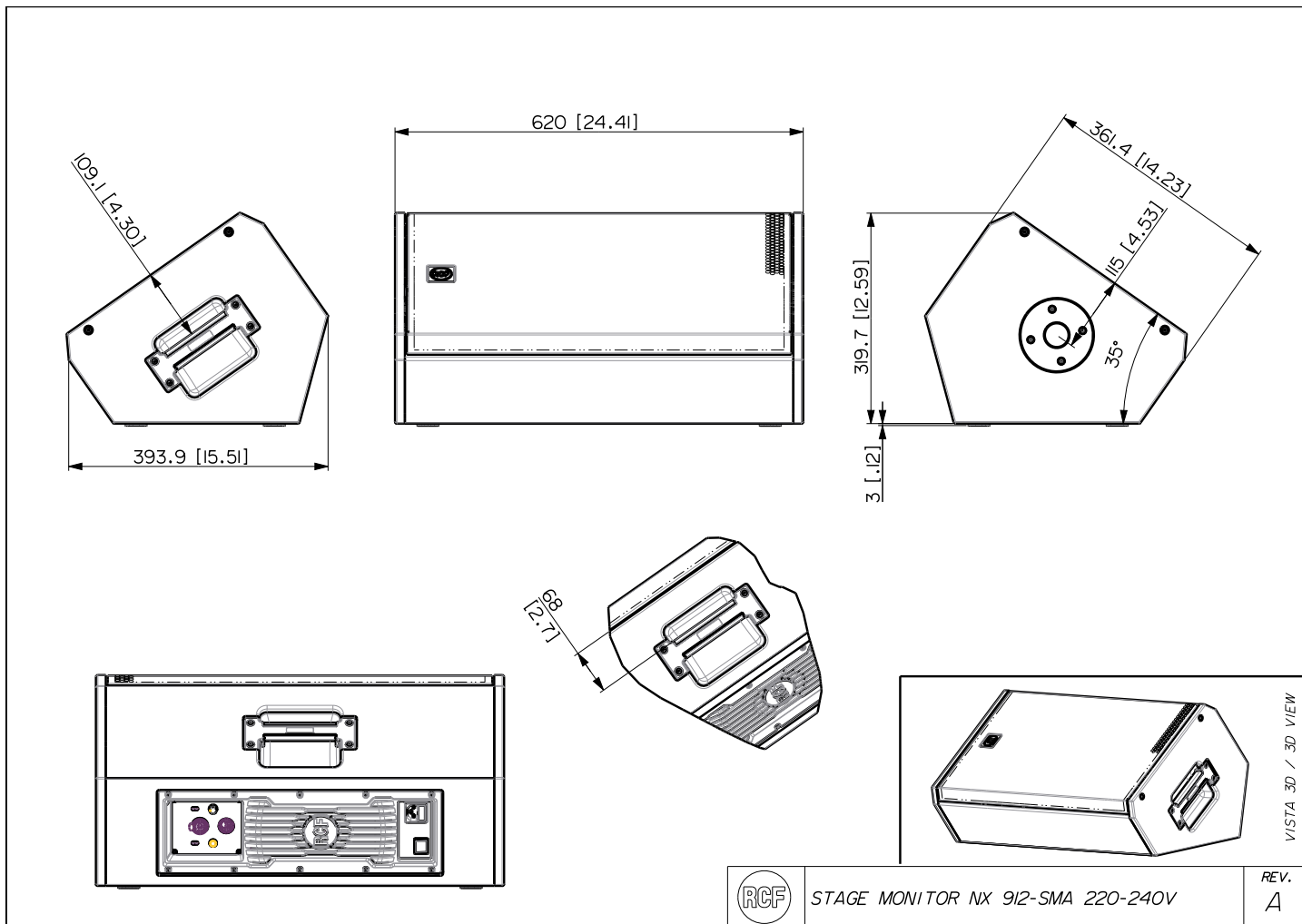
EAN 8024530020576

• **13000783**

NX 912-SMA

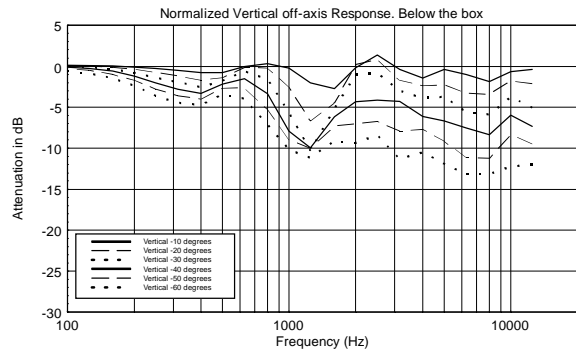
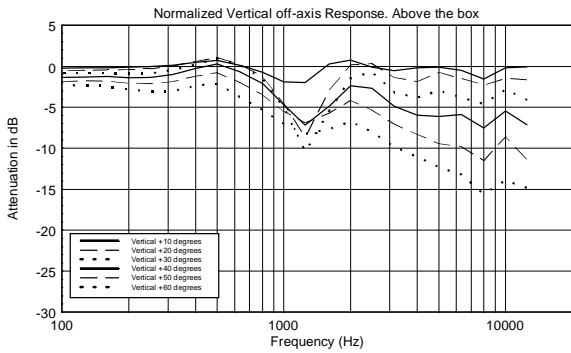
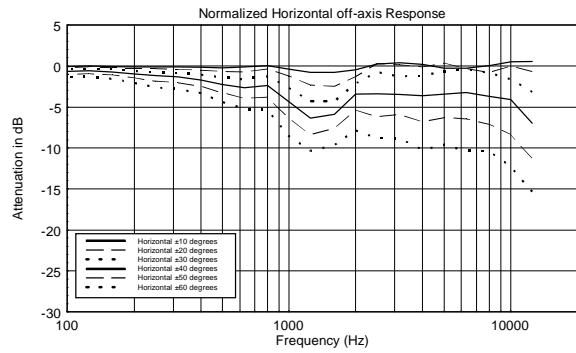
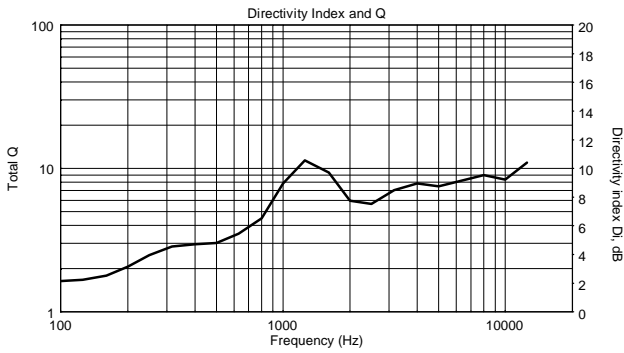
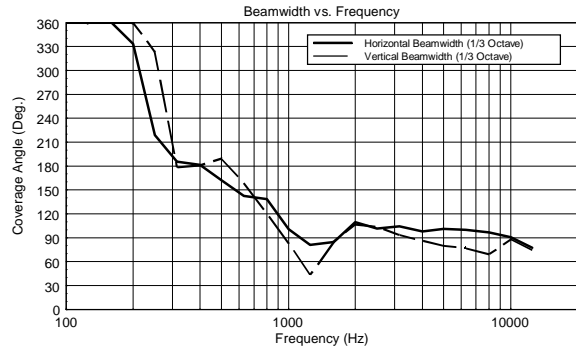
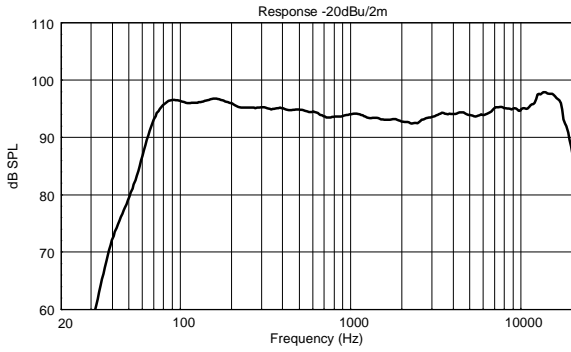
220-240V

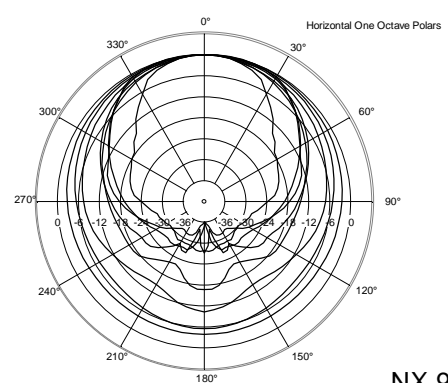
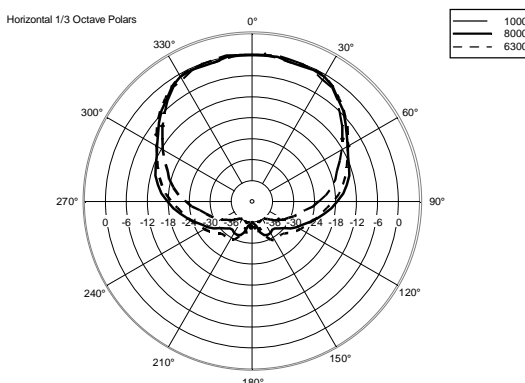
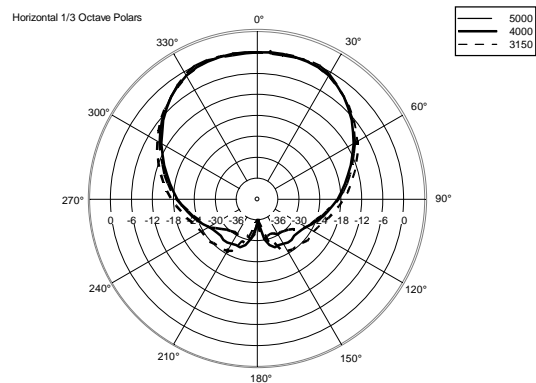
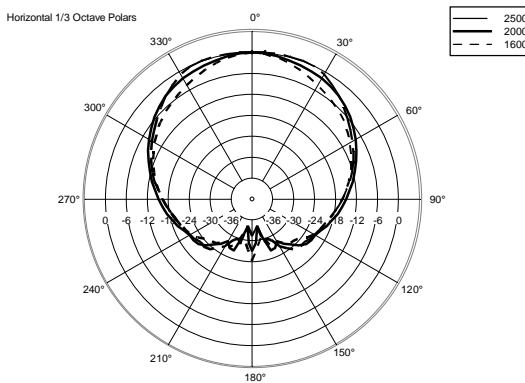
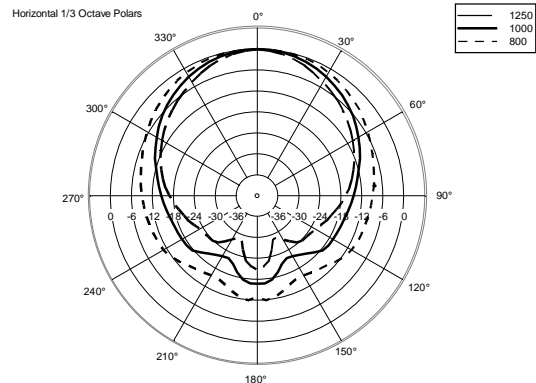
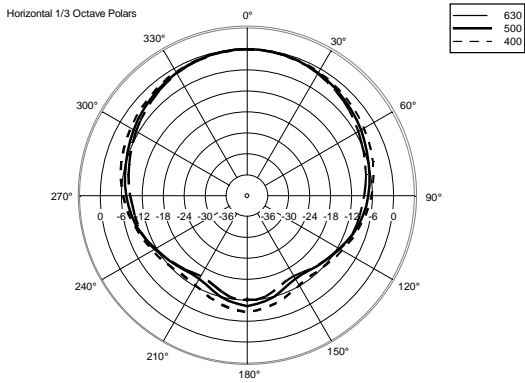
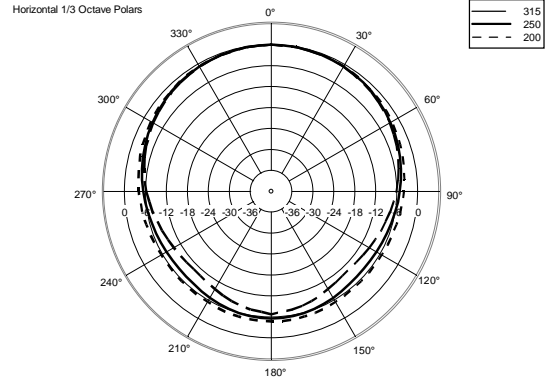
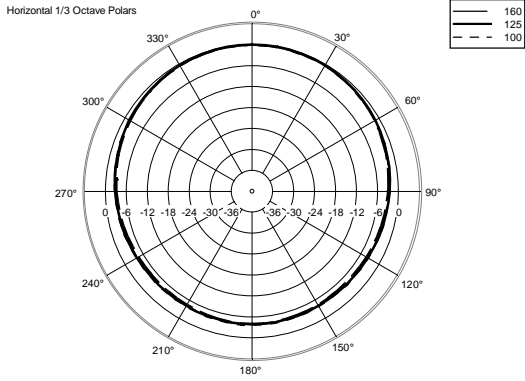
EAN 8024530020569

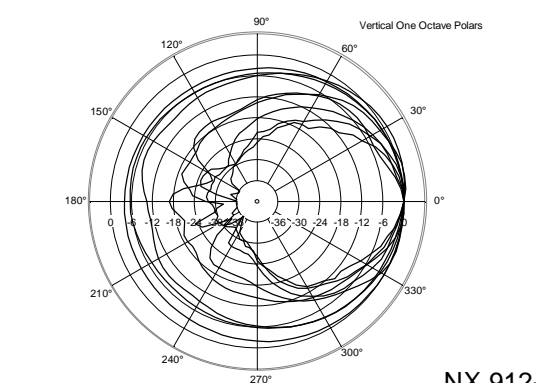
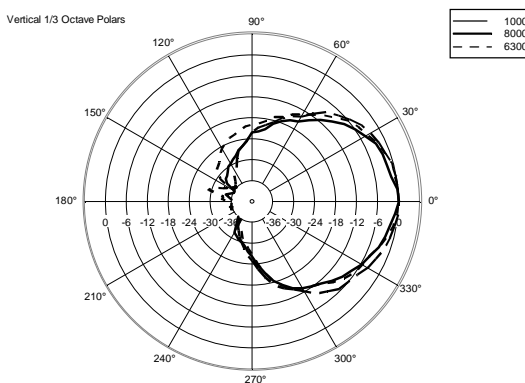
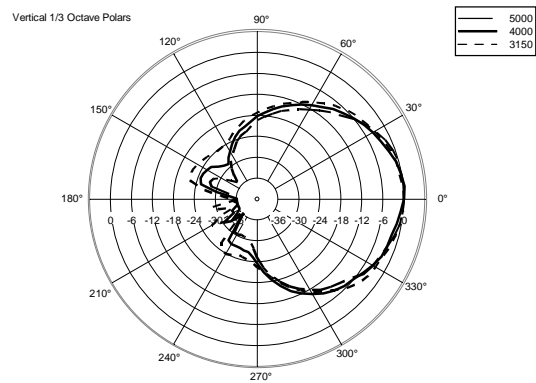
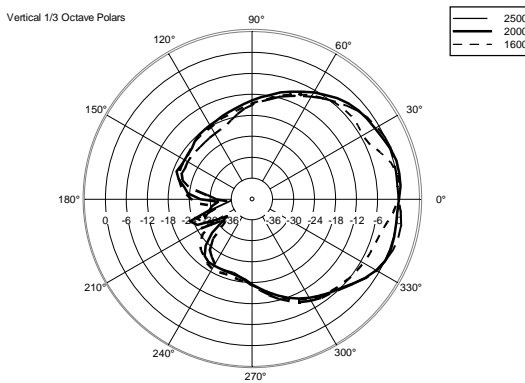
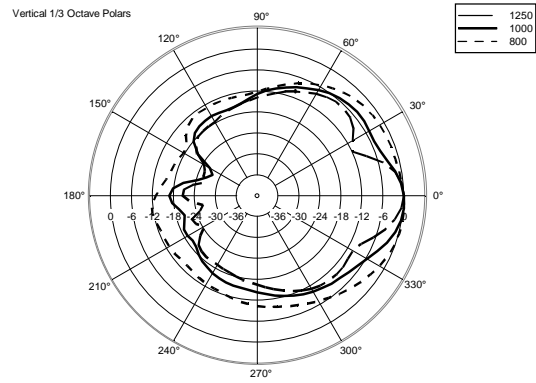
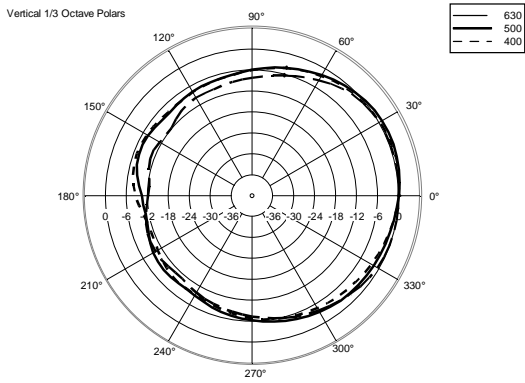
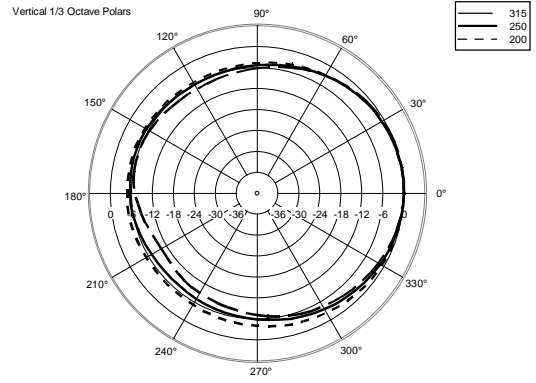
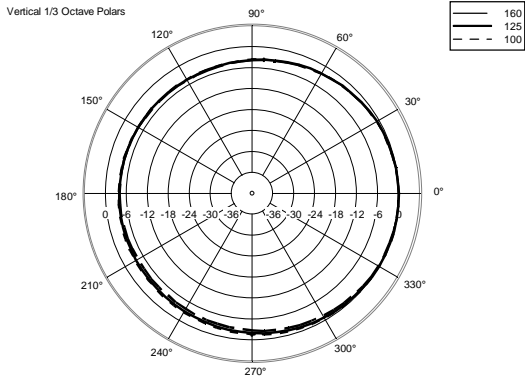


STAGE MONITOR NX 912-SMA 220-240V

REV. A







ACCESSORIES

AC PM-M20

PART NUMBER **13360067**
EAN: 8024530014599

AC PMX POLE MOUNT M20

PART NUMBER **13360232**
EAN: 8024530010058

AC PRO-FS PROFESS. LOCKING FLOOR STAND

PART NUMBER **13360109**
EAN: 8024530006471

AC PRO-PM PROFESS. LOCKING POLE MOUNT

PART NUMBER **13360110**
EAN: 8024530006488

RAIN PROTECTION RP 001

PART NUMBER **13360515**
EAN: 8024530020460