



SUB 702-AS MK3
SUB 705-AS MK3
SUB 708-AS MK3

PROFESSIONAL ACTIVE SUBWOOFER

ENGLISH

1	SAFETY PRECAUTIONS AND GENERAL INFORMATION.....	4
2	DESCRIPTION	6
3	REAR PANEL FEATURES AND CONTROLS	7
4	CONNECTION	8
5	TROUBLESHOOTING.....	9

ITALIANO

1	AVVERTENZE PER LA SICUREZZA E INFORMAZIONI GENERALI.....	10
2	DESCRIZIONE	12
3	PANNELLO POSTERIORE - FUNZIONI E CONTROLLI	13
4	CONNESSIONI	14
5	RISOLUZIONE DEI PROBLEMI	15

DIMENSIONS - SUB 702-AS MK3	16
-----------------------------------	----






DIMENSIONS - SUB 705-AS MK3	17
-----------------------------------	----

DIMENSIONS - SUB 708-AS MK3	18
-----------------------------------	----

SPECIFICATIONS.....	19
---------------------	----

1. SAFETY PRECAUTIONS AND GENERAL INFORMATION

The symbols used in this document give notice of important operating instructions and warnings which must be strictly followed.

	CAUTION	Important operating instructions: explains hazards that could damage a product, including data loss
	WARNING	Important advice concerning the use of dangerous voltages and the potential risk of electric shock, personal injury or death.
	IMPORTANT NOTES	Helpful and relevant information about the topic
	SUPPORTS, TROLLEYS AND CARTS	Information about the use of supports, trolleys and carts. Reminds to move with extreme caution and never tilt.
	WASTE DISPOSAL	This symbol indicates that this product should not be disposed with your household waste, according to the WEEE directive (2012/19/EU) and your national law.

IMPORTANT NOTES

This manual contains important information about the correct and safe use of the device. Before connecting and using this product, please read this instruction manual carefully and keep it on hand for future reference. The manual is to be considered an integral part of this product and must accompany it when it changes ownership as a reference for correct installation and use as well as for the safety precautions. RCF S.p.A. will not assume any responsibility for the incorrect installation and / or use of this product.

SAFETY PRECAUTIONS

1. All the precautions, in particular the safety ones, must be read with special attention, as they provide important information.

2. Power supply from mains

- The mains voltage is sufficiently high to involve a risk of electrocution; install and connect this product before plugging it in.
- Before powering up, make sure that all the connections have been made correctly and the voltage of your mains corresponds to the voltage shown on the rating plate on the unit, if not, please contact your RCF dealer.
- The metallic parts of the unit are earthed through the power cable. An apparatus with CLASS I construction shall be connected to a mains socket outlet with a protective earthing connection.
- Protect the power cable from damage; make sure it is positioned in a way that it cannot be stepped on or crushed by objects.
- To prevent the risk of electric shock, never open this product: there are no parts inside that the user needs to access.
- Be careful: in the case of a product supplied by manufacturer only with POWERCON connectors and without a power cord, jointly to POWERCON connectors type NAC3FCA (power-in) and NAC3FCB (power-out), the following power cords compliant to national standard shall be used:
 - EU: cord type H05VV-F 3G 3x2.5 mm² - Standard IEC 60227-1
 - JP: cord type VCTF 3x2 mm²; 15Amp/120V~ - Standard JIS C3306
 - US: cord type SJT/SJTO 3x14 AWG; 15Amp/125V~ - Standard ANSI/UL 62

3. Make sure that no objects or liquids can get into this product, as this may cause a short circuit. This apparatus shall not be exposed to dripping or splashing. No objects filled with liquid, such as vases, shall be placed on this apparatus. No naked sources (such as lighted candles) should be placed on this apparatus.

4. Never attempt to carry out any operations, modifications or repairs that are not expressly described in this manual. Contact your authorized service centre or qualified personnel should any of the following occur:

- **The product does not function (or functions in an anomalous way).**
- **The power cable has been damaged.**

- **Objects or liquids have got in the unit.**
- **The product has been subject to a heavy impact.**

5. If this product is not used for a long period, disconnect the power cable.

6. If this product begins emitting any strange odours or smoke, switch it off immediately and disconnect the power cable.

7. Do not connect this product to any equipment or accessories not foreseen.

For suspended installation, only use the dedicated anchoring points and do not try to hang this product by using elements that are unsuitable or not specific for this purpose. Also check the suitability of the support surface to which the product is anchored (wall, ceiling, structure, etc.), and the components used for attachment (screw anchors, screws, brackets not supplied by RCF etc.), which must guarantee the security of the system / installation over time, also considering, for example, the mechanical vibrations normally generated by transducers.

To prevent the risk of falling equipment, do not stack multiple units of this product unless this possibility is specified in the user manual.

8. RCF S.p.A. strongly recommends this product is only installed by professional qualified installers (or specialised firms) who can ensure correct installation and certify it according to the regulations in force. The entire audio system must comply with the current standards and regulations regarding electrical systems.

9. Supports, trolleys and carts.



The equipment should be only used on supports, trolleys and carts, where necessary, that are recommended by the manufacturer. The equipment / support / trolley / cart assembly must be moved with extreme caution. Sudden stops, excessive pushing force and uneven floors may cause the assembly to overturn. Never tilt the assembly.

10. There are numerous mechanical and electrical factors to be considered when installing a professional audio system (in addition to those which are strictly acoustic, such as sound pressure, angles of coverage, frequency response, etc.).

11. Hearing loss.

Exposure to high sound levels can cause permanent hearing loss. The acoustic pressure level that leads to hearing loss is different from person to person and depends on the duration of exposure. To prevent potentially dangerous exposure to high levels of acoustic pressure, anyone who is exposed to these levels should use adequate protection devices. When a transducer capable of producing high sound levels is being used, it is therefore necessary to wear ear plugs or protective earphones. See the manual technical specifications to know the maximum sound pressure level.

OPERATING PRECAUTIONS

- Place this product far from any heat sources and always ensure an adequate air circulation around it.
- Do not overload this product for a long time.
- Never force the control elements (keys, knobs, etc.).
- Do not use solvents, alcohol, benzene or other volatile substances for cleaning the external parts of this product.

IMPORTANT NOTES

To prevent the occurrence of noise on line signal cables, use screened cables only and avoid putting them close to:

- **Equipment that produces high-intensity electromagnetic fields**
- **Power cables**
- **Loudspeaker lines**



WARNING! CAUTION! To prevent the risk of fire or electric shock, never expose this product to rain or humidity.



WARNING! To prevent electric shock hazard, do not connect to mains power supply while grille is removed



WARNING! to reduce the risk of electric shock, do not disassemble this product unless you are qualified. Refer servicing to qualified service personnel.

CORRECT DISPOSAL OF THIS PRODUCT



This product should be handed over to an authorized collection site for recycling waste electrical and electronic equipment (EEE). Improper handling of this type of waste could have a possible negative impact on the environment and human health due to potentially hazardous substances that are generally associated with EEE. At the same time, your cooperation in the correct disposal of this product will contribute to the effective usage of natural resources. For more information about where you can drop off your waste equipment for recycling, please contact your local city office, waste authority or your household waste disposal service.

CARE AND MAINTENANCE

To ensure a long-life service, this product should be used following these advices:

- If the product is intended to be set up outdoors, be sure it is under cover and protected to rain and moisture.
 - If the product needs to be used in a cold environment, slowly warm up the voice coils by sending a low-level signal for about 15 minutes before sending high-power signals.
 - Always use a dry cloth to clean the exterior surfaces of the speaker and always do it when the power is turned off.
-



CAUTION: to avoid damaging the exterior finishes do not use cleaning solvents or abrasives.



WARNING! CAUTION! For powered speakers, do cleaning only when the power is turned off.

RCF S.p.A. reserves the right to make changes without prior notice to rectify any errors and / or omissions.

Always refer to the latest version of the manual on www.rcf.it.

FCC NOTES

This equipment has been tested and found to comply with the limits for a Class B digital device, pursuant to part 15 of the FCC Rules. These limits are designed to provide reasonable protection against harmful interference in a residential installation. This equipment generates, uses and can radiate radio frequency energy and, if not installed and used in accordance with the instructions, may cause harmful interference to radio communications. However, there is no guarantee that interference will not occur in a particular installation. If this equipment does cause harmful interference to radio or television reception, which can be determined by turning the equipment off and on, the user is encouraged to try to correct the interference by one or more of the following measures:

- Reorient or relocate the receiving antenna.
- Increase the separation between the equipment and receiver.
- Connect the equipment into an outlet on a circuit different from that to which the receiver is connected.
- Consult the dealer or an experienced radio/TV technician for help.

Modifications: Any modifications made to this device that are not approved by RCF may void the authority granted to the user by the FCC to operate this equipment.

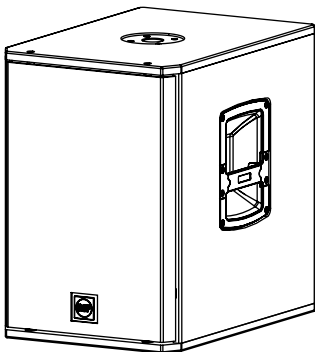
SUB 7 MK3 - PROFESSIONAL ACTIVE SUBWOOFER

Evolution in technology, revolution in sound.

The RCF Team always keeps the performer's needs at its design forefront in order to create new lines of speakers with renewed features, improved sound clarity and definition and even lighter weight systems. Every detail of the Sub Series has been carefully studied to offer recreational and professional musicians the perfect tool to amplify their performance, night after night. High quality materials, precise manufacturing, careful assembly and extensive quality control procedures complete the groundbreaking design work of the RCF R&D team.

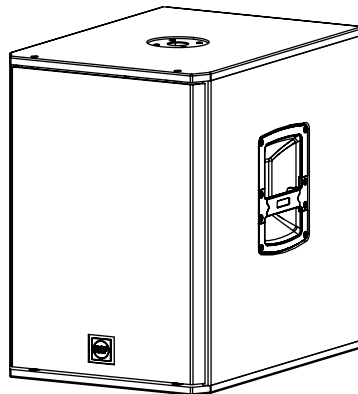
All transducers are precision built taking advantage of RCF's superior moulding, assembly technologies and a wealth of professional knowledge and experience dedicated to achieve extremely high standards. All the transducers in Sub Series speakers feature high power magnets to guarantee the best performance and power handling.

Sub Series Subwoofers are equipped with a new generation of 1400 Watt Class-D Amplifiers. These speakers are equipped with Bass Motion Control technology; it can handle the lowest audible frequencies without affecting the woofer stability, with extended linearity and better sound integrity. The result is a very high output, extremely low distortion and an incredible natural sound. Each amplifier presents Stereo XLR balanced inputs, XLR output link, volume and a switchable crossover (80 Hz / 110 Hz). The amplifier features a solid mechanical aluminium structure which not only stabilizes the amplifier during transportation but also assists in heat dissipation. The new loudspeaker design looks aggressive whilst retaining perfect ergonomics and this is the result of extensive combined functional and acoustic research. The Sub Series Subwoofer cabinets are built in plywood and are designed to dampen down vibrations even at maximum volume settings. The reflex porting has been resized to offer a better efficiency. The cabinet is equipped with 2 ergonomically designed side handles with rubber handgrip. At the top a rugged steel pole mount has been installed in all models.



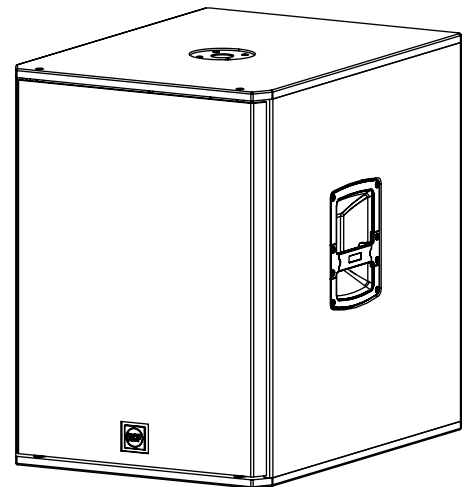
SUB 702-AS MK3

1400 Watt
12" Woofer
18,2 Kg (40,12 lbs)



SUB 705-AS MK3

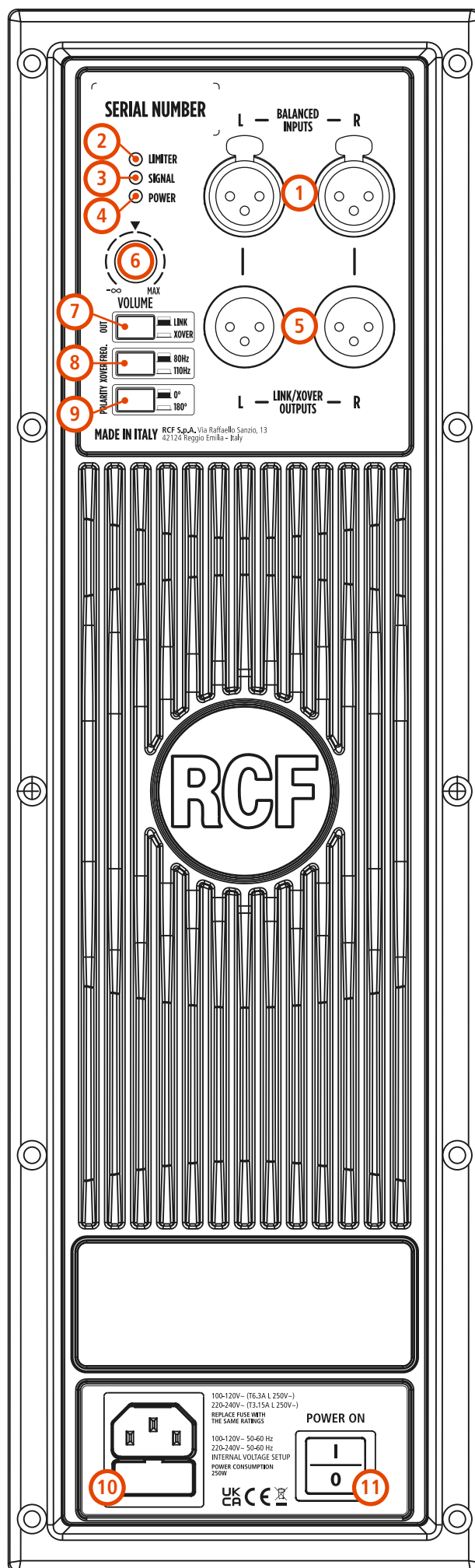
1400 Watt
15" Woofer
28,6 Kg (63,05 lbs)




SUB 708-AS MK3

1400 Watt
18" Woofer
37,6 Kg (82,89 lbs)

- ① **STEREO FEMALE XLR INPUTS (BAL).**
- ② **LIMITER LED** The amplifier has a built in limiter circuit to prevent amplifier clipping or transducers overdriving. When the soft clipping circuit is active the LED blinks orange. It is okay if the limit LED blinks occasionally. If the LED blinks frequently or lights continuously, turn down the signal level.
- ③ **SIGNAL LED** Signal led: the signal indicator lights green if there is signal present on the main XLR input.
- ④ **POWER LED** This green led is ON when the speaker is connected to the main power supply and the ON/OFF is in ON position.
- ⑤ **MALE XLR SIGNAL/XOVER OUTPUT** The output XLR connector provides a loop trough for speakers daisy chaining (or provides a crossover output when the crossover switch is pushed).
- ⑥ **VOLUME CONTROL** Adjusts the amplifier volume.
- ⑦ **LINK/XOVER OUT SWITCH** The output link is flat when the switch is OFF (the output signal is the same as the input signal), or is high passed when the switch is ON (to connect a satellite speaker).
- ⑧ **XOVER SWITCH** This switch sets the crossover frequency of the OUTPUT SIGNAL at 80 Hz or 110 Hz.
- ⑨ **PHASE SWITCH** This switch reverses the phase of the output signal.
- ⑩ **IEC AC SOCKETS** The IEC AC socket provides the connections for the power cord to the socket.
- ⑪ **POWER MAIN SWITCH** The power switch turns the AC power ON and OFF.



 **WARNING! CAUTION! Loudspeaker connections should be only made by qualified and experienced personnel having the technical know-how or enough specific instructions (to ensure that connections are made correctly) in order to prevent any electrical danger.**

To prevent any risk of electric shock, do not connect loudspeakers when the amplifier is switched on.

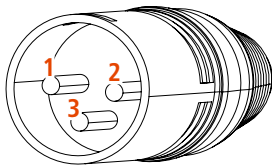
Before turning the system on, check all connections and make sure there are no accidental short circuits.

The entire sound system shall be designed and installed in compliance with the current local laws and regulations regarding electrical systems.

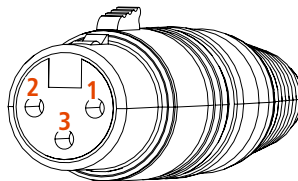
4. CONNECTIONS

The connectors must be wired according to the standards specified by the AES (Audio Engineering Society).

MALE XLR CONNECTOR
Balanced wiring



FEMALE XLR CONNECTOR
Balanced wiring



PIN 1 = GROUND (SHIELD)
PIN 2 = HOT (+)
PIN 3 = COLD (-)

BEFORE CONNECTING THE SPEAKER

On the rear panel you will find all the controls, signal and power inputs. At first verify the voltage label applied to the rear panel (115 Volt or 230 Volt). The label indicates the right voltage. If you read a wrong voltage on the label or if you can't find the label at all, please call your vendor or authorized RCF SERVICE CENTRE before connecting the speaker. This fast check will avoid any damage.

In case of need of changing the voltage please call your vendor or authorized RCF SERVICE CENTRE. This operation requires the replacement of the fuse value and is reserved to an RCF SERVICE CENTRE.

BEFORE TURNING ON THE SPEAKER

You can now connect the power supply cable and the signal cable. Before turning on the speaker make sure the volume control is at the minimum level (even on the mixer output). It is important that the mixer is already ON before turning on the speaker. This will avoid damages to the speaker and noisy "bumps" due to turning on parts on the audio chain. It is a good practice to always turn on the speakers at last and turning them off immediately after their use. You can now turn ON the speaker and adjust the volume control to a proper level.

PROTECTIONS

These RCF active speakers are equipped with a complete system of protection circuits. The circuit is acting very gently on audio signal, controlling level and maintaining distortion at acceptable level.

VOLTAGE SETUP (RESERVED TO THE RCF SERVICE CENTRE)

220-240 Volt, 50 Hz SETUP: FUSE VALUE T3,15 A - 250V

110-120 Volt, 60 Hz SETUP: FUSE VALUE T6,30 A - 250V

THE SPEAKER DOESN'T TURN ON

Make sure the speaker is switched on and connected to an active AC power

THE SPEAKER IS CONNECTED TO AN ACTIVE AC POWER BUT DOESN'T TURN ON

Make sure the power cable is intact and connected correctly.

THE SPEAKER IS ON BUT DOESN'T MAKE ANY SOUND

Check if the signal source is sending correctly and if the signal cables are not damaged.

THE SOUND IS DISTORTED AND THE OVERLOAD LED BLINKS FREQUENTLY

Turn down the output level of the mixer.

THE SOUND IS VERY LOW AND HISSING

The source gain or the output level of the mixer might be too low.

THE SOUND IS HISSING EVEN AT PROPER GAIN AND VOLUME

The source might send a low quality or noisy signal

HUMMING OR BUZZING NOISE






Check out the AC grounding and all the equipments connected to the mixer input including cables and connectors.



WARNING! to reduce the risk of electric shock, do not disassemble this product unless you are qualified. Refer servicing to qualified service personnel.

1. AVVERTENZE PER LA SICUREZZA E INFORMAZIONI GENERALI

I simboli utilizzati in questo documento notificano importanti istruzioni operative e avvertimenti che devono essere seguiti attentamente.

	CAUTELE	Importante istruzione operativa: notifica un pericolo che potrebbe danneggiare il prodotto, compresa la perdita di dati
	ATTENZIONE	Avvertimento importante riguardante l'uso di voltaggi pericolosi e il potenziale rischio di shock elettrico, lesioni personali o morte.
	NOTE IMPORTANTI	Informazioni utili e rilevanti sull'argomento
	SUPPORTI, TROLLEY E CARRRELLI	Informazioni riguardanti l'utilizzo di supporti, trolley e carrelli. Suggerisce di muovere con estrema cautela e di non inclinare il carico.
	SMALTIMENTO	Questo simbolo indica che il prodotto non deve essere smaltito con i rifiuti ordinari, così come indicato nella direttiva WEEE (2012/19/EU) e nelle normative nazionali in vigore.

NOTE IMPORTANTI

Questo manuale contiene informazioni importanti sull'uso corretto e sicuro del dispositivo. Prima di collegare e utilizzare questo prodotto, leggere attentamente questo manuale di istruzioni e tenerlo a portata di mano per riferimenti futuri. Il manuale deve essere considerato parte integrante di questo prodotto e deve accompagnarlo in caso di cambio proprietà come riferimento per la corretta installazione e utilizzo nonché per le precauzioni di sicurezza. RCF S.p.A. non si assume alcuna responsabilità per l'installazione e / o l'uso errati di questo prodotto.

PRECAUZIONI DI SICUREZZA

1. Tutte le precauzioni, in particolare quelle di sicurezza, devono essere lette con particolare attenzione, in quanto forniscono informazioni importanti.

2. Alimentazione principale da rete elettrica

- La tensione di rete è sufficientemente elevata da comportare un rischio di folgorazione; installare e collegare questo prodotto prima di collegarlo.
- Prima di accendere, assicurarsi che tutti i collegamenti siano stati eseguiti correttamente e che la tensione della rete corrisponda alla tensione indicata sulla targhetta dei dati sull'unità, in caso contrario, contattare il rivenditore RCF.
- Le parti metalliche dell'unità sono messe a terra attraverso il cavo di alimentazione. Un apparecchio con costruzione di CLASSE I deve essere collegato a una presa di corrente con un collegamento di terra di protezione.
- Proteggere il cavo di alimentazione da danni; assicurarsi che sia posizionato in modo tale da non poter essere calpestato o schiacciato da oggetti.
- Per evitare il rischio di scosse elettriche, non aprire mai questo prodotto: non sono previste parti interne alle quali l'utente debba accedere.
- Fare attenzione: nel caso di un prodotto provvisto solo di connettori POWERCON e senza cavo di alimentazione, congiuntamente ai connettori POWERCON tipo NAC3FCA (alimentazione) e NAC3FCB (alimentazione), devono essere usati i seguenti cavi di alimentazione conformi alla norma nazionale:
 - EU: cavo di tipo H05VV-F 3G 3x2.5 mm² - Standard IEC 60227-1
 - JP: cavo di tipo VCTF 3x2 mm²; 15Amp/120V~ - Standard JIS C3306
 - US: cavo di tipo SJT/SJO 3x14 AWG; 15Amp/125V~ - Standard ANSI/UL 62

3. Assicurarsi che nessun oggetto o liquido penetri in questo prodotto poiché ciò potrebbe causare un corto circuito. Questo apparecchio non deve essere esposto a gocciolamenti o spruzzi. Nessun oggetto riempito di liquido, come vasi, deve essere posizionato su questo apparecchio. Nessuna fiamma libera (come candele accese) deve essere posizionata su questo apparecchio.

4. Non tentare mai di eseguire operazioni, modifiche o riparazioni non espressamente descritte nel presente manuale.

Contattare il centro di assistenza autorizzato o personale qualificato qualora si verifichi una delle seguenti condizioni:

- **Il prodotto non funziona (o funziona in modo anomalo).**
- **Il cavo di alimentazione è stato danneggiato.**
- **Oggetti o liquidi sono entrati nell'unità.**
- **Il prodotto ha subito un forte urto.**

5. Se questo prodotto non viene utilizzato per un lungo periodo, scollegare il cavo di alimentazione.

6. Se questo prodotto inizia a emettere strani odori o fumo, spegnerlo immediatamente e scollegare il cavo di alimentazione.

7. Non collegare questo prodotto ad apparecchiature o accessori non previsti.

Per l'installazione sospesa, utilizzare solo i punti di ancoraggio dedicati e non tentare di appendere questo prodotto utilizzando elementi non idonei o non specifici per questo scopo. Verificare inoltre l'idoneità della superficie di supporto a cui è ancorato il prodotto (parete, soffitto, struttura, ecc.) a dei componenti utilizzati per il fissaggio (tasselli, viti, staffe non fornite da RCF ecc.) che devono garantire sicurezza del sistema / installazione nel tempo, anche considerando, ad esempio, le vibrazioni meccaniche normalmente generate dai trasduttori.

Per evitare il rischio di caduta dell'apparecchiatura, non impilare più unità di questo prodotto a meno che questa possibilità non sia specificata nel manuale dell'utente.

8.RCF S.p.A. raccomanda vivamente che questo prodotto sia installato solo da installatori professionisti qualificati (o aziende specializzate) che possono garantire la corretta installazione e certificarlo secondo le normative vigenti.

L'intero sistema audio deve essere conforme agli standard e alle normative vigenti in materia di sistemi elettrici.

9. Supporti, trolley e carrelli.



L'apparecchiatura deve essere utilizzata, ove necessario, solo su supporti, trolley e carrelli consigliati dal produttore. L'apparecchiatura / supporto / carrello deve essere spostata con estrema cautela. Arresti improvvisi, eccessiva spinta e pavimenti irregolari possono causarne il ribaltamento. Non inclinare mai.

10. Vi sono numerosi fattori meccanici ed elettrici da considerare quando si installa un sistema audio professionale (oltre a quelli strettamente acustici, come la pressione del suono, gli angoli di copertura, la risposta in frequenza, ecc.).

11. Perdita dell'udito.

L'esposizione a livelli sonori elevati può causare la perdita permanente dell'udito. Il livello di pressione acustica che porta alla perdita dell'udito è diverso da persona a persona e dipende dalla durata dell'esposizione. Per prevenire un'esposizione potenzialmente pericolosa a livelli elevati di pressione acustica, chiunque sia esposto a questi livelli dovrebbe usare adeguati dispositivi di protezione. Quando viene utilizzato un trasduttore in grado di produrre alti livelli sonori, è quindi necessario indossare tappi per le orecchie o cuffie protettive. Vedere le specifiche tecniche del manuale per conoscere il livello massimo di pressione sonora.

PRECAUZIONI OPERATIVE

- Posizionare questo prodotto lontano da qualsiasi fonte di calore e garantire sempre un'adeguata circolazione dell'aria attorno ad esso.
- Non sovraccaricare questo prodotto per molto tempo.
- Non forzare mai gli elementi di controllo (tasti, manopole, ecc.).
- Non utilizzare solventi, alcool, benzene o altre sostanze volatili per pulire le parti esterne di questo prodotto.

NOTE IMPORTANTI

Per evitare la verificarsi di disturbi sui cavi di segnale in linea, utilizzare solo cavi schermati ed evitare di avvicinarli a:

- **Apparecchiature che producono campi elettromagnetici ad alta intensità**
- **Cavi di alimentazione**
- **Linee di altoparlanti**



ATTENZIONE! CAUTELA! Per evitare il rischio di incendi o scosse elettriche, non esporre mai questo prodotto a pioggia o umidità.



ATTENZIONE! Per evitare il rischio di scosse elettriche, non collegare all'alimentazione di rete mentre la griglia è rimossa.



WARNING! Per ridurre il rischio di scosse elettriche, non smontare questo prodotto se non si è qualificati. Per l'assistenza rivolgersi a personale di assistenza qualificato

SMALTIMENTO CORRETTO DI QUESTO PRODOTTO



Questo prodotto deve essere consegnato a un sito di raccolta autorizzato per il riciclaggio di apparecchiature elettriche ed elettroniche (AEE). Una manipolazione impropria di questo tipo di rifiuti potrebbe avere un possibile impatto negativo sull'ambiente e sulla salute umana a causa di sostanze potenzialmente pericolose che sono generalmente associati alle AEE. Allo stesso tempo, la vostra collaborazione per il corretto smaltimento di questo prodotto contribuirà all'utilizzo efficace delle risorse naturali. Per ulteriori informazioni su dove sia possibile scaricare le attrezzature per il riciclaggio, si prega di contattare l'ufficio comunale locale, l'autorità competente per i rifiuti o il servizio di smaltimento dei rifiuti domestici .

CURA E MANUTENZIONE

Per garantire un servizio di lunga durata, questo prodotto deve essere utilizzato seguendo questi consigli:

- Se il prodotto deve essere installato all'aperto, assicurarsi che sia coperto e protetto da pioggia e umidità.
- Se il prodotto deve essere utilizzato in un ambiente freddo, riscaldare lentamente le bobine vocali inviando un segnale di basso livello per circa 15 minuti prima di inviare segnali ad alta potenza.
- Utilizzare sempre un panno asciutto per pulire le superfici esterne dell'altoparlante e farlo sempre quando l'alimentazione è spenta



CAUTELA! Per evitare di danneggiare le finiture esterne non utilizzare solventi per la pulizia o abrasivi.



ATTENZIONE! CAUTELA! Per gli altoparlanti alimentati, eseguire la pulizia solo quando l'alimentazione è spenta.

RCF S.p.A. si riserva il diritto di apportare modifiche senza preavviso per rettificare eventuali errori e/o omissioni.

Fare sempre riferimento all'ultima versione del manuale su www.rcf.it.

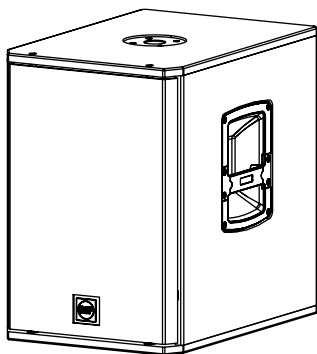
SUB 7 MK3 - SUBWOOFER ATTIVO PROFESSIONALE

Evoluzione tecnologica, rivoluzione nel suono.

Il team RCF ha sempre i desideri dei propri clienti come primo obiettivo di ogni progetto, creando nuove linee di casse acustiche con caratteristiche rinnovate, sempre migliori definizione e chiarezza del suono, pesi sempre più contenuti. Ogni dettaglio della SUB Series è stato attentamente studiato per offrire a musicisti e professionisti strumenti perfetti per amplificare le proprie performances, serata dopo serata. Materiali di alta qualità, lavorazioni di precisione, cura nell'assemblaggio e controlli di qualità estesi completano l'incredibile lavoro del team R&D di RCF. Risultati di eccellenza sono ottenuti grazie all'esperienza, il know how distribuito e standard produttivi estremamente elevati. Tutti i trasduttori della SUB Series sono dotati di magneti ad alta energia per una perfetta performance e per offrire il massimo dell'affidabilità. I Subwoofer Sub Series sono equipaggiati con un amplificatore Class-D di nuova generazione da 1400 Watt. Questi speakers sono dotati della tecnologia Bass Motion Control che è in grado di gestire le frequenze più basse udibili senza influire sulla stabilità del trasduttore, fornendo così una linearità estesa e una migliore integrità sonora. Il risultato sono una pressione acustica elevatissima, distorsioni bassissime ed un suono incredibilmente naturale.

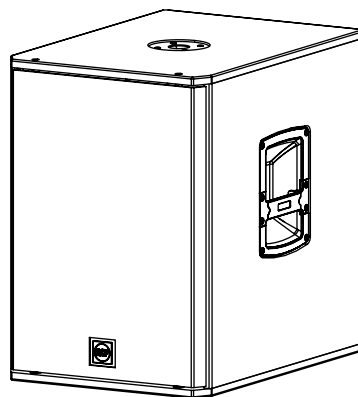
Ogni amplificatore presenta ingressi bilanciati stereo XLR, link di uscita XLR, controllo di volume un tasto di selezione dell'uscita crossover ed un tasto di selezione della frequenza di crossover out (80 Hz / 110 Hz).L'amplificatore è dotato di una robusta struttura di alluminio che non solo lo rende robusto durante il trasporto e gli urti ma assiste la dissipazione termica.

Il nuovo design della Sub Series risulta aggressivo pur mantenendo caratteristiche ergonomiche familiari ed è il risultato di estese ricerche sia acustiche che funzionali. I mobili sono costruiti in multistrato e sono progettati in modo da smorzare le vibrazioni della struttura anche ai massimi volumi. I condotti reflex sono stati riprogettati per offrire una maggior efficienza. Il cabinet è dotato di 2 maniglie, dal design ergonomico, tutte con inserto in gomma. Su tutti i modelli è presente un inserto a tazza in acciaio per l'installazione del diffusore satellite.



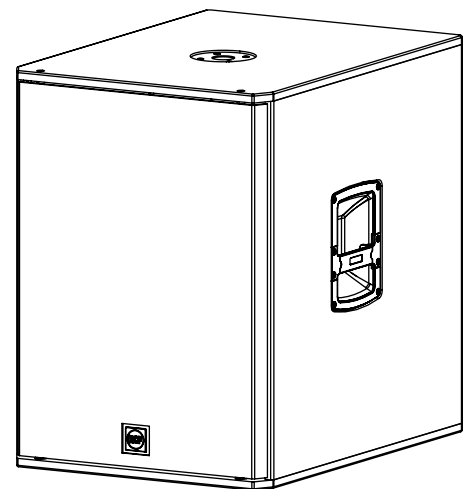
SUB 702-AS MK3

1400 Watt
12" Woofer
18,2 Kg (40,12 lbs)



SUB 705-AS MK3

1400 Watt
15" Woofer
28,6 Kg (63,05 lbs)

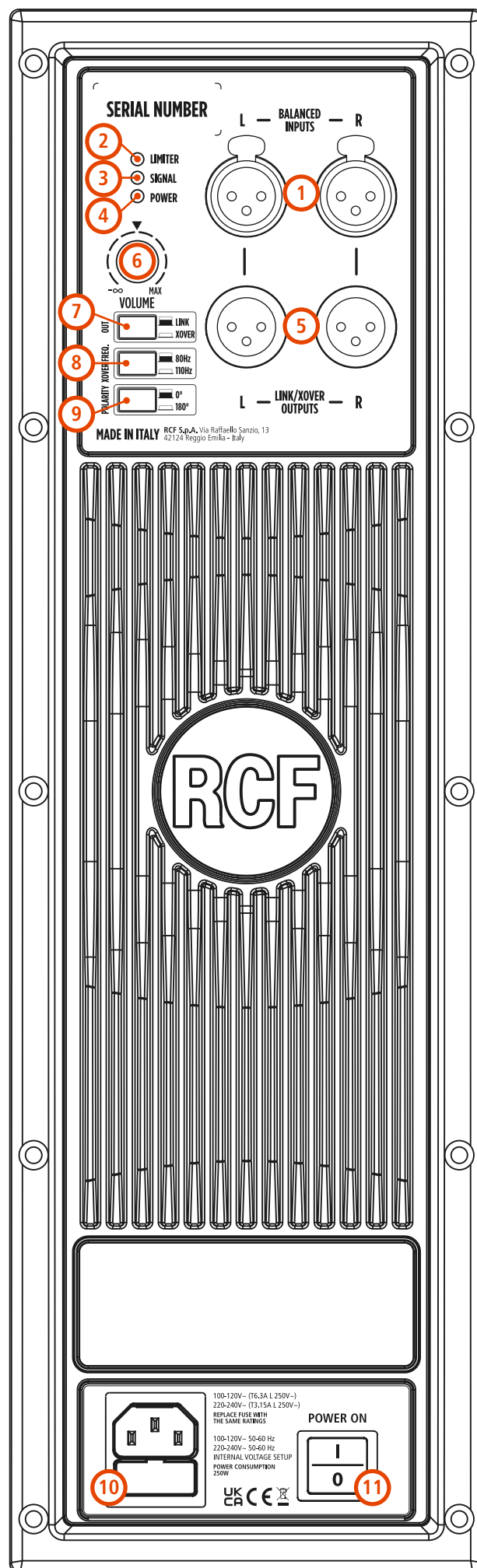


SUB 708-AS MK3

1400 Watt
18" Woofer
37,6 Kg (82,89 lbs)

3. PANNELLO POSTERIORE - FUNZIONI E CONTROLLI

- 1 **INGRESSO XLR (BILANCIATO)**
- 2 **LED DI ATTIVAZIONE DEL LIMITER** L'amplificatore è dotato di un circuito di limiter in modo da prevenire il clipping dell'amplificatore o di sovraccaricare gli altoparlanti. Quando il circuito di soft clipping è attivo il LED lampeggia con colore ARANCIONE. È accettabile che il LED lampeggi occasionalmente. Se il LED lampeggia frequentemente o si accende di continuo ridurre il segnale in ingresso.
- 3 **LED DI PRESENZA DEL SEGNALE** Il LED di segnale si accende con colore VERDE se è presente segnale audio all'ingresso XLR.
- 4 **LED DI ACCENSIONE** Il LED verde è acceso quando il diffusore è alimentato e il commutatore di accensione è nella posizione ON.
- 5 **USCITA SEGNALE XLR MASCHIO** Il connettore XLR di loop del segnale permette la connessione a catena di più diffusori.
- 6 **CONTROLLO DI LIVELLO** Varia il volume del diffusore.
- 7 **PULSANTE LINK/XOVER OUT** Il collegamento del segnale LINK di uscita è diretto (flat) nel caso in cui il pulsante sia rilasciato o passa-alto (crossoverato) nel caso in cui il pulsante sia premuto.
- 8 **PULSANTE XOVER** Questo pulsante permette la selezione della frequenza di crossover con il satellite impostandola ad 80 Hz oppure a 110 Hz.
- 9 **PULSANTE PHASE** Questo pulsante inverte la fase del segnale in uscita.
- 10 **VASCHETTA IEC DEI CONNETTORI DI ALIMENTAZIONE** Presa ingresso per il cavo di rete.
- 11 **INTERRUTTORE GENERALE** L'interruttore generale permette l'accensione e lo spegnimento dell'apparecchio una volta che questo sia collegato alla rete di alimentazione.



ATTENZIONE! CAUTELA! I collegamenti dei diffusori devono essere effettuati solo da personale qualificato ed esperto in possesso del know-how tecnico o di istruzioni specifiche sufficienti (per garantire che i collegamenti siano effettuati correttamente) al fine di prevenire qualsiasi pericolo elettrico.

Per evitare qualsiasi rischio di scossa elettrica, non collegare altoparlanti quando l'amplificatore è acceso.

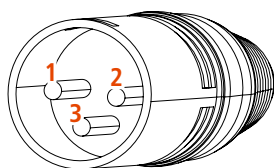
Prima di accendere il sistema, controllare tutti i collegamenti e assicurarsi che non vi siano cortocircuiti accidentali.

L'intero sistema di diffusione sonora deve essere progettato e installato in conformità con le leggi e le normative locali vigenti in materia di impianti elettrici.

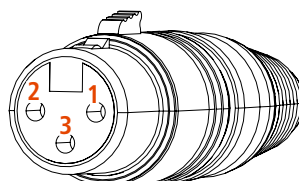
4. CONNESSIONI

I connettori di ingresso XLR devono essere cablati secondo lo standard AES (Audio Engineering Society):

CONNETTORE MASCHIO XLR Connessione bilanciata



CONNETTORE FEMMINA XLR Connessione bilanciata



PIN 1 = TERRA (GROUND; SHIELD)
PIN 2 = LATO CALDO (HOT; +)
PIN 3 = LATO FREDDO (COLD; -)

PRIMA DI CONNETTERE IL DIFFUSORE

Sul pannello posteriore si trovano tutti i controlli e gli ingressi di segnale e di alimentazione. Per sicurezza verificare sempre l'etichetta di tensione applicata al pannello posteriore (115 Volt o 230 Volt). L'etichetta indica la giusta tensione. Se è indicato un voltaggio errato o se non è possibile localizzare l'etichetta, chiamare il proprio rivenditore o il CENTRO DI ASSISTENZA RCF autorizzato prima di collegare il diffusore. Questo rapido controllo eviterà qualsiasi danno.

PRIMA DI ACCENDERE IL DIFFUSORE

A questo punto è possibile inserire il connettore di alimentazione e il connettore di segnale. Prima di accendere il diffusore assicurarsi che il controllo del volume sia al minimo sia sul diffusore che sulla sorgente sonora collegata al diffusore (generalmente un mixer); è importante anche che il mixer sia già acceso al momento in cui viene acceso il diffusore a lui collegato. Queste due precauzioni eviteranno di causare danni al diffusore stesso dovute a fastidiosi "bump" causati dall'accensione delle apparecchiature audio a monte dei diffusori. È buona regola che i diffusori amplificati e gli amplificatori in genere siano sempre le ultime apparecchiature ad essere accese dopo il montaggio e le prime ad essere spente alla fine dello spettacolo. Ora è possibile accendere il diffusore e alzare il controllo di livello a seconda delle necessità.

PROTEZIONI

Questi diffusori RCF sono dotati di un sistema completo di circuiti di protezione. Il circuito agisce molto delicatamente sul segnale audio, controllando il livello e mantenendo la distorsione a un livello accettabile.

SELEZIONE DELLA TENSIONE DI ALIMENTAZIONE (RISERVATO AI CENTRI SERVIZIO RCF)

220-240 Volt, 50 Hz SETUP: FUSE VALUE T3,15 A - 250V

110-120 Volt, 60 Hz SETUP: FUSE VALUE T6,30 A - 250V

IL DIFFUSORE NON SI ACCENDE

Assicurarsi che il diffusore sia acceso e collegato a un'alimentazione attiva.

IL DIFFUSORE È COLLEGATO A UN'ALIMENTAZIONE ATTIVA MA NON SI ACCENDE

Verificare che il cavo di alimentazione sia integro e collegato correttamente.

IL DIFFUSORE È ACCESO MA NON EMETTE ALCUN SUONO

Verificare che la sorgente stia inviando il segnale correttamente e che i cavi di segnale non siano danneggiati.

IL SUONO È DISTORTO E IL LED SOVRACCARICO LAMPEGGIA FREQUENTEMENTE

Abbassare il livello di uscita del mixer.

IL SUONO È MOLTO BASSO E CON PRESENZA DI FRUSCIO

Il guadagno della sorgente o il livello di uscita del mixer potrebbero essere troppo bassi.

SI SENTE UN FRUSCIO ANCHE CON VOLUME E GUADAGNO CORRETTI

La sorgente potrebbe inviare un segnale di bassa qualità o rumoroso

IL DIFFUSORE EMETTE UN RONZIO CONTINUO






Controllare la messa a terra sia del diffusore che di tutte le apparecchiature collegate all'ingresso del mixer.
Controllare cavi e connettori.



ATTENZIONE! Per ridurre il rischio di scosse elettriche, non smontare questo prodotto a meno che non si sia qualificati.
Per l'assistenza, rivolgersi a personale di assistenza qualificato.

1. MESURES DE SÉCURITÉ ET INFORMATIONS GÉNÉRALES

Les symboles utilisés dans ce document signalent des instructions d'utilisation et des avertissements importants qui doivent être strictement respectés.

	ATTENTION	Instructions d'utilisation importantes : explique les situations où le produit pourrait subir des dommages, y compris la perte de données
	AVERTISSEMENT	Conseil important à propos de l'utilisation de tensions dangereuses et le risque potentiel d'électrisation, de blessure ou de mort.
	REMARQUES IMPORTANTES	Informations utiles et pertinentes sur le sujet
	SUPPORTS, CHARIOTS ET DIABLES	Informations sur l'utilisation de supports, de chariots et de diables. Rappel que le transport de l'enceinte doit s'effectuer avec une extrême prudence, sans jamais l'incliner.
	ÉLIMINATION DES DÉCHETS	Ce symbole indique que ce produit ne doit pas être éliminé avec vos déchets ménagers, conformément à la directive DEEE (2012/19/UE) et à votre législation nationale.

REMARQUES IMPORTANTES

Ce manuel contient des informations importantes pour utiliser correctement l'appareil, en toute sécurité. Avant de brancher et d'utiliser ce produit, veuillez lire attentivement ce manuel d'instructions et le garder à portée de main pour le consulter ultérieurement. Le manuel doit être considéré comme faisant partie intégrante de ce produit et doit l'accompagner lorsqu'il change de propriétaire, afin qu'il serve de référence pour une installation et une utilisation correctes ainsi que pour les précautions de sécurité. RCF S.p.A. n'assumera aucune responsabilité en cas d'installation et/ou d'utilisation incorrecte de ce produit.

PRÉCAUTIONS DE SÉCURITÉ

1. Toutes les précautions, en particulier celles relatives à la sécurité, doivent être lues avec une attention particulière, car elles offrent des informations importantes.

2. Alimentation depuis le secteur

- La tension du secteur est suffisamment élevée pour entraîner un risque d'électrisation. Installez et connectez ce produit avant de le brancher.
- Avant de mettre l'appareil sous tension, assurez-vous que toutes les connexions ont été effectuées correctement et que la tension du secteur correspond à celle indiquée sur la plaque signalétique de l'appareil. Si ce n'est pas le cas, veuillez contacter votre revendeur RCF.
- Les parties métalliques de l'appareil sont mises à la terre par le câble d'alimentation. Un appareil avec une construction de CLASSE I doit être relié à une prise de courant équipée d'une mise à la terre.
- Protégez le câble d'alimentation contre les dommages. Assurez-vous qu'il est placé de manière à ce qu'on ne puisse pas marcher dessus ou l'écraser avec des objets.
- Pour éviter tout risque d'électrisation, n'ouvrez jamais ce produit : il n'y a aucune pièce à l'intérieur à laquelle l'utilisateur a besoin d'accéder.
- Faites attention : dans le cas d'un produit fourni par le fabricant uniquement avec des connecteurs POWERCON et sans câble d'alimentation, les câbles d'alimentation suivants conformes à la norme nationale doivent être utilisés, avec des connecteurs POWERCON de type NAC3FCA (entrée) et NAC3FCB (sortie) :
 - UE : câble de type H05VV-F 3G 3x2,5 mm² - Norme CEI 60227-1
 - JP : câble de type VCTF 3x2 mm²; 15 Amp/120 V~ - Norme JIS C3306
 - US : câble de type SJT/SJTO 3x14 AWG; 15 Amp/125 V~ - Norme ANSI/UL 62

3. Assurez-vous qu'aucun objet ou liquide ne peut pénétrer dans ce produit, cela pourrait provoquer un court-circuit. Cet appareil ne doit pas être exposé à des gouttes ou à des éclaboussures. Aucun objet rempli d'un liquide, comme un vase, ne doit être placé sur cet appareil. Aucune flamme nue (telle que des bougies allumées) ne doit être placée sur cet appareil.

4. N'essayez jamais d'effectuer des modifications, des réparations ou de faire fonctionner l'appareil d'une manière qui ne sont pas expressément décrites dans ce manuel.

Contactez votre centre de service agréé ou un personnel qualifié si l'un des cas suivants se produit :

- **Le produit ne fonctionne pas (ou fonctionne de manière anormale).**
- **Le câble d'alimentation a été endommagé.**
- **Des objets ou des liquides ont pénétré dans l'appareil.**
- **Le produit a subi à un gros choc.**

5. Si ce produit n'est pas utilisé pendant une longue période, débranchez le câble d'alimentation.

6. Si ce produit commence à émettre des odeurs inhabituelles ou de la fumée, éteignez-le immédiatement et débranchez le câble d'alimentation.

7. Ne connectez pas ce produit à des équipements ou accessoires qui ne sont pas prévus à cet effet.

Pour une exploitation en accroche, utilisez uniquement les points d'ancrage prévus à cet effet et n'essayez pas de suspendre ce produit en utilisant des éléments inadaptés ou non spécifiquement adaptés à cet usage. Vérifier également la compatibilité de la surface à laquelle le produit est accroché (mur, plafond, structure, etc.), et des composants utilisés pour la fixation (chevilles, vis, supports non fournis par RCF, etc.), qui doivent garantir la sécurité du système / de l'installation sur la durée, en tenant compte également, par exemple, des vibrations mécaniques normalement générées par les haut-parleurs.

Pour éviter tout risque de chute de matériel, n'empilez pas plusieurs unités de ce produit, sauf si cette possibilité est spécifiée dans le manuel d'utilisation.

8. RCF S.p.A. recommande vivement que ce produit soit installé uniquement par des intégrateurs professionnels qualifiés (ou des entreprises spécialisées) qui pourront garantir une installation correcte et la certifier selon les normes en vigueur.

L'ensemble du système audio doit être conforme aux normes et réglementations en vigueur concernant les systèmes électriques.

9. Supports, chariots et diables.



Ce matériel ne doit être utilisé que sur des supports, des chariots et des diables, le cas échéant, qui sont recommandés par le fabricant.

L'ensemble équipement/support/chariot/diable doit être déplacé avec une extrême prudence. Les arrêts soudains, une force de poussée excessive et des sols irréguliers peuvent provoquer le basculement de l'ensemble. Ne jamais incliner l'ensemble.

10. De nombreux facteurs mécaniques et électriques doivent être pris en compte lors de l'installation d'un système audio professionnel (en plus des critères strictement acoustiques, comme la pression acoustique, les angles de couverture, la réponse en fréquence, etc.).

11. Perte de l'audition.

L'exposition à des niveaux sonores élevés peut entraîner une perte auditive permanente. Le niveau de pression acoustique entraînant une perte d'audition est différent d'une personne à l'autre, et dépend de la durée d'exposition. Pour éviter un cumul potentiellement dangereux de niveaux élevés de pression acoustique, toute personne exposée doit utiliser des dispositifs de protection adéquats. Lorsqu'un haut-parleur capable de produire des niveaux sonores élevés est utilisé, il est nécessaire de porter des bouchons d'oreille ou un casque anti-bruit. Consultez les caractéristiques techniques du manuel pour connaître le niveau de pression acoustique maximal.

PRÉCAUTIONS D'UTILISATION

- Placez ce produit loin de toute source de chaleur et assurez toujours une circulation d'air adéquate tout autour.
- N'utilisez pas ce produit en surcharge pendant une longue période.
- Ne forcez jamais les éléments de contrôle (touches, boutons, etc.).
- N'utilisez pas de solvants, d'alcool, de benzène ou d'autres substances volatiles pour nettoyer les parties externes de ce produit.



REMARQUES IMPORTANTES

Pour éviter l'apparition de bruit sur les câbles de signaux ligne, utilisez uniquement des câbles blindés et évitez de les placer à proximité :

- d'un équipement produisant des champs électromagnétiques de haute intensité
- de câbles secteur
- de lignes d'alimentation d'enceintes



AVERTISSEMENT ! ATTENTION ! Pour éviter tout risque d'incendie ou d'électrisation, n'exposez jamais ce produit à la pluie ou à l'humidité.



AVERTISSEMENT ! Pour éviter tout risque d'électrisation, ne pas brancher l'appareil sur le secteur la grille est retirée



AVERTISSEMENT ! Pour réduire le risque d'électrisation, ne démontez pas ce produit à moins de posséder les qualifications requises. Pour les réparations, adressez-vous à un professionnel qualifié.

ÉLIMINATION CORRECTE DE CE PRODUIT



Ce produit doit être remis à un site de collecte agréé pour le recyclage des déchets d'équipements électriques et électroniques (EEE). Une manipulation incorrecte de ce type de déchets pourrait avoir un impact négatif sur l'environnement et la santé humaine en raison de la présence de substances potentiellement dangereuses généralement associés aux EEE. En même temps, votre coopération dans l'élimination correcte de ce produit contribuera à l'utilisation efficace des ressources naturelles. Pour plus d'informations sur les endroits où vous pouvez déposer vos équipements usagés pour le recyclage, veuillez contacter votre municipalité ou l'autorité chargée des déchets ou votre service d'élimination des déchets ménagers.

ENTRETIEN ET MAINTENANCE

Pour garantir une longue durée de vie, voici quelques conseils pour utiliser ce produit :

- Si le produit est destiné à être installé à l'extérieur, assurez-vous qu'il est sous abri et protégé de la pluie et de l'humidité.
- Si le produit doit être utilisé dans un environnement froid, réchauffez lentement les bobines des haut-parleurs en envoyant un signal de faible niveau pendant environ 15 minutes avant d'envoyer des signaux de forte puissance.
- Utilisez toujours un chiffon sec pour nettoyer les surfaces extérieures de l'enceinte et faites-le toujours lorsque l'appareil est éteint.



ATTENTION : pour éviter d'endommager les finitions extérieures, n'utilisez pas de solvants, ni de produits abrasifs.



AVERTISSEMENT ! ATTENTION ! Pour les enceintes amplifiées, effectuez le nettoyage uniquement lorsque l'alimentation est coupée.

RCF S.p.A. se réserve le droit d'apporter des modifications sans préavis afin de rectifier toute erreur et/ou omission.

Consultez toujours la dernière version du manuel sur www.rcf.it.

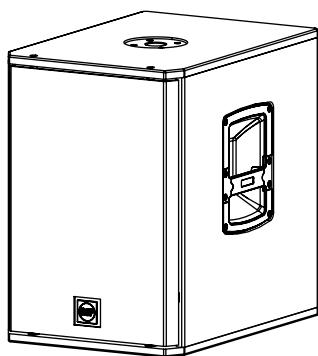
SUB 7 MK3 - SUBWOOFER ACTIF PROFESSIONNEL

Évolution technologique, révolution dans le son.

Pour les équipes de RCF, les besoins de l'artiste sont toujours essentiels lorsqu'il s'agit de créer de nouvelles lignes d'enceintes : fonctionnalités remises à niveau, clarté et définition du son améliorées, avec des systèmes encore plus légers. Chaque détail de la Série Sub a été soigneusement étudié pour offrir aux musiciens amateurs et professionnels l'outil parfait pour sonoriser leurs concerts, soir après soir. Des matériaux de haute qualité, une fabrication précise, un assemblage minutieux et de nombreuses procédures de contrôle qualité complètent le travail de conception innovant de l'équipe R&D de RCF.

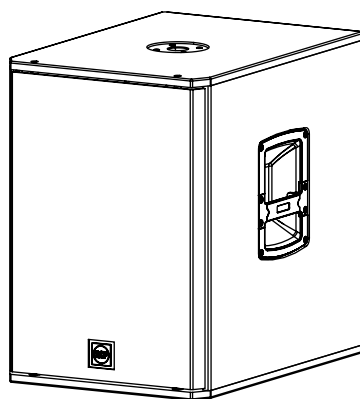
Tous les haut-parleurs sont fabriqués avec soin, en s'appuyant sur les technologies avancées d'assemblage et moulage de RCF, et sur tous nos savoirs et notre expérience afin d'atteindre les plus hauts standards. Tous les haut-parleurs des Série Sub sont équipés d'aimants haute puissance garantissant les meilleures performances et une excellente tenue en puissance.

Les subwoofers Série Sub intègrent de nouveaux amplificateurs de Classe D d'une puissance de 1400 W. Résultat : un niveau de pression très élevé, une distorsion extrêmement faible et un son incroyablement naturel. Chaque amplificateur possède des entrées symétriques stéréo XLR, un renvoi stéréo sur XLR, un réglage de volume et un crossover commutable (80 Hz / 110 Hz). L'amplificateur est assemblé sur une robuste structure en aluminium qui non seulement le renforce pendant le transport, mais contribue aussi à dissiper la chaleur produite. Le nouveau design de l'enceinte est énergique tout en conservant une ergonomie parfaite. C'est le résultat d'une recherche approfondie alliant fonctionnalité et acoustique. Les coffrets des subwoofers Série Sub sont fabriqués en contreplaqué et sont conçus pour amortir les vibrations, même au volume le plus élevé. L'évent bass-reflex a été redimensionné, pour une meilleure efficacité. Le coffret est équipé de 2 poignées latérales ergonomiques recouvertes de caoutchouc. Le dessus de tous les modèles accueille une robuste embase de pied en acier.



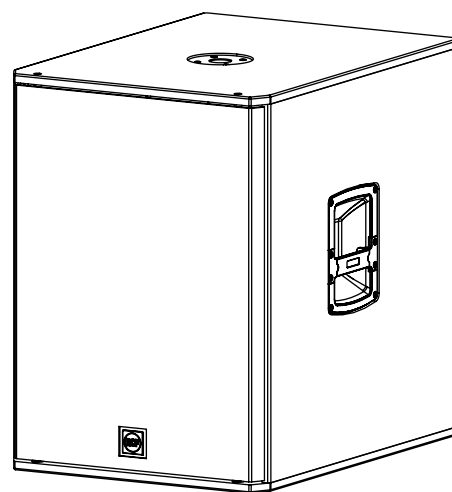
SUB 702-AS MK3

1400 Watt
12" Woofer
18,2 Kg (40,12 lbs)



SUB 705-AS MK3

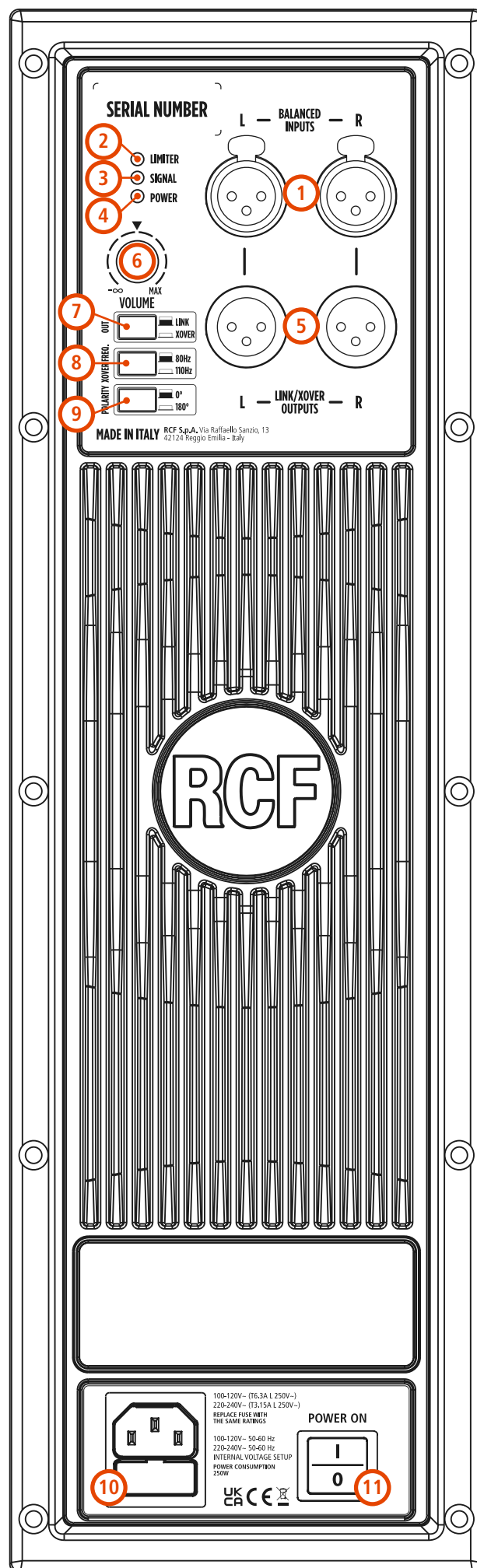
1400 Watt
15" Woofer
28,6 Kg (63,05 lbs)




SUB 708-AS MK3

1400 Watt
18" Woofer
37,6 Kg (82,89 lbs)

- 1 **ENTRÉES XLR STÉRÉO FEMELLES (SYM)**
- 2 **LED DU LIMITEUR** L'amplificateur possède un limiteur intégré, évitant tout écrêtage de l'amplificateur ou toute surcharge du haut-parleur. Lorsque le circuit d'écrêtage doux est actif, la LED clignote en orange. Pas de problème si la LED clignote de temps en temps. Si la LED clignote fréquemment ou en continu, baissez le niveau du signal.
- 3 **LED DE SIGNAL** La LED de signal s'allume en vert dès que de l'audio est présent sur les entrées XLR principales.
- 4 **LED D'ALIMENTATION** Cette LED verte est allumée lorsque le subwoofer est connecté au secteur et que le bouton ON/OFF se trouve en position ON
- 5 **SORTIE SIGNAL/XOVER SUR XLR MÂLE** Les connecteurs XLR de sortie fournissent un renvoi du signal d'entrée pour connexion en chaîne de plusieurs enceintes (ou un signal filtré lorsque le commutateur crossover est enfoncé).
- 6 **CONTRÔLE DU VOLUME** Règle le volume de l'amplificateur.
- 7 **COMMUTATEUR DE SORTIE LINK/XOVER** Lorsque le commutateur est désactivé, aucun filtrage n'intervient sur la sortie (le signal de sortie est identique au signal d'entrée) ; lorsque le commutateur est activé, le signal subit un filtrage passe-haut (pour connecter des enceintes satellites).
- 8 **COMMUTATEUR DE XOVER** Ce commutateur permet de régler la fréquence de crossover du SIGNAL DE SORTIE à 80 Hz ou 110 Hz.
- 9 **COMMUTATEUR DE PHASE** Ce commutateur inverse la phase du signal de sortie
- 10 **EMBASES D'ALIMENTATION CEI** L'embase aux normes CEI fournit la connexions pour le câble d'alimentation.
- 11 **INTERRUPTEUR D'ALIMENTATION** L'interrupteur permet d'allumer et d'éteindre l'alimentation électrique.



 **AVERTISSEMENT ! ATTENTION !** Les connexions des enceintes doivent être effectués par un personnel qualifié et expérimenté disposant du savoir-faire technique ou d'instructions suffisamment précises (pour s'assurer que les raccordements sont effectués correctement) afin d'éviter tout danger électrique.

Pour éviter tout risque d'électrisation, ne connectez pas les enceintes lorsque l'amplificateur est sous tension.

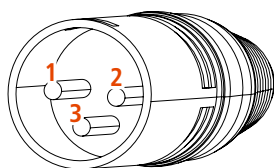
Avant de mettre le système sous tension, vérifiez toutes les connexions et assurez-vous qu'il n'y a pas de court-circuit accidentel.

L'ensemble du système de sonorisation doit être conçu et installé en conformité avec les lois et règlements locaux en vigueur concernant les systèmes électriques.

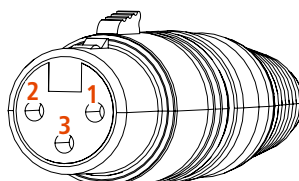
4. CONNEXIONS

Les connecteurs doivent être raccordés conformément aux normes spécifiées par l'AES (Audio Engineering Society).

CONNECTEUR XLR MÂLE Raccordement symétrique



CONNECTEUR XLR FEMELLE Raccordement symétrique



BROCHE 1 = TERRE (MASSE)
BROCHE 2 = CHAUD (+)
BROCHE 3 = FROID (-)

AVANT DE CONNECTER L'ENCEINTE

Tous les contrôles ainsi que les entrées de signal et d'alimentation sont rassemblés sur le panneau arrière. Vérifiez d'abord le marquage sur le panneau arrière indiquant la tension (115 V ou 230 V). Le marquage indique la tension correcte. Si vous lisez une tension erronée sur le marquage ou si vous ne trouvez pas de marquage du tout, veuillez appeler votre revendeur ou le CENTRE DE SERVICE RCF agréé avant de connecter l'enceinte. Ce contrôle rapide permet d'éviter tout dommage.

S'il est nécessaire de changer la tension, veuillez appeler votre revendeur ou le CENTRE DE SERVICE RCF agréé. Cette opération nécessite le remplacement du fusible par un autre de la valeur adéquate et doit être effectué dans un CENTRE DE SERVICE RCF.

AVANT D'ALLUMER L'ENCEINTE

Vous pouvez maintenant connecter le câble d'alimentation et le câble de signal. Avant d'allumer l'enceinte, assurez-vous que le potentiomètre du volume est réglé au niveau minimum (même sur la sortie de la table de mixage). Il est important que la table de mixage soit déjà allumée avant d'allumer l'enceinte. Cela évitera d'endommager l'enceinte et de provoquer des forts bruits impulsionnels dus à l'activation de certains éléments de la chaîne audio. Une bonne pratique consiste à toujours allumer les enceintes en dernier et à les éteindre immédiatement après leur utilisation. Vous pouvez maintenant allumer l'enceinte et régler le volume à un niveau approprié.

PROTECTIONS

Les enceintes actives de la Série ART sont équipées d'un ensemble complet de circuits de protection. Ces circuits agissent très discrètement sur le signal audio, en contrôlant le niveau et en maintenant la distorsion à un niveau acceptable.

CONFIGURATION DE LA TENSION (RÉSERVÉ AU CENTRE DE SERVICE RCF)

220-240 Volt, 50 Hz SETUP: FUSE VALUE T3,15 A - 250V

110-120 Volt, 60 Hz SETUP: FUSE VALUE T6,30 A - 250V

L'ENCEINTE NE S'ALLUME PAS

Assurez-vous que l'interrupteur de l'enceinte est activé et que l'enceinte est branchée sur une prise secteur active

L'ENCEINTE EST BRANCHÉE SUR UNE PRISE SECTEUR ACTIVE MAIS NE S'ALLUME PAS

Vérifiez que le câble d'alimentation est intact et correctement branché.

L'ENCEINTE EST ALLUMÉE MAIS NE PRODUIT AUCUN SON

Vérifiez que le signal audio est envoyé correctement par la source, et si les câbles de signal ne sont pas endommagés.

LE SON EST DISTORDU ET LA LED OVERLOAD CLIGNOTE FRÉQUEMMENT

Baissez le niveau de sortie de la table de mixage.

LE SON EST TRÈS FAIBLE, AVEC DU SOUFFLE

Le signal de la source ou le niveau de sortie de la table de mixage est peut-être trop bas.

IL Y A DU SOUFFLE DANS LE SON, MÊME SI LE GAIN ET LE VOLUME SONT AU BON NIVEAU

La source peut envoyer un signal de mauvaise qualité ou avec du bruit

GRÉSILLEMENTS OU RONFLETTE

Vérifiez la mise à la terre du secteur et tous les équipements connectés à l'entrée de la table de mixage, y compris les câbles et les connecteurs.



AVERTISSEMENT ! Pour réduire le risque d'électrisation, ne démontez pas ce produit à moins de posséder les qualifications requises. Pour les réparations, adressez-vous à un professionnel qualifié.

1. SICHERHEITSHINWEISE UND ALLGEMEINE INFORMATIONEN

Die in diesem Dokument verwendeten Symbole weisen auf wichtige Betriebsanweisungen und Warnhinweise hin, die unbedingt beachtet werden müssen.

	VORSICHT	Wichtiger Betriebshinweis: erklärt Gefahren, die das Produkt beschädigen können, einschließlich Datenverlust.
	WARNUNG	Wichtige Hinweise zum Umgang mit gefährlichen Spannungen und der möglichen Gefahr von Stromschlag, Verletzungen oder Tod.
	WICHTIGE HINWEISE	Hilfreiche und relevante Informationen zum Thema
	STATIVE UND TRANSPORT	Informationen über den Einsatz von Stativen, Trolleys und transportwagen. Erinnert daran, sich mit äußerster Vorsicht zu bewegen und niemals zu kippen.
	ENTSORGUNG	Dieses Symbol zeigt an, dass dieses Produkt gemäß der WEEE-Richtlinie nicht über den Hausmüll entsorgt werden darf. (2012/19/EU)

WICHTIGE HINWEISE

Diese Anleitung enthält wichtige Informationen über den korrekten und sicheren Gebrauch des Geräts. Bevor Sie das Produkt anschließen und verwenden, lesen Sie bitte diese Anleitung sorgfältig durch und bewahren Sie sie zum späteren Nachschlagen auf. Die Anleitung ist als integraler Bestandteil dieses Produkts zu betrachten und muss ihm bei einem Besitzerwechsel als Referenz für die korrekte Installation und Verwendung sowie für die Sicherheitsvorkehrungen beiliegen. RCF S.p.A. übernimmt keine Verantwortung für eine fehlerhafte Installation und / oder Verwendung dieses Produkts.

SICHERHEITSVORKEHRUNGEN

1. Alle Vorsichtsmaßnahmen, insbesondere die Sicherheitshinweise, müssen mit besonderer Aufmerksamkeit gelesen werden, da sie wichtige Informationen enthalten.

2. Stromversorgung

- Die Netzspannung ist so hoch, dass die Gefahr eines Stromschlags besteht; installieren und schließen Sie dieses Produkt an, bevor Sie es einstecken.
- Vergewissern Sie sich vor dem Einschalten, dass alle Anschlüsse korrekt ausgeführt sind und die Spannung Ihres Stromnetzes mit der auf dem Typenschild des Geräts angegebenen Spannung übereinstimmt; falls nicht, wenden Sie sich bitte an Ihren RCF-Händler.
- Die metallischen Teile des Geräts sind über das Netzkabel geerdet. Ein Gerät der Bauart KLASSE I muss an eine Steckdose mit Schutzerdungsanschluss angeschlossen werden.
- Schützen Sie das Netzkabel vor Beschädigungen; stellen Sie sicher, dass es so verlegt ist, dass es nicht betreten oder von Gegenständen gequetscht werden kann.
- Um das Risiko eines elektrischen Schlags zu vermeiden, öffnen Sie dieses Produkt niemals: Es befinden sich keine Teile im Inneren, auf die der Benutzer zugreifen muss.

Achtung: Falls das Produkt vom Hersteller nur mit POWERCON-Steckern und ohne Netzkabel geliefert wird, müssen gemeinsam mit den POWERCON-Steckern des Typs NAC3FCA (Stromeingang) und NAC3FCB (Stromausgang) die folgenden Netzkabel verwendet werden, die der nationalen Norm entsprechen:

EU: Kabeltyp H05VV-F 3G 3x2.5 mm2 - Standard IEC 60227-1

JP: Kabeltyp VCTF 3x2 mm2; 15Amp/120V~ - Standard JIS C3306

US: Kabeltyp SJT/SJTO 3x14 AWG; 15Amp/125V~ - Standard ANSI/UL 62

3. Achten Sie darauf, dass keine Gegenstände oder Flüssigkeiten in dieses Gerät gelangen, da dies einen Kurzschluss verursachen kann. Dieses Gerät darf keinen Tropfen oder Spritzern ausgesetzt werden. Es dürfen keine mit Flüssigkeit gefüllten Gegenstände, wie z. B. Vasen, auf dieses Gerät gestellt werden. Auf dieses Gerät dürfen keine offenen Feuerquellen (wie z. B. brennende Kerzen) gestellt werden.

4. Versuchen Sie niemals, Eingriffe, Änderungen oder Reparaturen vorzunehmen, die nicht ausdrücklich in dieser Anleitung beschrieben sind.

Wenden Sie sich an Ihren autorisierten Kundendienst oder an qualifiziertes Personal, wenn einer der folgenden Fälle eintritt:

- **Das Gerät funktioniert nicht (oder in anomaler Weise).**
- **Das Netzkabel wurde beschädigt.**
- **Gegenstände oder Flüssigkeiten sind in das Gerät eingedrungen.**
- **Das Produkt wurde einem starken Stoß ausgesetzt.**

5. Wenn das Produkt über einen längeren Zeitraum nicht verwendet wird, ziehen Sie das Netzkabel ab.

6. Wenn dieses Produkt anfängt, seltsame Gerüche oder Rauch abzugeben, schalten Sie es sofort aus und ziehen Sie das Netzkabel ab

7. Schließen Sie dieses Produkt nicht an nicht vorgesehene Geräte oder Zubehörteile an.

Verwenden Sie für eine hängende Installation nur die dafür vorgesehenen Verankerungspunkte und versuchen Sie nicht, dieses Produkt mit Hilfe von ungeeigneten oder nicht für diesen Zweck vorgesehenen Elementen aufzuhängen. Überprüfen Sie auch die Eignung der Auflagefläche, an der das Produkt verankert wird (Wand, Decke, Struktur usw.), sowie die zur Befestigung verwendeten Komponenten (Schraubanker, Schrauben, Dübel, nicht von RCF gelieferte Halterungen usw.), die die Sicherheit des Systems / der Installation auf Dauer gewährleisten müssen, auch unter Berücksichtigung der vom Produkt abgegebenen Vibrationen

Um die Gefahr herabfallender Geräte zu vermeiden, dürfen nicht mehrere Geräte dieses Produkts gestapelt werden, es sei denn, diese Möglichkeit ist im Benutzerhandbuch angegeben.

8. RCF S.p.A. empfiehlt dringend, dieses Produkt nur von professionellen, qualifizierten Installateuren (oder spezialisierten Firmen) installieren zu lassen, die eine korrekte Installation gewährleisten und diese gemäß den geltenden Vorschriften zertifizieren können. Das gesamte Audiosystem muss den geltenden Normen und Vorschriften für elektrische Anlagen entsprechen.

9. Stative und Transport



Das Gerät darf nur auf den vom Hersteller empfohlenen Stativen, Rollwagen und ggf. Trolleys verwendet werden. Das Gerät / das Stativ / der Wagen / die Karre müssen mit äußerster Vorsicht bewegt werden. Plötzliches Anhalten, übermäßige Schubkraft und unebene Böden können zum Umkippen führen. Niemals kippen.

10. Bei der Installation eines professionellen Audiosystems sind zahlreiche mechanische und elektrische Faktoren zu berücksichtigen (zusätzlich zu den rein akustischen Faktoren, wie Schalldruck, Abstrahlwinkel, Frequenzgang usw.).

11. Gehörverlust

Die Exposition gegenüber hohen Schallpegeln kann zu dauerhaftem Hörverlust führen. Der Schalldruckpegel, der zu Hörverlust führt, ist von Person zu Person unterschiedlich und hängt von der Dauer der Exposition ab. Um eine potenziell gefährliche Exposition gegenüber hohen Schalldruckpegeln zu vermeiden, sollte jeder, der diesen Pegeln ausgesetzt ist, angemessene Schutzvorrichtungen verwenden. Bei der Verwendung eines Lautsprechers, der hohe Schallpegel erzeugen kann, ist es daher notwendig, Ohrstöpsel oder schützende Ohrhörer zu tragen. Den maximalen Schalldruckpegel entnehmen Sie bitte den technischen Daten im Handbuch

VORSICHTSMASSNAHMEN FÜR DEN BETRIEB

- Stellen Sie dieses Produkt weit entfernt von Wärmequellen auf und sorgen Sie immer für eine ausreichende Luftzirkulation um das Produkt.
- Überlasten Sie das Produkt nicht über einen längeren Zeitraum.
- Üben Sie keine Gewalt auf die Bedienelemente (Tasten, Knöpfe usw.) aus.
- Verwenden Sie keine Lösungsmittel, Alkohol, Benzol oder andere flüchtige Substanzen zur Reinigung der äußeren Teile dieses Produkts.



WICHTIGE HINWEISE

Um das Auftreten von Störungen auf Signalkabeln zu vermeiden, verwenden Sie nur geschirmte Kabel und legen Sie diese nicht in der Nähe von:

- Geräten, die elektromagnetische Felder mit hoher Intensität erzeugen
- Stromleitungen
- Lautsprecherkabel



WARNUNG! VORSICHT! Um die Gefahr eines Brandes oder elektrischen Schlages zu vermeiden, setzen Sie dieses Produkt niemals Regen oder Feuchtigkeit aus.



WARNUNG! Um einen elektrischen Schlag zu vermeiden, schließen Sie das Gerät nicht an das Stromnetz an, wenn das Gitter entfernt ist.



WARNUNG! Um das Risiko eines elektrischen Schlags zu verringern, zerlegen Sie dieses Produkt nicht, wenn Sie nicht qualifiziert sind. Überlassen Sie die Wartung qualifiziertem Servicepersonal/personnel.

KORREKTE ENTSORGUNG DIESES PRODUKTS



Dieses Produkt sollte bei einer autorisierten Sammelstelle für Recycling von Elektro- und Elektronik-Altgeräten (EEE) abgegeben werden. Unsachgemäßer Umgang mit dieser Art von Abfall kann möglicherweise negative Auswirkungen auf die Umwelt und die menschliche Gesundheit haben. Gleichzeitig trägt Ihre Mitarbeit bei der korrekten Entsorgung dieses Produkts zur effektiven Nutzung der natürlichen Ressourcen bei.

Für weitere Informationen darüber, wo Sie Ihre Altgeräte zum Recycling abgeben können, wenden Sie sich bitte an Ihre örtliche Stadtverwaltung, Abfallbehörde oder Ihren Hausmüllentsorgungsdienst.

PFLEGE UND WARTUNG

Um eine lange Lebensdauer zu gewährleisten, sollte dieses Produkt unter Beachtung der folgenden Ratschläge verwendet werden:

- Wenn das Produkt im Freien aufgestellt werden soll, stellen Sie sicher, dass es unter einer Abdeckung steht und vor Regen und Feuchtigkeit geschützt ist.
- Wenn das Produkt in einer kalten Umgebung verwendet werden soll, wärmen Sie die Schwingspulen langsam auf, indem Sie etwa 15 Minuten lang ein Signal mit niedrigem Pegel abspielen, bevor Sie Signale mit hoher Leistung senden.
- Reinigen Sie die Außenflächen des Lautsprechers immer mit einem trockenen Tuch, und zwar immer bei ausgeschaltetem Gerät.



ACHTUNG: Verwenden Sie keine Reinigungsmittel oder Scheuermittel, um eine Beschädigung der Außenflächen zu vermeiden.



WARNUNG! VORSICHT! Führen Sie bei Aktivlautsprechern die Reinigung nur bei ausgeschaltetem Gerät durch.

RCF S.p.A. behält sich das Recht vor, ohne vorherige Ankündigung Änderungen vorzunehmen, um Fehler und / oder Auslassungen zu korrigieren.

Beachten Sie immer die neueste Version des Handbuchs auf www.rcf.it.

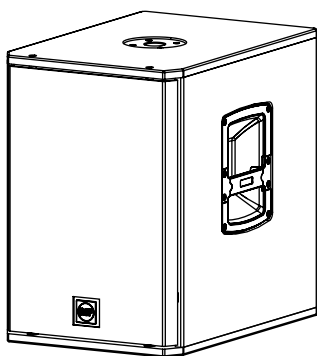
SUB 7 MK3 - PROFESSIONELLER AKTIVER SUBWOOFER

Technische Evolution – klangliche Revolution.

Für das Team von RCF stehen die Anforderungen von Performern an erster Stelle bei der Entwicklung neuer Lautsprecher – mit mehr Features, besserer Klangqualität und Definition und geringerem Gewicht. Jedes Detail der Sub Serie wurde daher sorgfältig geprüft, um Amateur- und Profimusikern ein perfektes Tool für ihre Performance zu bieten – jeden Abend. Die bahnbrechende Designarbeit der Entwickler von RCF wird perfektioniert durch hochwertige Materialien, präzise gefertigte Bauteile, akkurate Montage und umfassende Qualitätskontrollen.

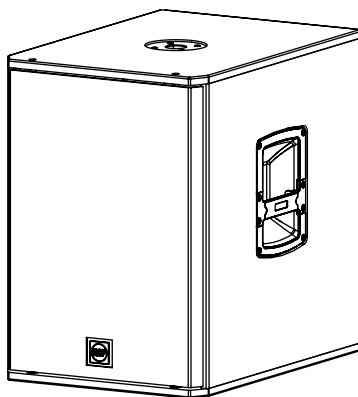
Die Präzisionsfertigung der Schallwandler stützt sich auf moderne Produktionstechnik und die professionelle Expertise und Erfahrung, mit der RCF die Umsetzung allerhöchster Standards erreicht. Alle Schallwandler der Lautsprecher der Sub Serie verfügen über Hochleistungsmagneten, um eine optimale Performance und Belastbarkeit zu gewährleisten.

Die Subwoofer der Sub Serie sind mit 1400-Watt-Klasse-D Endstufen ausgestattet. Diese Lautsprecher sind mit Bass Motion Control-Technologie ausgestattet; es verarbeitet selbst die tiefsten hörbaren Frequenzen, ohne Kompromisse bei der Stabilität der Tieftöner einzugehen – für einen linearen, erweiterten Bassbereich und einen ausgewogenen Sound. Sie sorgen für eine hohe Ausgangsleistung mit extrem geringer Verzerrung und einem unglaublich natürlichen Klang. Jede Endstufe bietet symmetrische Stereo-XLR-Eingänge, einen XLR-Link-Ausgang, einen Lautstärkeregel und eine schaltbare Frequenzweiche (80 Hz / 110 Hz). Die robuste Gehäusekonstruktion der Endstufe schützt die Endstufe während des Transports und unterstützt gleichzeitig die Wärmeableitung. Das neue Lautsprecherdesign ist modern und ergonomisch. Die Gehäuse der Subwoofer der Sub Serie sind aus Multiplex gefertigt und so konzipiert, dass Vibrationen auch bei maximaler Lautstärke gedämpft werden. Die Bassreflexöffnung wurde optimiert, um den Wirkungsgrad zu erhöhen. Überdies verfügt das Gehäuse über zwei seitliche, ergonomisch geformte Griffe mit Gummigriffen. Alle Modelle sind mit einem robusten Hochständerflansch aus Stahl ausgestattet.



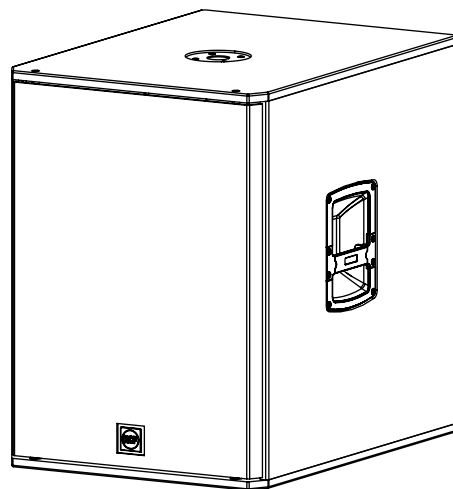
SUB 702-AS MK3

1400 Watt
12" Woofer
18,2 Kg (40,12 lbs)



SUB 705-AS MK3

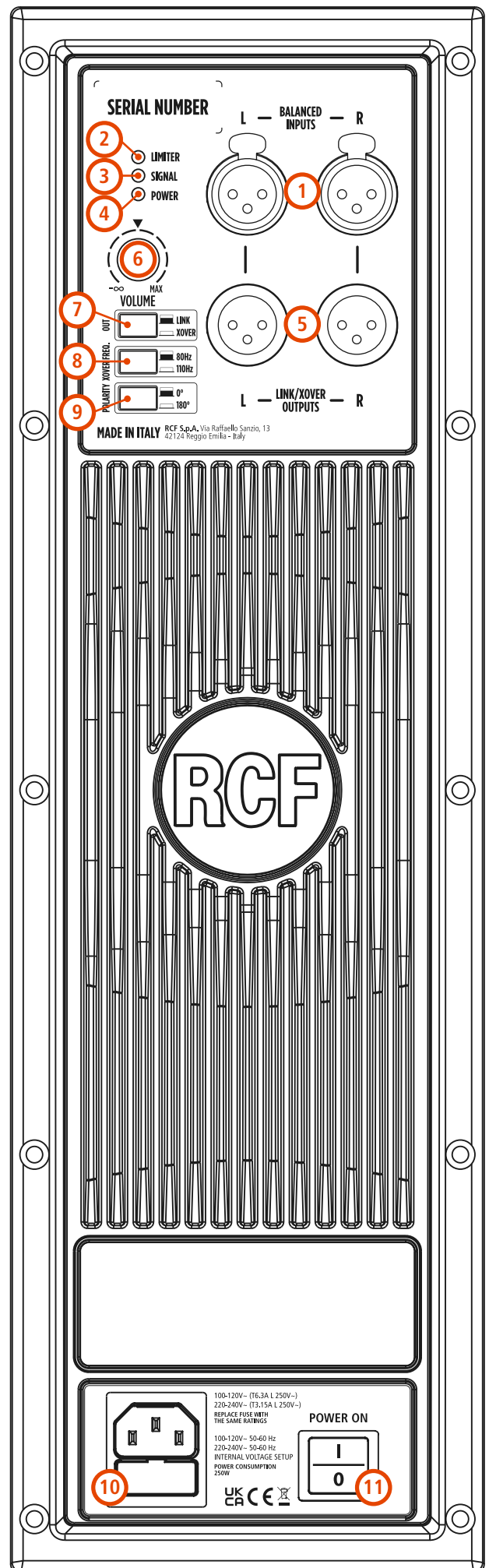
1400 Watt
15" Woofer
28,6 Kg (63,05 lbs)



SUB 708-AS MK3

1400 Watt
18" Woofer
37,6 Kg (82,89 lbs)

- 1 **STEREO-XLR-EINGÄNGE (symmetrisch).**
- 2 **LIMITER-LED** Die Endstufe verfügt über eine integrierte Limiter-Schaltung zur Verhinderung von Endstufen-Clipping oder Übersteuern der Schallwandler. Wenn die Soft-Clipping-Schaltung aktiv ist, blinkt die LED orange. Es ist in Ordnung, wenn die Limit-LED gelegentlich blinkt. Wenn die LED häufig blinkt oder permanent leuchtet, regeln Sie den Signalpegel herunter.
- 3 **SIGNAL-LED** Die Signalanzeige leuchtet grün, wenn am XLR-Main-Eingang ein Signal anliegt.
- 4 **POWER-LED** Diese grüne LED leuchtet, wenn der Lautsprecher an die Stromversorgung angeschlossen und der Netzschalter eingeschaltet ist.
- 5 **XLR-SIGNAL/XOVER-AUSGANG** Der XLR-Ausgang schleift das Signal zur Kaskadierung von Lautsprechern durch (oder stellt ein Frequenzweichen-Ausgangssignal bereit, wenn der Frequenzweichenschalter gedrückt ist).
- 6 **VOLUME-REGLER** Regelt die Endstufenlautstärke.
- 7 **SCHALTER LINK/XOVER OUT** Der Link-Ausgang gibt ein lineares Signal aus, wenn der Schalter in der Position OFF steht (das Ausgangssignal entspricht dem Eingangssignal). In der Position ON wird ein hochpassgefiltertes Signal zum Anschluss eines Satellitenlautsprechers ausgegeben.
- 8 **SCHALTER XOVER** Mit diesem Schalter wird die Trennfrequenz des AUSGANGSSIGNALS gewählt (80 Hz oder 110 Hz).
- 9 **SCHALTER PHASE** Dieser Schalter invertiert die Phase des Ausgangssignals.
- 10 **IEC-GERÄTESTECKDOSE** An die IEC-Gerätesteckdose wird das Netzkabel angeschlossen.
- 11 **NETZSCHALTER** Der Netzschalter schaltet die Spannungsversorgung AN und AUS.



⚡ ⚠️ WARNUNG! VORSICHT! Zur Vermeidung von elektrischen Schäden dürfen Lautsprecher nur von qualifizierten und erfahrenen Personen angeschlossen werden, die über das nötige Fachwissen verfügen oder eine hinreichend spezifische Einweisung erhalten haben.

Schließen Sie Lautsprecher nicht bei eingeschalteter Endstufe an, um Stromschläge zu vermeiden.

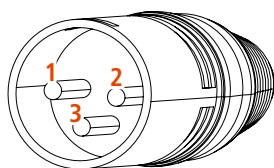
Prüfen Sie vor dem Einschalten des Systems alle Verbindungen und stellen Sie sicher, dass keine unbeabsichtigten Kurzschlüsse vorliegen.

Bei der Planung und der Installation des gesamten Audiosystems sind die geltenden lokalen Gesetze und Vorschriften für elektrische Systeme einzuhalten.

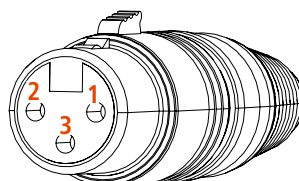
4. ANSCHLÜSSE

Die Anschlüsse müssen nach den von der AES (Audio Engineering Society) festgelegten Standards verdrahtet werden.

XLR STECKER
Symmetrische Verdrahtung



BUCHSE XLR-STECKER
Symmetrische Verdrahtung



PIN 1 = GROUND (SHIELD)
PIN 2 = HOT (+)
PIN 3 = COLD (-)

VOR DEM ANSCHLIESSEN DES LAUTSPRECHERS

Auf der Rückseite finden Sie alle Bedienelemente, Signal- und Stromanschlüsse. Überprüfen Sie zunächst das auf der Rückseite angebrachte Spannungsschild (115 Volt oder 230 Volt). Das Etikett zeigt die richtige Spannung an. Wenn Sie eine falsche Spannung auf dem Etikett lesen oder das Etikett gar nicht finden können, rufen Sie bitte Ihren Händler oder eine autorisierte RCF-SERVICE-ZENTRALE an, bevor Sie den Lautsprecher anschließen. Diese Überprüfung vermeidet Schäden. Falls Sie die Spannung ändern müssen, wenden Sie sich bitte an Ihren Händler oder eine autorisierte RCF-Kundendienststelle. Dieser Vorgang erfordert den Austausch der Sicherung und ist einer RCF-KUNDENDIENSTSTELLE vorbehalten.

VOR DEM EINSCHALTEN DES LAUTSPRECHERS

Sie können nun das Stromkabel und das Signalkabel anschließen. Vergewissern Sie sich vor dem Einschalten des Lautsprechers, dass der Lautstärkereglер auf dem Mindestpegel steht (auch am Mischpultausgang). Es ist wichtig, dass der Mixer bereits eingeschaltet ist, bevor Sie den Lautsprecher einschalten. Dadurch werden Schäden am Lautsprecher und laute "Stöße" durch das Einschalten von Teilen der Audiokette vermieden. Es ist eine gute Praxis, die Lautsprecher immer als letztes einzuschalten und sie sofort nach der Benutzung wieder auszuschalten. Sie können nun den Lautsprecher einschalten und den Lautstärkereglер auf einen angemessenen Pegel einstellen.

SCHUTZSCHALTUNGEN

Die Lautsprecher der Serie NX 9 sind mit einem kompletten System von Schutzschaltungen ausgestattet. Die Schaltungen wirken sehr sanft auf das Audiosignal ein um den Pegel zu kontrollieren und die Verzerrung auf einem akzeptablen Niveau zu halten.

SPANNUNGSEINSTELLUNG (NUR RCF SERVICE CENTER)

220-240 Volt, 50 Hz SETUP: FUSE VALUE T3,15 A - 250V

110-120 Volt, 60 Hz SETUP: FUSE VALUE T6,30 A - 250V

DER LAUTSPRECHER SCHALTET SICH NICHT EIN

Vergewissern Sie sich, dass der Lautsprecher eingeschaltet und an eine funktionierende Steckdose (AC) angeschlossen ist.

DER LAUTSPRECHER IST AN EINE FUNKTIONIERENDE STECKDOSE ANGESCHLOSSEN, LÄSST SICH ABER NICHT EINSCHALTEN

Vergewissern Sie sich, dass das Netzkabel intakt und richtig angeschlossen ist.

DER LAUTSPRECHER IST EINGESCHALTET, GIBT ABER KEINEN TON AB

Prüfen Sie, ob die Signalquelle richtig eingestellt ist und die Signalkabel nicht beschädigt sind..

DER TON VERZERRT IST UND DIE ÜBERLAST-LED BLINKT HÄUFIG

Drehen Sie den Ausgangspegel des Mischers herunter.

DER TON IST SEHR LEISE UND ZISCHEND

Der Ausgangspegel des Mischers ist möglicherweise zu niedrig.

DER TON ZISCHT AUCH BEI RICHTIGER VERSTÄRKUNG UND LAUTSTÄRKE

Die Quelle sendet möglicherweise ein minderwertiges oder verrauschtes Signal

BRUMM- ODER SUMMGERÄUSCHE

Überprüfen Sie die AC-Erdung und alle Geräte, die an das Mischpult angeschlossen sind, einschließlich Kabel und Stecker.



WARNUNG! Um das Risiko eines elektrischen Schlags zu verringern, zerlegen Sie dieses Produkt nicht, wenn Sie nicht qualifiziert sind. Überlassen Sie die Wartung qualifiziertem Servicepersonal.

1. MEDIDAS DE SEGURIDAD E INFORMACIÓN GENERAL

Los símbolos que se muestran en este documento informan sobre instrucciones de uso y advertencias importantes que debe seguir rigurosamente.

	PRECAUCIÓN	Instrucciones de uso importantes: detalla peligros que pueden dañar el producto, incluida la pérdida de datos.
	ADVERTENCIA	Consejo importante referente al uso de voltajes peligrosos y al posible peligro de descarga eléctrica, lesiones personales o muerte.
	AVISO IMPORTANTE	Información importante y de ayuda sobre el tema
	SOPORTES, CARRETIILLAS Y CARROS DE TRANSPORTE	Información sobre el uso de soportes, carretillas y carros de transporte. Recuerde mover el producto con mucho cuidado y no inclinarlo nunca.
	ELIMINACIÓN DE RESIDUOS	Este símbolo indica que este producto no debe eliminarse junto con los desechos domésticos según la directiva sobre residuos de aparatos eléctricos (2012/19/EU) y sus leyes nacionales.

AVISO IMPORTANTE

Este manual contiene información importante sobre el uso correcto y seguro del dispositivo. Antes de conectar y utilizar este producto, lea este manual de instrucciones detenidamente y guárdelo para futuras consultas. El manual se considera una parte integral de este producto y debe entregarse junto a él cuando cambie de propietario para que sirva como referencia sobre las medidas de seguridad, la correcta instalación y el uso. RCF S.p.A. no se responsabiliza de la instalación y el uso incorrectos de este producto.

MEDIDAS DE SEGURIDAD

1. Todas las medidas, en particular las relacionadas con la seguridad, deben leerse con especial detenimiento, pues ofrecen información de importancia.

2. Alimentación de las tomas de corriente

- El voltaje de las tomas de corriente es suficientemente alto para presentar riesgo de electrocución; instale y realice las conexiones a este producto antes de enchufarlo.
- Antes de encenderlo, asegúrese de que todas las conexiones se hayan realizado correctamente y que el voltaje de las tomas de corriente se corresponda con el voltaje del panel de información de la unidad. Si no se corresponden, póngase en contacto con su distribuidor de RCF.
- Las piezas metálicas de la unidad están conectadas a tierra a través del cable de alimentación. Un dispositivo de CLASE I debe conectar su cable de alimentación a una toma de corriente con conexión de protección a tierra.
- Proteja el cable de alimentación de posibles daños. Asegúrese de que está colocado de tal manera que no pueda resultar pisado o aplastado por otros objetos.
- Para prevenir descargas eléctricas, no abra nunca este producto (no tiene piezas en su interior a las que el usuario necesite acceder).
- Cuidado: si el fabricante facilita un producto solo con conectores POWERCON y sin el cable de alimentación, deberán usarse los siguientes cables con los conectores NAC3FCA (alimentación de entrada) y NAC3FCB (alimentación de salida):
 - UE: cable H05VV-F 3G 3x2.5 mm² - Norma IEC 60227-1
 - JP: cable VCTF 3x2 mm²; 15Amp/120V~ - Norma JIS C3306
 - EEUU: cable SJT/SJO 3x14 AWG; 15Amp/125V~ - Norma ANSI/UL 62

3. Asegúrese de que no puedan entrar objetos o líquidos en el producto para evitar posibles cortocircuitos. Este dispositivo no debe exponerse a goteos o salpicaduras. No se deben colocar objetos con líquidos, como jarrones, sobre este aparato. No se deben colocar fuentes de calor expuestas, como velas encendidas, sobre este aparato.

4. No intente nunca llevar a cabo operaciones, modificaciones o reparaciones que no aparezcan expresamente descritas en este manual.

Póngase en contacto con su centro de servicio autorizado o personal cualificado en caso de que:

- **El producto no funcione o funcione de forma anómala.**
- **El cable de alimentación se haya dañado.**
- **Se hayan introducido objetos o líquidos en la unidad.**
- **El producto haya sufrido un golpe fuerte.**

5. Si este producto no se va a utilizar durante un largo periodo de tiempo, desconecte el cable de alimentación.

6. Si este producto comienza a emitir olores extraños o humo, apáguelo inmediatamente y desconecte el cable de alimentación.

7. No conecte este producto a ningún tipo de equipamiento o accesorio que no esté diseñado específicamente para él.

Para instalaciones en suspensión, utilice solo los puntos de anclaje especiales para tal fin y no intente colgar el producto utilizando elementos que no estén indicados o no sean específicos para ello. Compruebe también la idoneidad de la superficie de soporte a la que se anclará el producto (muro, techo, estructura, etc.) y los componentes que se van a utilizar para la suspensión (tornillos de anclaje, tornillos, bridas no suministradas por RCF, etc.) y que deben garantizar la seguridad del sistema o la instalación con el paso del tiempo, considerando, asimismo, las vibraciones mecánicas generadas normalmente por los transductores.

Para prevenir riesgos de caída del equipo, no apile múltiples unidades de este producto a no ser que esta opción se indique expresamente en el manual de usuario.

8. RCF S.p.A. recomienda encarecidamente que la instalación de este producto la realicen instaladores profesionales cualificados (o empresas especializadas) que puedan asegurar la correcta instalación y certificarla según las normativas vigentes.

Todo el sistema de sonido debe cumplir con las normativas actuales referentes a los sistemas eléctricos.

9. Soportes, carretillas y carros de transporte.



El equipo solo debe utilizarse en soportes, carretillas y carros de transporte recomendados por el fabricante. El conjunto (equipo + soporte/carretilla/carro de transporte) debe moverse con extrema precaución. Las paradas repentinas, los empujones excesivos y los suelos desnivelados pueden hacer que vuelque. No incline nunca el conjunto.

10. Hay numerosos factores mecánicos y eléctricos que deben tenerse en cuenta al instalar un sistema de sonido profesional, además de aquellos estrictamente acústicos como la presión sonora, los ángulos de cobertura, la respuesta en frecuencia, etc.

11. Pérdida auditiva.

La exposición a altos niveles de presión sonora puede causar la pérdida permanente de la audición. El nivel de presión sonora que provoca pérdida auditiva depende de la persona y del tiempo de exposición al sonido. Para prevenir la exposición potencialmente peligrosa a altos niveles de presión acústica, cualquier persona que esté expuesta a ellos debe utilizar dispositivos de protección adecuados. Cuando se utiliza un transductor capaz de emitir altos niveles de presión sonora, es necesario llevar puestos tapones para los oídos o auriculares de protección. Consulte las especificaciones técnicas del manual para conocer el nivel máximo de presión sonora.

PRECAUCIONES DE USO

- Coloque este producto lejos de cualquier fuente de calor y asegúrese siempre de que hay suficiente circulación de aire a su alrededor.
- No sobrecargue este producto durante un periodo de tiempo prolongado.

- No fuerce nunca los elementos de control (teclas, botones, etc.).
- No utilice disolventes, alcohol, benceno u otras sustancias volátiles para limpiar las partes externas de este producto.



AVISO IMPORTANTE

Para evitar el ruido en los cables de señal de línea, utilice solo cables apantallados y evite colocarlos cerca de:

- Equipos que generen campos electromagnéticos de gran intensidad
- Cables de alimentación
- Líneas de altavoces



¡ADVERTENCIA! ¡PRECAUCIÓN! Para evitar riesgo de incendio y descarga eléctrica, no exponga nunca este producto a la lluvia o la humedad.



¡ADVERTENCIA! Para evitar el riesgo de descarga eléctrica, no conecte el producto a la toma de corriente si la rejilla está retirada.



¡ADVERTENCIA! Para reducir el riesgo de descarga eléctrica, no desmonte este producto a no ser que tenga la cualificación para hacerlo. Deje el trabajo de mantenimiento a técnicos cualificados.

ELIMINACIÓN CORRECTA DE ESTE PRODUCTO



Este producto se debe eliminar en un lugar autorizado de recogida de aparatos eléctricos y electrónicos (AEE). La eliminación incorrecta de este tipo de residuo podría tener un impacto negativo en el medioambiente y en la salud humana debido a sustancias potencialmente peligrosas que se relacionan generalmente con los AEE. Su cooperación en la correcta eliminación de este producto contribuirá al uso efectivo de los recursos naturales. Para más información sobre los lugares en los que puede dejar su equipo para reciclarlo, póngase en contacto con la autoridad de residuos de su oficina municipal, con la autoridad responsable de residuos o con el servicio de recogida de basura.

CUIDADO Y MANTENIMIENTO

Para asegurar un servicio duradero del producto, siga los siguientes consejos:

- Si va a situar el producto en exteriores, asegúrese de que está a cubierto y protegido de la lluvia y la humedad.
- Si necesita utilizar el producto en entornos fríos, caliente lentamente las bobinas móviles enviando una señal a bajo volumen durante 15 minutos antes de enviar señales de alta potencia.
- Use siempre un paño seco para limpiar las superficies exteriores del altavoz, siempre con la alimentación apagada.



PRECAUCIÓN: para evitar dañar el acabado externo, no utilice disolventes de limpieza o sustancias abrasivas.



¡ADVERTENCIA! ¡PRECAUCIÓN! Limpie los altavoces activos solamente cuando estén apagados.

RCF S.p.A. se reserva el derecho a hacer cambios sin previo aviso para rectificar cualquier tipo de error u omisión.

Consulte siempre la última versión del manual en www.rcf.it.

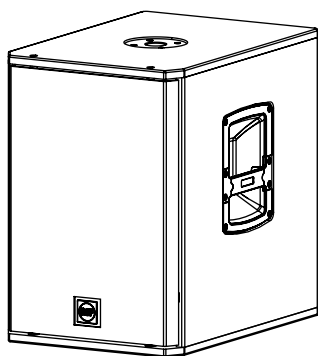
SUB 7 MK3 - SUBWOOFER ACTIVO PROFESIONAL

Evolución tecnológica y revolución sonora.

El equipo de RCF cree firmemente que las necesidades de los intérpretes son la prioridad a la hora de diseñar y crear nuevas líneas de altavoces con características renovadas, una mayor claridad de sonido y definición, e incluso un peso más ligero. Cada detalle de la Serie Sub se ha estudiado con detenimiento para ofrecer tanto a músicos aficionados como profesionales la herramienta perfecta que lleve más allá su actuación noche tras noche. Materiales de alta calidad, fabricación precisa, montaje minucioso y un exhaustivo control de calidad completan el innovador diseño del equipo de investigación y desarrollo de RCF.

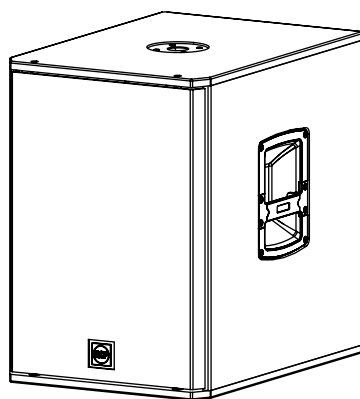
Todos los transductores están fabricados con precisión y aprovechan la tecnología de montaje, el moldeado superior de RCF y el extenso conocimiento y experiencia que se dedica a conseguir unos estándares extremadamente altos. Todos los transductores de los altavoces de la Serie Sub poseen imanes de gran potencia para garantizar una potencia y desempeño óptimos.

Los subwoofers de la Serie Sub están equipados con una nueva generación de amplificadores de Clase-D de 1400 W. Estos altavoces están equipados con la tecnología Bass Motion Control; puede manejar las frecuencias audibles más graves sin afectar a la estabilidad del altavoz de graves, con una linealidad ampliada y una mejor integridad del sonido. El resultado se traduce en una gran potencia de salida, distorsión extremadamente baja y un sonido increíblemente natural. Cada amplificador posee entradas XLR estéreo balanceadas, salida XLR para puenteo, volumen y un divisor de frecuencias conmutable (80 Hz/110 Hz). El amplificador cuenta con una estructura mecánica sólida de aluminio que no solo estabiliza el amplificador durante su transporte, sino que también ayuda a disipar el calor. El nuevo diseño del altavoz es agresivo, pero mantiene una perfecta ergonomía, resultado de la combinación de numerosas investigaciones funcionales y acústicas. Las cajas de los subwoofers de la Serie Sub están fabricadas en contrachapado y se han diseñado para disminuir las vibraciones, incluso a máximo volumen. El puerto réflex ha cambiado de tamaño para hacerlo más eficiente. La caja está equipada con 2 asas laterales de diseño ergonómico y agarre de goma. En la parte superior, todos los modelos disponen de un receptáculo resistente de acero para mástil.



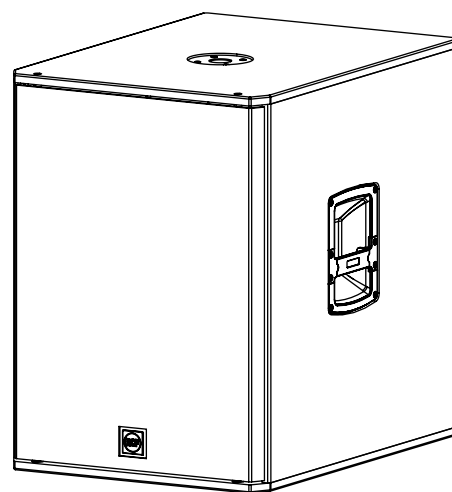
SUB 702-AS MK3

1400 Watt
12" Woofer
18,2 Kg (40,12 lbs)



SUB 705-AS MK3

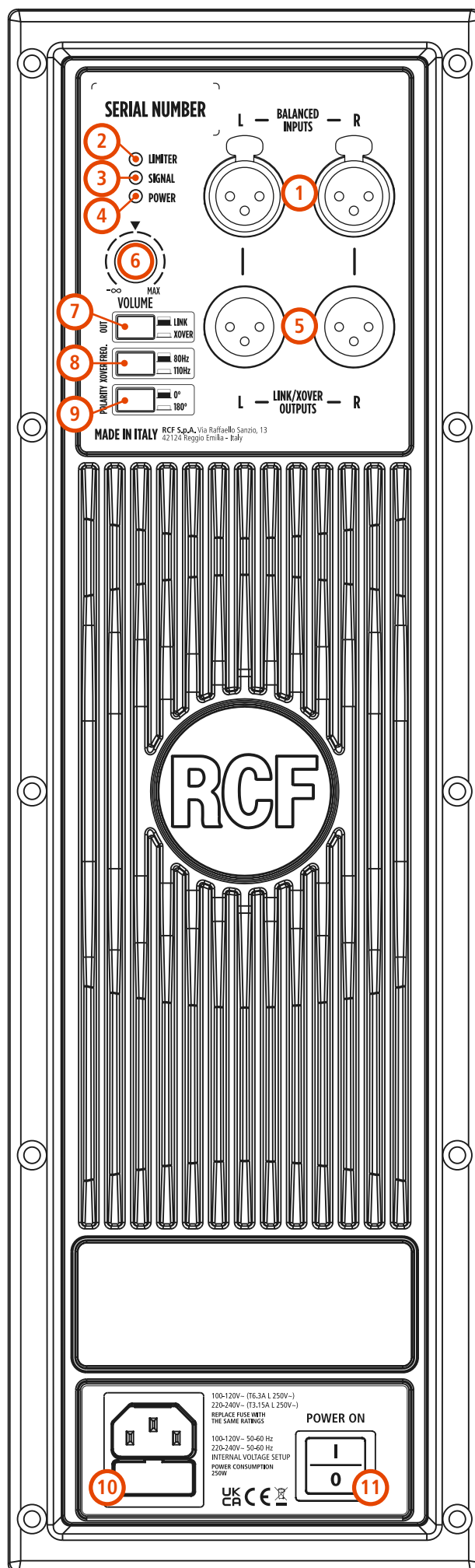
1400 Watt
15" Woofer
28,6 Kg (63,05 lbs)




SUB 708-AS MK3

1400 Watt
18" Woofer
37,6 Kg (82,89 lbs)

- 1 **ENTRADAS XLR ESTÉREO HEMBRA (BALANCEADAS)**
- 2 **LED DEL LIMITADOR** El amplificador cuenta con un circuito limitador integrado para evitar la saturación del amplificador o la sobrecarga de los transductores. Cuando el circuito de recorte suave se activa, el LED parpadeará en naranja. No pasa nada si el LED del limitador parpadea ocasionalmente. Si el LED parpadea frecuentemente o se mantiene encendido, baje el nivel de la señal.
- 3 **LED DE SEÑAL EI LED** El indicador de señal se encenderá en verde si hay señal en la entrada XLR principal.
- 4 **LED DE ENCENDIDO** Este LED verde se enciende cuando el altavoz se conecta a una fuente de alimentación principal y el interruptor ON/OFF está en posición ON.
- 5 **SEÑAL DE XLR MACHO/SALIDA DEL DIVISOR DE FRECUENCIAS** El conector de salida XLR permite puentear para para encadenar altavoces (o para una salida de divisor de frecuencias, que se activa al pulsar el switch del divisor de frecuencias).
- 6 **CONTROL DE VOLUMEN** Ajusta el volumen del amplificador.
- 7 **CONMUTADOR DE ENLACE/SALIDA DEL DIVISOR DE FRECUENCIAS** La salida de puneteo es plana cuando el conmutador está en posición OFF (la señal de salida será igual a la señal de entrada), o tendrá un filtro paso-alto cuando el conmutador esté en posición ON (para conectar un altavoz satélite).
- 8 **CONMUTADOR XOVER** Este conmutador establece la frecuencia de corte de la SEÑAL DE SALIDA en 80 Hz o 110 Hz.
- 9 **CONMUTADOR DE FASE** Este conmutador invierte la fase de la señal de salida.
- 10 **PUERTOS IEC AC** El puerto IEC AC proporciona la conexión del cable de alimentación al enchufe.
- 11 **INTERRUPTOR DE ENCENDIDO** El interruptor de encendido enciende o apaga la alimentación eléctrica.



 ¡ADVERTENCIA! ¡PRECAUCIÓN! Las conexiones de las cajas acústicas las debe realizar únicamente personal cualificado y con experiencia que tenga conocimientos técnicos o instrucciones específicas para asegurar que se hacen correctamente y evitar cualquier tipo de riesgo eléctrico.

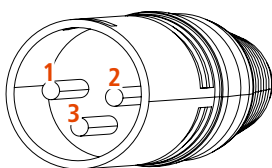
Para evitar el riesgo de descarga eléctrica, no conecte las cajas acústicas cuando el amplificador esté encendido. Antes de encender el sistema, compruebe todas las conexiones y asegúrese de que no hay cortocircuitos accidentales.

Todo el sistema de sonido debe estar diseñado e instalado de acuerdo a las normativas y leyes locales vigentes relacionadas con los aparatos eléctricos.

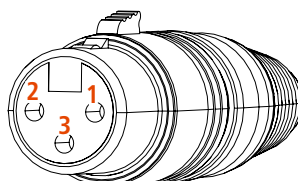
4. CONEXIONES

Los conectores deben estar cableados de acuerdo con la normativa especificada por la AES (Sociedad de Ingenieros de Sonido de EE. UU.).

CONECTOR XLR MACHO
Cableado balanceado



CONECTOR XLR HEMBRA
Cableado balanceado



PIN 1 = TIERRA (BLINDAJE)
PIN 2 = SEÑAL +
PIN 3 = SEÑAL -

ANTES DE CONECTAR EL ALTAVOZ

En el panel trasero encontrará todos los controles, entradas de señal y alimentación. En primer lugar, compruebe la etiqueta con el voltaje en el panel trasero (115 voltios o 230 voltios). La etiqueta indica el voltaje correcto. Si ve que la etiqueta especifica un voltaje erróneo o no está presente, llame a su distribuidor o CENTRO DE SERVICIO RCF autorizado antes de conectar el altavoz. Esta comprobación evitará que se produzcan daños. Si fuera necesario cambiar el voltaje, llame a su distribuidor o CENTRO DE SERVICIO RCF autorizado. Esta operación requiere la sustitución del valor del fusible y debe realizarla un CENTRO DE SERVICIO RCF.

ANTES DE ENCENDER EL ALTAVOZ

Ahora puede conectar el cable de alimentación y el cable de señal. Antes de encender el altavoz, asegúrese de que el control de volumen esté al mínimo (incluso en la salida del mezclador). Es importante que el mezclador esté encendido antes de encender el altavoz. Esto evitará que se produzcan daños en el altavoz y que haya "golpes" de ruido al encender partes de la cadena de sonido. Se recomienda encender siempre los altavoces en último lugar y apagarlos en primer lugar después de su uso. Ahora puede encender el altavoz y ajustar el control de volumen al nivel adecuado.

PROTECCIONES

Los altavoces activos de la Serie ART vienen equipados con un sistema de circuitos de protección. El circuito actúa de forma sutil sobre la señal de sonido, controlando su nivel y manteniendo la distorsión a un nivel aceptable.

CONFIGURACIÓN DEL VOLTAJE (RESERVADO AL CENTRO DE SERVICIO DE RCF)

220-240 Volt, 50 Hz SETUP: FUSE VALUE T3,15 A - 250V

110-120 Volt, 60 Hz SETUP: FUSE VALUE T6,30 A - 250V

EL ALTAVOZ NO SE ENCIENDE

Asegúrese de que el altavoz esté encendido y conectado a una fuente de alimentación eléctrica activa.

EL ALTAVOZ ESTÁ CONECTADO A UNA FUENTE DE ALIMENTACIÓN ELÉCTRICA ACTIVA PERO NO SE ENCIENDE

Asegúrese de que el cable de alimentación esté en buen estado y se encuentre conectado correctamente.

EL ALTAVOZ ESTÁ ENCENDIDO PERO NO EMITE SONIDO

Compruebe que la fuente de sonido envíe la señal correctamente y que los cables de señal no estén dañados.

EL SONIDO ESTÁ DISTORSIONADO Y EL LED OVERLOAD PARPADEA FRECUENTEMENTE

Baje el nivel de salida del mezclador.

EL SONIDO ES MUY BAJO Y SISEA

La ganancia de la fuente o el nivel de salida del mezclador podrían ser demasiado bajos.

EL SONIDO SISEA INCLUSO CON UNA GANANCIA Y VOLUMEN APROPIADOS

La fuente podría estar enviando una señal de baja calidad o con ruido.

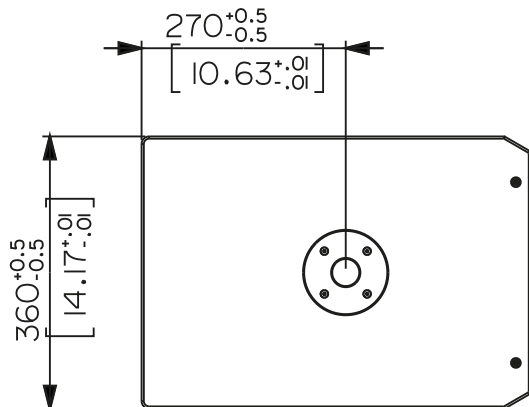
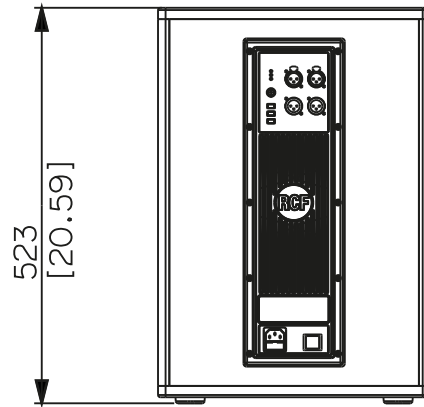
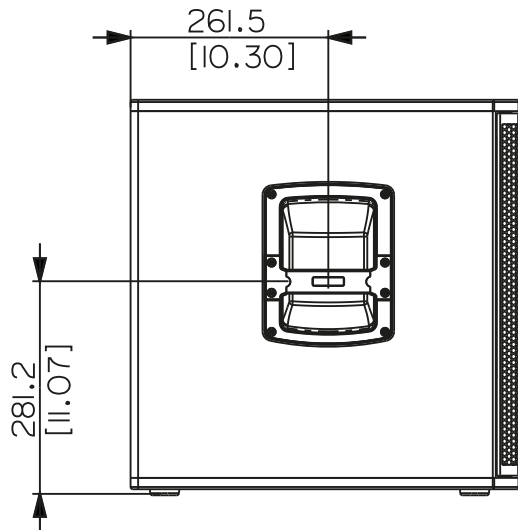
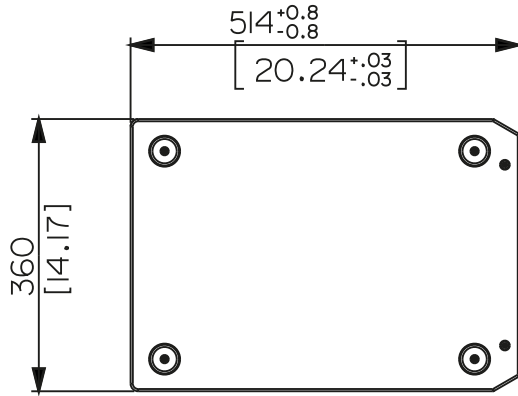
RUIDO DE ZUMBIDO

Compruebe la toma de tierra de la alimentación eléctrica y todos los equipos conectados a la entrada del mezclador, incluidos los cables y conectores.

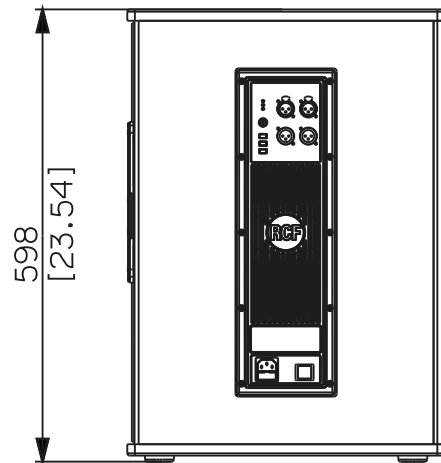
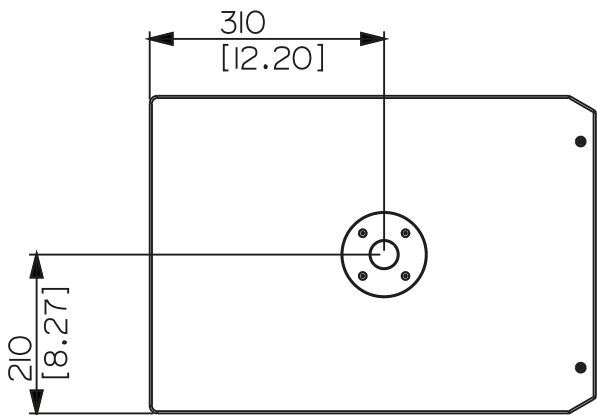
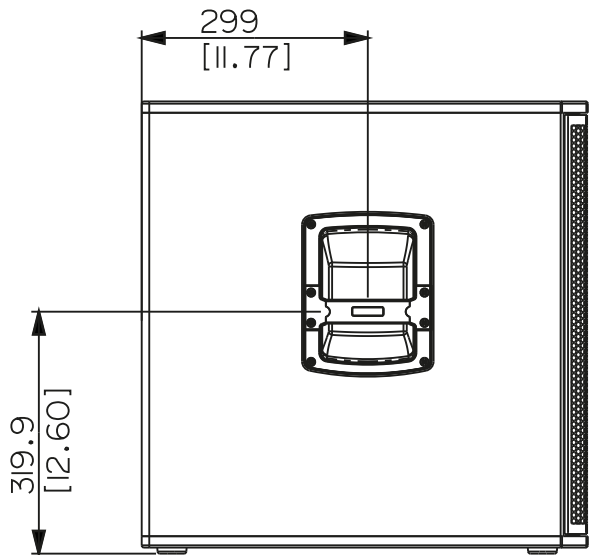
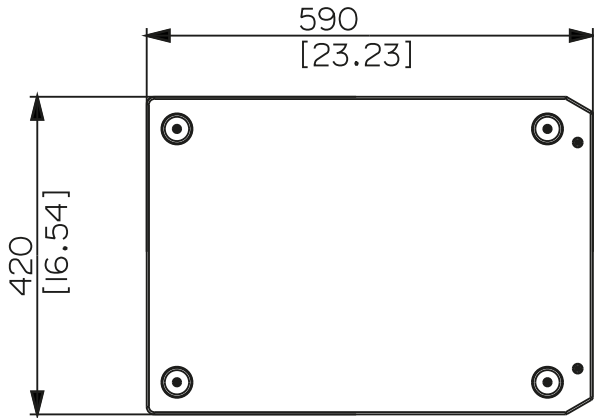


¡ADVERTENCIA! Para reducir el riesgo de descarga eléctrica, no desmonte este producto a no ser que tenga la cualificación para hacerlo. Deje el trabajo de mantenimiento a técnicos cualificados.

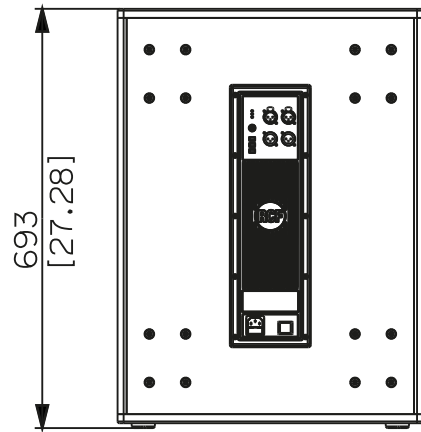
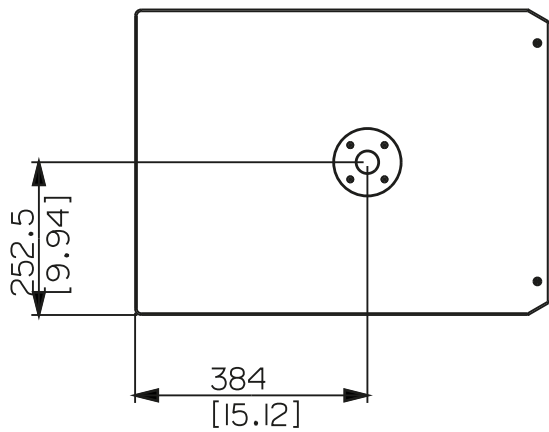
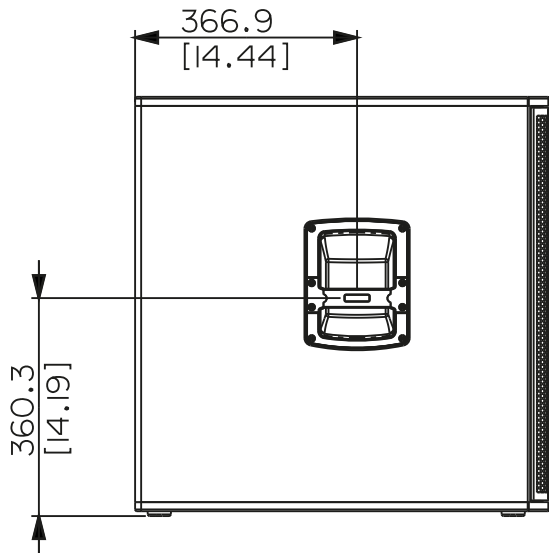
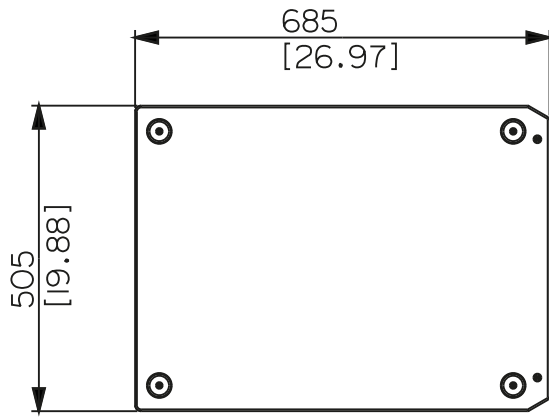
DIMENSIONS - SUB 702-AS MK3



DIMENSIONS - SUB 705-AS MK3



DIMENSIONS - SUB 708-AS MK3



SPECIFICATIONS

TECHNICAL SPECIFICATIONS		SUB 702-AS MK3	SUB 705-AS MK3	SUB 708-AS MK3
Acoustical specifications	Frequency Response:	40 Hz ÷ 120 Hz	40 Hz ÷ 120 Hz	35 Hz ÷ 120 Hz
	Max SPL @ 1m:	129 dB	131 dB	133 dB
Transducers	Woofer:	12", 2.5" v.c	15", 3.0" v.c	18", 3.0" v.c
Input/Output section	Input signal:	bal/unbal	bal/unbal	bal/unbal
	Input connectors:	XLR	XLR	XLR
	Output connectors:	XLR	XLR	XLR
	Input sensitivity:	-2 dBu/+4 dBu	-2 dBu/+4 dBu	-2 dBu/+4 dBu
Processor section	Hi-Pass Frequencies:	110 Hz	110 Hz	110 Hz
	Low-Pass Frequencies:	80 Hz	80 Hz	80 Hz
	Protections:	Thermal, RMS	Thermal, RMS	Thermal, RMS
	Limiter:	Soft Limiter	Soft Limiter	Soft Limiter
	Controls:	Volume, EQ, Phase, Xover	Volume, EQ, Phase, Xover	Volume, EQ, Phase, Xover
Power section	Total Power:	1400 W Peak, 700 W RMS	1400 W Peak, 700 W RMS	1400 W Peak, 700 W RMS
	Low frequencies:	1400 W Peak, 700 W RMS	1400 W Peak, 700 W RMS	1400 W Peak, 700 W RMS
	Cooling:	Convection	Convection	Convection
	Connections:	VDE	VDE	VDE
Standard compliance	Safety agency:	CE compliant	CE compliant	CE compliant
Physical specifications	Cabinet/Case Material:	Baltic birch plywood	Baltic birch plywood	Baltic birch plywood
	Handles:	2 Side	2 side	2 side
	Pole mount/Cap:	Yes	Yes	Yes
	Color:	Black	Black	Black
Size	Height:	487 mm / 19.17 inches	568 mm / 22.36 inches	665 mm / 26.18 inches
	Width:	354 mm / 13.94 inches	430 mm / 16.93 inches	505 mm / 19.88 inches
	Depth:	498 mm / 19.61 inches	595 mm / 23.43 inches	700 mm / 27.56 inches
	Weight:	18.2 kg / 40.12 lbs	28.6 kg / 63.05 lbs	37.6 kg / 82.89 lbs

