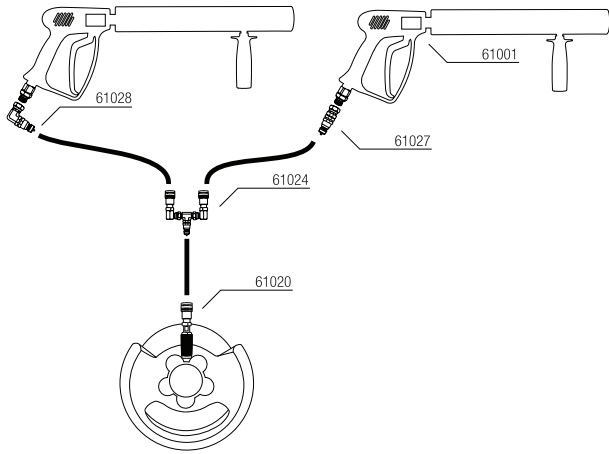
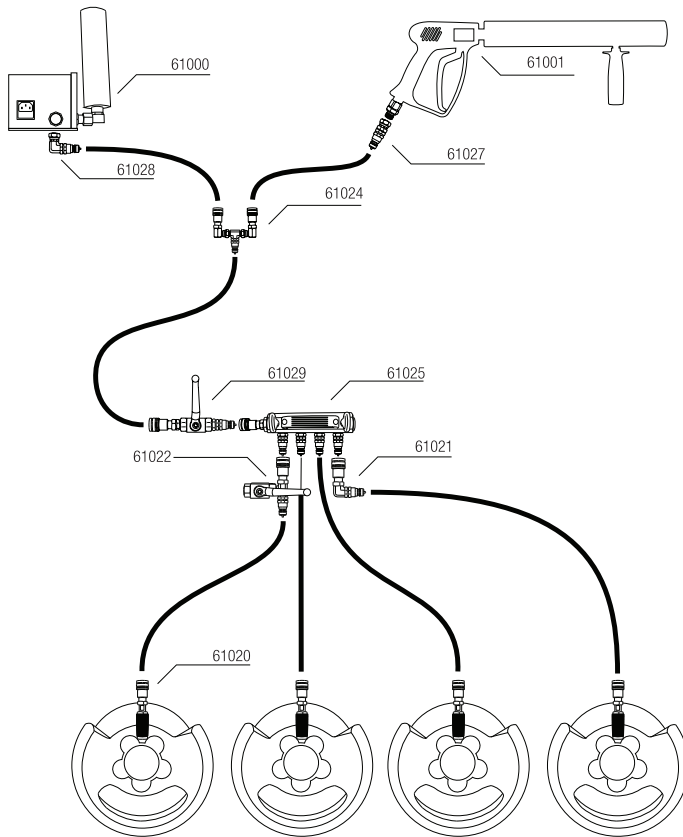


This example shows how to split your CO2 hose to connect 2 CO2 guns or jets with one bottle. In this kinds of setups it is important to have similar hose length for both CO2 guns or jets to create even output.



In this example almost all CO2 Q-Lock products are used to give an clear overview of the usage of the different Q-Lock products.



This example shows how to combine 2 bottles on one FX ice Jet. The Q-Lock release valve is used to empty your setup if mains power is shut off. Always empty your hoses before disconnected bottles or CO2 products.

