



HYDRO WASH XI9



User Manual

USA#
EU#
UPC#

HYD190
1237000302
818651028232



©2021 ADJ Products, LLC all rights reserved. Information, specifications, diagrams, images, and instructions herein are subject to change without notice. ADJ Products, LLC logo and identifying product names and numbers herein are trademarks of ADJ Products, LLC. Copyright protection claimed includes all forms and matters of copyrightable materials and information now allowed by statutory or judicial law or hereinafter granted. Product names used in this document may be trademarks or registered trademarks of their respective companies and are hereby acknowledged. All non-ADJ Products, LLC brands and product names are trademarks or registered trademarks of their respective companies.

ADJ Products, LLC and all affiliated companies hereby disclaim any and all liabilities for property, equipment, building, and electrical damages, injuries to any persons, and direct or indirect economic loss associated with the use or reliance of any information contained within this document, and/or as a result of the improper, unsafe, insufficient and negligent assembly, installation, rigging, and operation of this product.



DOCUMENT VERSION

Due to additional product features and/or enhancements, an updated version of this document may be available online.

Please check www.adj.com for the latest revision/update of this manual before beginning installation and/or programming.

Date	Document Version	Software Version	DMX Channels	Notes
06/29/2020	1.0	1.1	16 / 88 / 90	Initial Release
08/13/2020	1.1	NC	No Change	Updated System menu / error codes
10/08/2020	1.2	NC	No Change	Updated zoom range value
07/14/2021	1.3	1.2	16 / 26 / 88 / 90	Added 26-ch DMX mode; added Pixel Zones; updated Features, Safety Guidelines, Fixture Installation, System Menu, & Technical Specs
08/10/2021	1.4	N./C	No Change	Updated Overview, System Menu, WiFly Control, and Specifications, removed Software Updates

TABLE OF CONTENTS

Introduction	4
Features Warranty Returns	5
IP Notice	6
Safety Guidelines	7
Overview	10
Torque Settings & IP Tester	11
Torque Screw Locations	12
Fixture Installation	13
Connections	17
DMX Set Up	18
DMX Addressing	19
DMX Channel Modes	20
Color Macro Chart	27
Color Temperature Chart	29
Pixel Zones	30
System Menu	31
WiFly Control	41
Target Modes	43
Dimmer Curve Chart	45
Error Codes	46
Dimensional Drawings	47
Multiple Unit Power Linking Cleaning	48
Limited Warranty (USA Only)	49
Technical Specifications	50
FCC Statement	51

INTRODUCTION

Unpacking: Thank you for purchasing the Hydro Wash X19 by ADJ Products, LLC. Every Hydro Wash X19 has been thoroughly tested and has been shipped in perfect operating condition. Carefully check the shipping carton for damage that may have occurred during shipping. If the carton appears to be damaged, carefully inspect your fixture for any damage and be sure all accessories necessary to operate the unit has arrived intact. In the case damage has been found or parts are missing, please contact our toll free customer support number for further instructions. Do not return this unit to your dealer without first contacting customer support.

Introduction: The ADJ Hydro Wash X19 is a DMX intelligent, IP rated, high powered, moving head fixture. To optimize the performance of this product, please read these operating instructions carefully to familiarize yourself with the basic operations of this unit. **This product is intended to be used by professionally trained personnel only and is not suitable for private use.**

These instructions contain important safety information regarding the use and maintenance of this unit. Please keep this manual with the unit, for future reference.

Customer Support: Contact ADJ Service for any product related service and support needs. Also visit forums.adj.com with questions, comments or suggestions.

Parts: To purchase parts online visit:

<http://parts.adj.com> (US)

<http://www.adjparts.eu> (EU)

ADJ SERVICE USA - Monday - Friday 8:00am to 4:30pm PST

Voice: 800-322-6337 | Fax: 323-582-2941 | support@adj.com

ADJ SERVICE EUROPE - Monday - Friday 08:30 to 17:00 CET

Voice: +31 45 546 85 60 | Fax: +31 45 546 85 96 | support@adj.eu

ADJ PRODUCTS LLC USA

6122 S. Eastern Ave. Los Angeles, CA. 90040

323-582-2650 | Fax 323-532-2941 | www.adj.com | info@adj.com

ADJ SUPPLY Europe B.V

Junostraat 2 6468 EW Kerkrade, The Netherlands

+31 (0)45 546 85 00 | Fax +31 45 546 85 99

www.adj.eu | info@adj.eu

ADJ PRODUCTS GROUP Mexico

AV Santa Ana 30 Parque Industrial Lerma, Lerma, Mexico 52000

+52 (728) 282-7070

Caution! There are no user serviceable parts inside this unit. Do not attempt any repairs yourself, doing so will void your manufactures warranty. In the unlikely event your unit may require service please contact ADJ Products, LLC.

PLEASE recycle the shipping carton whenever possible.

FEATURES

- IP65 Outdoor Rated
- Electronic Dimming 0-100%
- DMX-512 Protocol
- IP65, 5-pin XLR, Data Locking In/Out Connections
- 16, 26, 88, & 90 Channel DMX Control Modes
- IP65 Locking Power In/Out Connections
- 6° to 40° Motorized Linear Zoom
- Multiple Unit Power Linking (see section on ***Multiple Unit Power Linking***)

INCLUDED ITEMS:

- IP65 Locking Main Power Cable (x1)
- Omega Brackets (x2)

WARRANTY RETURNS

The Hydro Wash X19 carries a 2 year limited warranty. Please fill out the enclosed warranty card to validate your purchase. All returned service items whether under warranty or not, must be freight pre-paid and accompanied by a return authorization (R.A.) number. The R.A. number must be clearly written on the outside of the return package. A brief description of the problem as well as the R.A. number must also be written down on a piece of paper included in the shipping carton. If the unit is under warranty, you must provide a copy of your proof of purchase invoice. You may obtain an R.A. number by contacting our customer support team on our customer support number. All packages returned to the service department not displaying an R.A. number on the outside of the package will be returned to the shipper.

IP NOTICE

IP65 RATED

An IP rated lighting fixture is one, which is commonly installed in outdoor environments and has been designed with an enclosure that effectively protects the ingress (entry) of external foreign objects such as dust and water. The International Protection (IP) rating system is commonly expressed as “IP” (Ingress Protection) followed by two numbers (i.e. IP65) where the numbers define the degree of protection. The first digit (Foreign Bodies Protection) indicates the extent of protection against particles entering the fixture and the second digit (Water Protection) indicates the extent of protection against water entering the fixture. An IP65 rated lighting fixture is one, which has been designed and tested to protect against the ingress of dust (6) and low-pressure water jets from any direction (5).



MARINE / COASTAL ENVIRONMENT INSTALLATIONS

NOT suitable for marine and/or coastal environment installations. Installing this fixture in a marine and/or coastal environment may cause corrosion and/ or excessive wear to the interior and/or exterior components of the fixture. Damages and/or performance issues resulting from installation in a marine and/or coastal environment will void the manufacturer’s warranty and will NOT be subject to any warranty claims and/or repairs.

SAFETY GUIDELINES

For Your Own Personal Safety, Please Read and Understand This Manual Completely Before You Attempt To Install Or Operate This Unit!

- **THERE ARE NO USER SERVICEABLE PARTS INSIDE THIS UNIT. DO NOT ATTEMPT ANY REPAIRS YOURSELF, AS DOING SO WILL VOID YOUR MANUFACTURER'S WARRANTY. DAMAGES RESULTING FROM MODIFICATIONS TO THIS FIXTURE AND/OR THE DISREGARD OF SAFETY INSTRUCTIONS AND GUIDELINES IN THIS MANUAL VOID THE MANUFACTURER'S WARRANTY AND ARE NOT SUBJECT TO ANY WARRANTY CLAIMS AND/OR REPAIRS.**
- **DO NOT PLUG THE FIXTURE INTO A DIMMER PACK!**
- **NEVER OPEN THIS FIXTURE WHILE IN USE!**
- **UNPLUG POWER BEFORE SERVICING FIXTURE!**
- **NEVER TOUCH THE FIXTURE DURING OPERATION AS IT MAY BE HOT!**
- **KEEP FLAMMABLE MATERIALS AWAY FROM FIXTURE!**
- **ENSURE ALL CONNECTIONS AND END CAPS ARE PROPERLY SEALED WITH A DIELECTRIC GREASE (AVAILABLE AT MOST ELECTRICAL SUPPLIERS) TO PREVENT WATER CORROSION AND/OR ELECTRICAL SHORT CIRCUIT.**
- **IF THE FIXTURE IS EXPOSED TO ENVIRONMENTAL TEMPERATURE CHANGES, SUCH AS RELOCATION FROM AN OUTDOOR COLD TO AN INDOOR WARM ENVIRONMENT, DO NOT POWER THE FIXTURE ON IMMEDIATELY. INTERNAL CONDENSATION AS A RESULT OF ENVIRONMENTAL TEMPERATURE CHANGE CAN CAUSE INTERNAL FIXTURE DAMAGE. LEAVE THE FIXTURE POWERED OFF UNTIL IT HAS REACHED ROOM TEMPERATURE BEFORE POWERING ON.**
- **NEVER LOOK DIRECTLY INTO THE LIGHT SOURCE! RETINA INJURY RISK - MAY INDUCE BLINDNESS! SENSITIVE PERSONS MAY SUFFER AN EPILEPTIC SHOCK!**
- Be sure that the power outlet matches the required voltage for your unit.
- Do not attempt to operate this unit if the power cord has been frayed or broken.
- Do not attempt to remove or break off the ground prong from the electrical cord. This prong is used to reduce the risk of electrical shock and fire in case of an internal short.
- Disconnect from main power before making any type of connection.
- Do not remove the cover for any reason. There are no user serviceable parts inside.
- Never operate this unit with the cover removed.
- Always be sure to mount this unit in an area that will allow proper ventilation. Allow about 7.9" (20cm) between this device and a wall.
- Do not attempt to operate this unit if it has been damaged in any way.
- Always mount this unit in safe and stable matter.
- Power-supply cords should be routed so that they are not likely to be walked on or pinched by items placed upon or against them, paying particular attention to cords at plugs, convenience receptacles, and the point at which they exit from the appliance.
- **Cleaning** - The fixture should be cleaned only as recommended by the manufacturer. See the **Cleaning** section of this manual for details.
- **Heat** - This fixture should be situated away from heat sources such as radiators, heat registers, stoves, or other appliances (including amplifiers) that produce heat.
- The fixture should be serviced by qualified service personnel when the appliance does not appear to operate normally or exhibits a marked change in performance.

SAFETY GUIDELINES

To guarantee smooth operation, it is important to follow all instructions and guidelines in this manual. ADJ Products, LLC is not responsible for injury and/or damages resulting from the misuse of this fixture due to the disregard of the information printed in this manual. Only qualified and/or certified personnel should perform installation of this fixture, and only the original rigging parts included with this fixture should be used for installation. Any modifications to the fixture and/or the included mounting hardware will void the original manufacturer's warranty and increase the risk of damage and/or personal injury.



PROTECTION CLASS 1 - FIXTURE MUST BE PROPERLY GROUNDED.



THERE ARE NO USER SERVICEABLE PARTS INSIDE THIS UNIT. DO NOT ATTEMPT ANY REPAIRS YOURSELF, AS DOING SO WILL VOID YOUR MANUFACTURER'S WARRANTY. DAMAGES RESULTING FROM MODIFICATIONS TO THIS FIXTURE AND/OR THE DISREGARD OF SAFETY INSTRUCTIONS AND GUIDELINES IN THIS MANUAL VOID THE MANUFACTURER'S WARRANTY AND ARE NOT SUBJECT TO ANY WARRANTY CLAIMS AND/OR REPAIRS.



**DO NOT PLUG FIXTURE INTO A DIMMER PACK!
NEVER OPEN THIS FIXTURE WHILE IN USE!
UNPLUG POWER BEFORE SERVICING FIXTURE!
NEVER TOUCH FIXTURE DURING OPERATION AS IT MAY BE HOT!
KEEP FLAMMABLE MATERIALS AWAY FROM FIXTURE!**



ENSURE ALL CONNECTIONS AND END CAPS ARE PROPERLY SEALED WITH A DIELECTRIC GREASE (AVAILABLE AT MOST ELECTRICAL SUPPLIERS) TO PREVENT WATER CORROSION AND/OR ELECTRICAL SHORT CIRCUIT



IF THE FIXTURE IS EXPOSED TO ENVIRONMENTAL TEMPERATURE CHANGES, SUCH AS RELOCATION FROM AN OUTDOOR COLD TO AN INDOOR WARM ENVIRONMENT, DO NOT POWER THE FIXTURE ON IMMEDIATELY. INTERNAL CONDENSATION AS A RESULT OF ENVIRONMENTAL TEMPERATURE CHANGE CAN CAUSE INTERNAL FIXTURE DAMAGE. LEAVE THE FIXTURE POWERED OFF UNTIL IT HAS REACHED ROOM TEMPERATURE BEFORE POWERING ON.



**NEVER LOOK DIRECTLY INTO THE LIGHT SOURCE!
RETINA INJURY RISK - MAY INDUCE BLINDNESS!
SENSITIVE PERSONS MAY SUFFER AN EPILEPTIC SHOCK!**

SAFETY GUIDELINES

DO NOT TOUCH the fixture housing during operation. Turn OFF the power and allow approximately 15 minutes for the fixture to cool down before servicing.

DO NOT shake fixture, and avoid brute force when installing and/or operating fixture.

DO NOT operate fixture if the power cord has become frayed, crimped, damaged and/or if any of the power cord connectors are damaged and do not insert into the fixture securely with ease.

NEVER force a power cord connector into the fixture. If the power cord or any of its connectors are damaged, replace it immediately with a new one of the same power rating.

DO NOT block any air ventilation slots; these must remain clean and never blocked. Allow approx. 7.9” (20cm) between fixture and other devices or a wall for proper cooling.

When installing fixture in a suspended environment, always use mounting hardware that is no less than M10 x 25 mm, and always attach an appropriately rated safety cable.

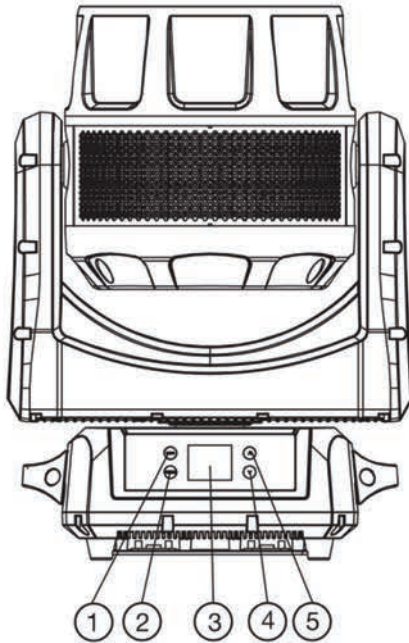
ALWAYS disconnect fixture from main power source before performing any type of service and/or cleaning procedure. Only handle the power cord by the plug end; never pull out the plug by tugging the wire portion of the cord.

During the initial operation of this fixture, a light smoke or smell may emit from the interior of the fixture. This is a normal process and is caused by excess paint in the interior of the casing burning off from the heat associated with the LED and will decrease gradually over time.

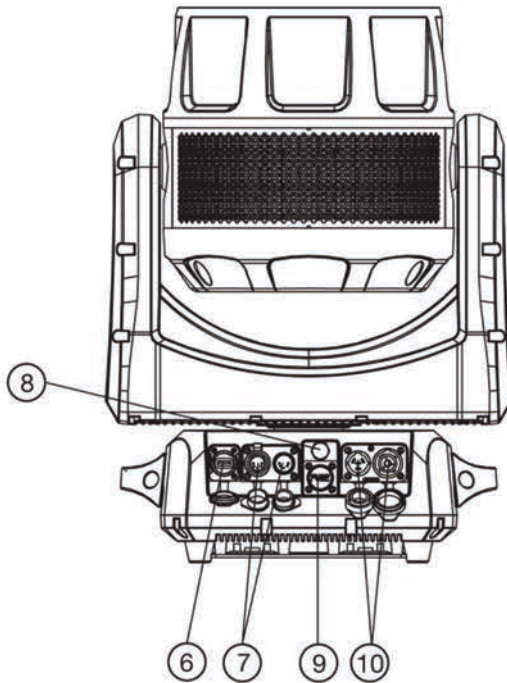
Consistent operational breaks will ensure fixture will function properly for many years.

ONLY use the original packaging and materials to transport the fixture in for service.

OVERVIEW



1. MENU Button
2. ENTER Button
3. LCD Menu Control Display
4. DOWN Button
5. UP Button
6. RJ45 Port
7. IP65, 5-Pin XLR, Data Locking In/Out
8. Gore Valve
9. Fuse
10. IP65 Locking Power In/Out



TORQUE SETTINGS & IP TESTER

TORQUE SETTINGS FOR SCREWS:

ALL SCREWS MUST BE TIGHTENED WITH A TORQUE DRIVER. All screws are Allen Head screws. Please see below for screw locations, screw quantity and torque settings. The number listed in the “#” column corresponds to the location on the fixture. See the fixture diagram and number on the next page for **SCREW LOCATION** depictions.

#	Screw Locations	Screw Torque Settings
1	Heat Sink to Head Front Cover (x8)	7.5-10.0 In-Lb
2	Sealed Back Cover to Head Back Cover (x4)	7.5-10.0 In-Lb
3	Yoke Arm Cover to Yoke Frame (8 x Each Side = 16 Total)	7.5-10.0 In-Lb
4	Access Cover to Yoke Frame (x4)	7.5-10.0 In-Lb
5	2nd Access Cover to Yoke Frame (x8)	7.5-10.0 In-Lb
6	Power & Data Connector to Base Casting (x10)	6.0-8.5 In-Lb
7	Handle to Base Casting (2 x Each Side = 4 Total)	Fasten by Air Screwdriver
8	Base Bottom Cover to Base Casting (x12)	7.5-10.0 In-Lb
9	Quick Lock Plate to Base Bottom Cover (x16)	7.5-10.0 In-Lb
10	Fixture Feet to Base Bottom (x4)	6.0-8.5 In-Lb

TORQUE DRIVERS (Recommended): UTICA TS-30 (Shown)



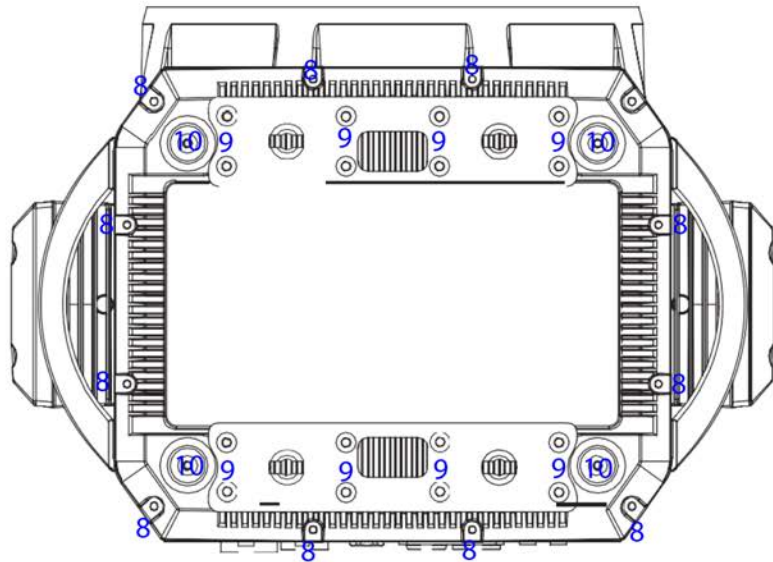
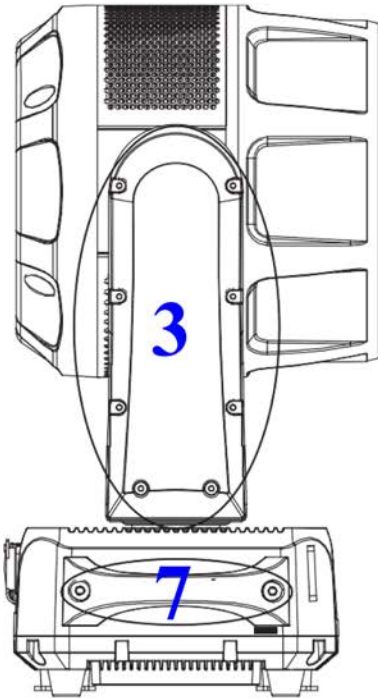
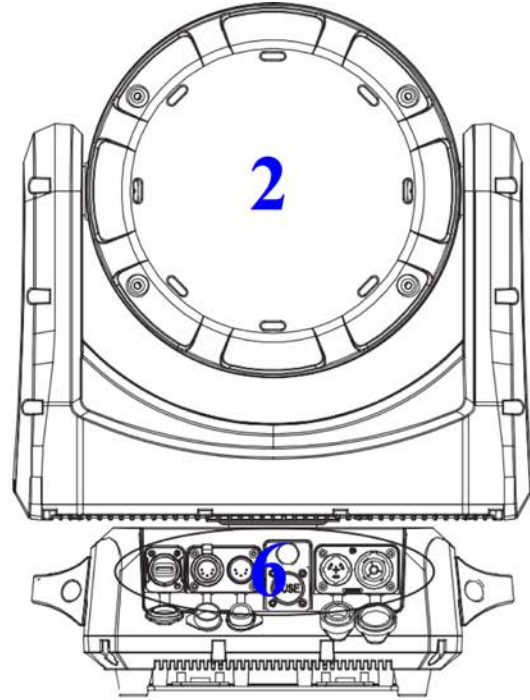
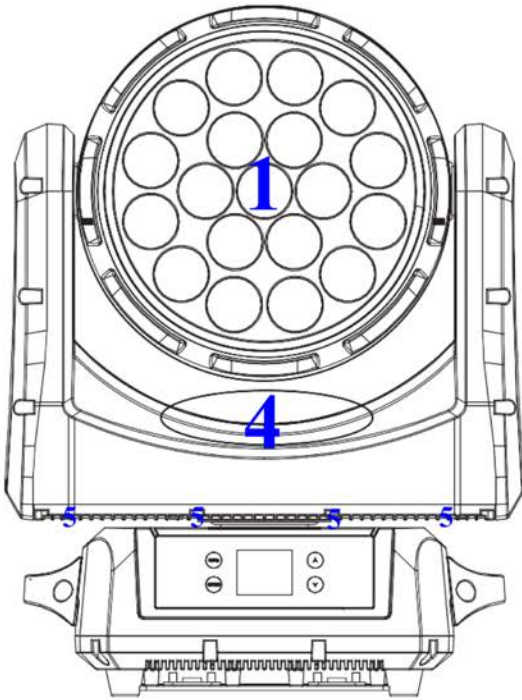
ALTERNATIVE DRIVERS:
Proto J6107A
Wiha 28887



CAUTION! DO NOT OVER TORQUE SCREWS AS THIS CAN CAUSE LEAKAGE ISSUES! TO CONFIRM THE IP65 INTEGRITY AFTER A LAMP REPLACEMENT, TEST THE FIXTURE USING THE IP TESTER.



TORQUE SCREW LOCATIONS



FIXTURE INSTALLATION



FLAMMABLE MATERIAL WARNING

Keep fixture at least 0.7 feet (0.2m) away from any flammable materials, decorations, pyrotechnics, etc.



ELECTRICAL CONNECTIONS

A qualified electrician should be used for all electrical connections and/or installations.



MINIMUM ALLOWABLE DISTANCE TO OBJECTS/SURFACES IS 1.6 FEET (0.5 METERS)



EXTERNAL SURFACE MAY REACH TEMPERATURES OF UP TO 167°F (75°C)

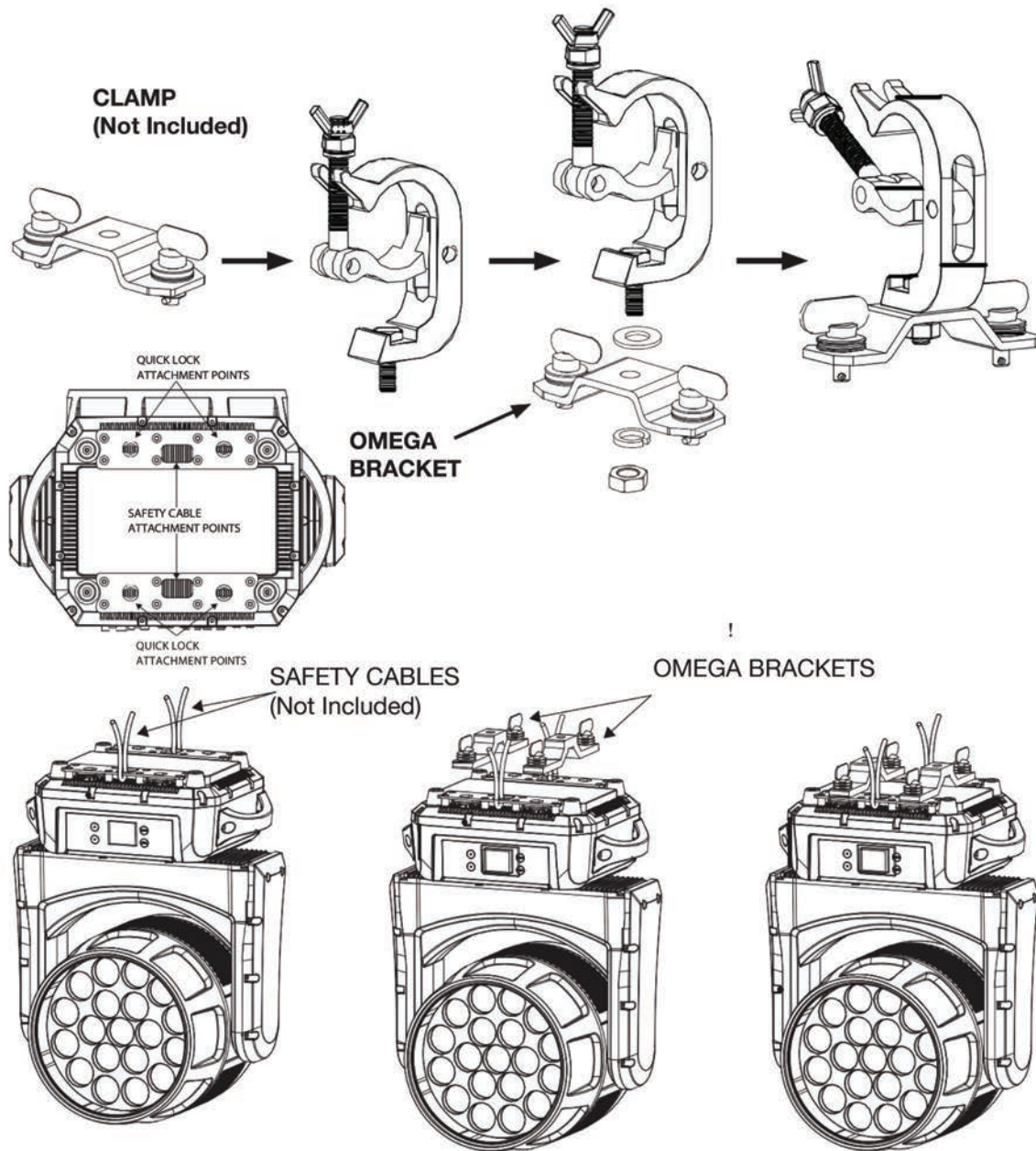
DO NOT INSTALL THE FIXTURE IF YOU ARE NOT QUALIFIED TO DO SO!

Fixture **MUST** be installed following all local, national, and country commercial electrical and construction codes and regulations. Before rigging/mounting the fixture to any metal truss/structure or placing the fixture on any surface, a professional equipment installer **MUST** be consulted to determine if the metal truss/structure or surface is properly certified to safely hold the combined weight of the fixture, clamps, cables, and accessories. Overhead fixture installation must always be secured with a secondary safety attachment, such as an appropriately rated safety cable that meets all local, national, and country codes and regulations.

Fixture maximum ambient operating temperature is **104°F. (40°C)**. Do not use this fixture outside this temperature range.

Fixture should be installed in areas outside walking paths, seating areas, or areas where unauthorized personnel might reach the fixture by hand.

FIXTURE INSTALLATION



Screw one clamp via an M12 screw and nut into the Omega Bracket. Insert the quick-lock fasteners of the Omega Bracket into the respective holes of the fixture base plate. **NOTE: The clamp must be attached to the Omega Bracket before attaching the bracket to the fixture.** Tighten the quick-lock fasteners fully clockwise. Pull the safety-cable through the openings located on the bottom of the unit and over the trussing system or a safe fixation spot. Insert the end in the carabine and tighten the safety screw.

NEVER stand directly below the fixture when rigging, removing, or servicing.

Always allow approximately 60 minutes for the fixture to cool down before servicing.

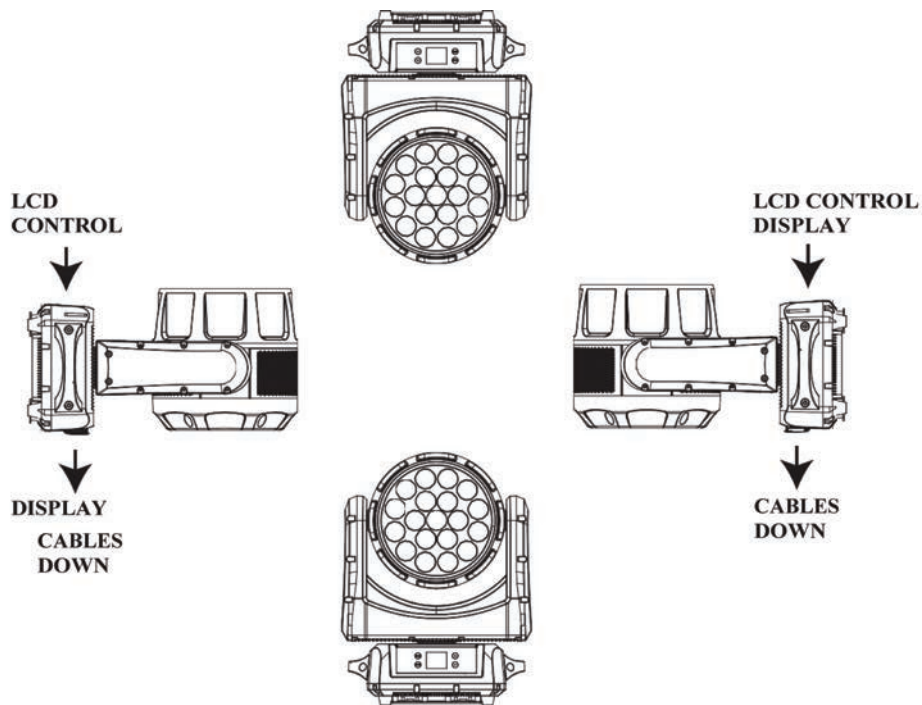
FIXTURE INSTALLATION

The trussing or area of installation must be able to support at least 10 times the weight without any deformation. The unit must be secured with a secondary safety attachment, such as an appropriately rated safety cable. Never stand directly below the unit when mounting, removing, or servicing the unit.

Overhead mounting requires extensive experience, including calculating working load limits, installation material being used, and periodic safety inspection of all installation material and the unit. If you lack these qualifications, do not attempt the installation yourself.

The installation should be checked by a skilled person once a year.

The Hydro Wash X19 is fully operational in three different mounting positions: hanging upside-down, mounted sideways on trussing, or set on a flat level surface. Always use and install a safety cable as a safety measure to prevent accidental damage and/or injury in the event the clamp fails. Never use the carrying handles to secure the secondary attachment.



SIDE MOUNTING

TO MAINTAIN IP65 RATING INTEGRITY, FIXTURE MUST BE INSTALLED WITH CABLES FACING THE GROUND AT ALL TIMES. WATER MUST EASILY RUN OFF AND NOT COLLECT AROUND CABLE CONNECTIONS.



SAFETY CABLE

ALWAYS ATTACH A SAFETY CABLE WHENEVER INSTALLING THIS FIXTURE IN A SUSPENDED ENVIRONMENT TO ENSURE THE FIXTURE WILL NOT DROP IF THE CLAMP FAILS.

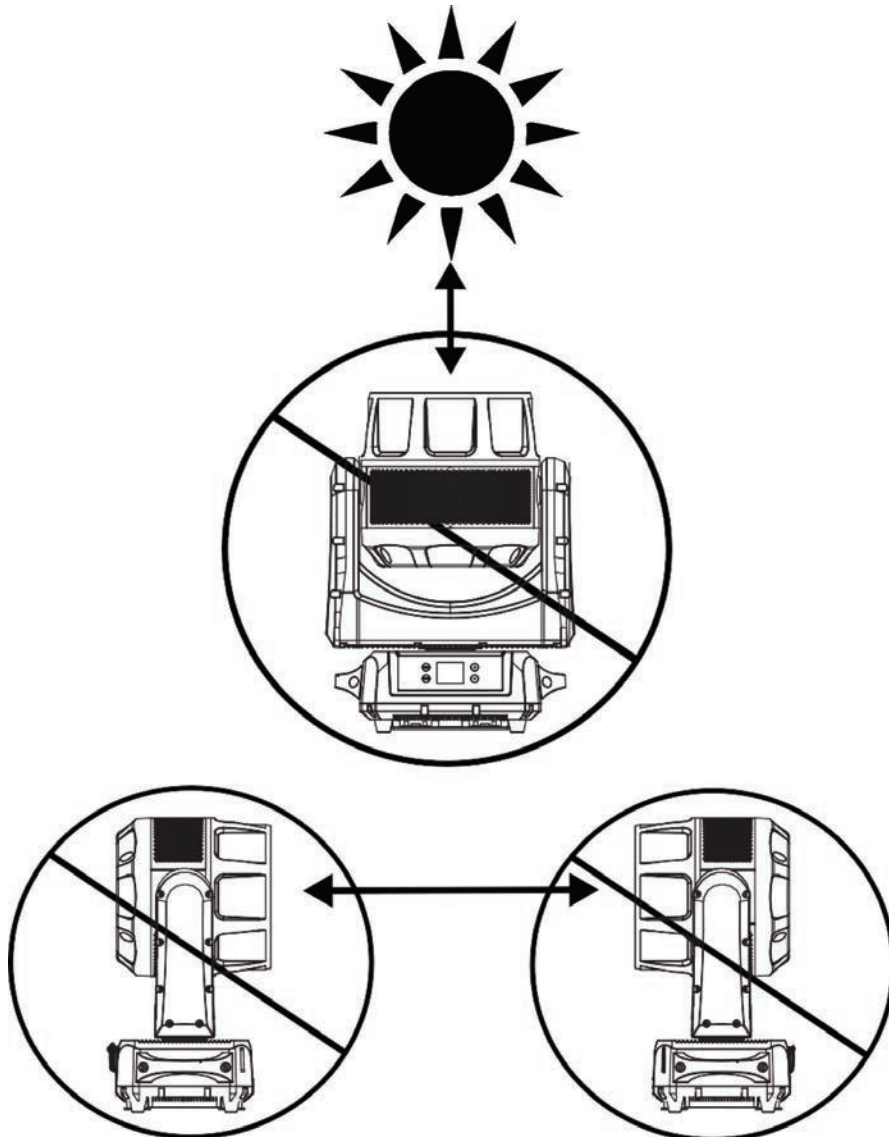
FIXTURE INSTALLATION

POTENTIAL INTERNAL FIXTURE DAMAGE FROM EXTERNAL SOURCES OF LIGHT BEAMS:

External sources of light beams from direct sunlight, lighting moving head fixtures, and lasers, which are focused directly towards the exterior housing and/or penetrate the front lens opening of ADJ lighting fixtures, can cause severe internal damage including burning to optics, dichroic color filters, glass and metal gobos, prisms, animation wheels, frost filters, iris, shutters, motors, belts, wiring, discharge lamps, and LEDs.

This issue is not specific to ADJ lighting fixtures, and is common with lighting fixtures from all manufacturers. Although there is no true way to fully prevent this issue from happening, the guidelines below can minimize the risk of potential damage if followed. Contact ADJ Service for more details.

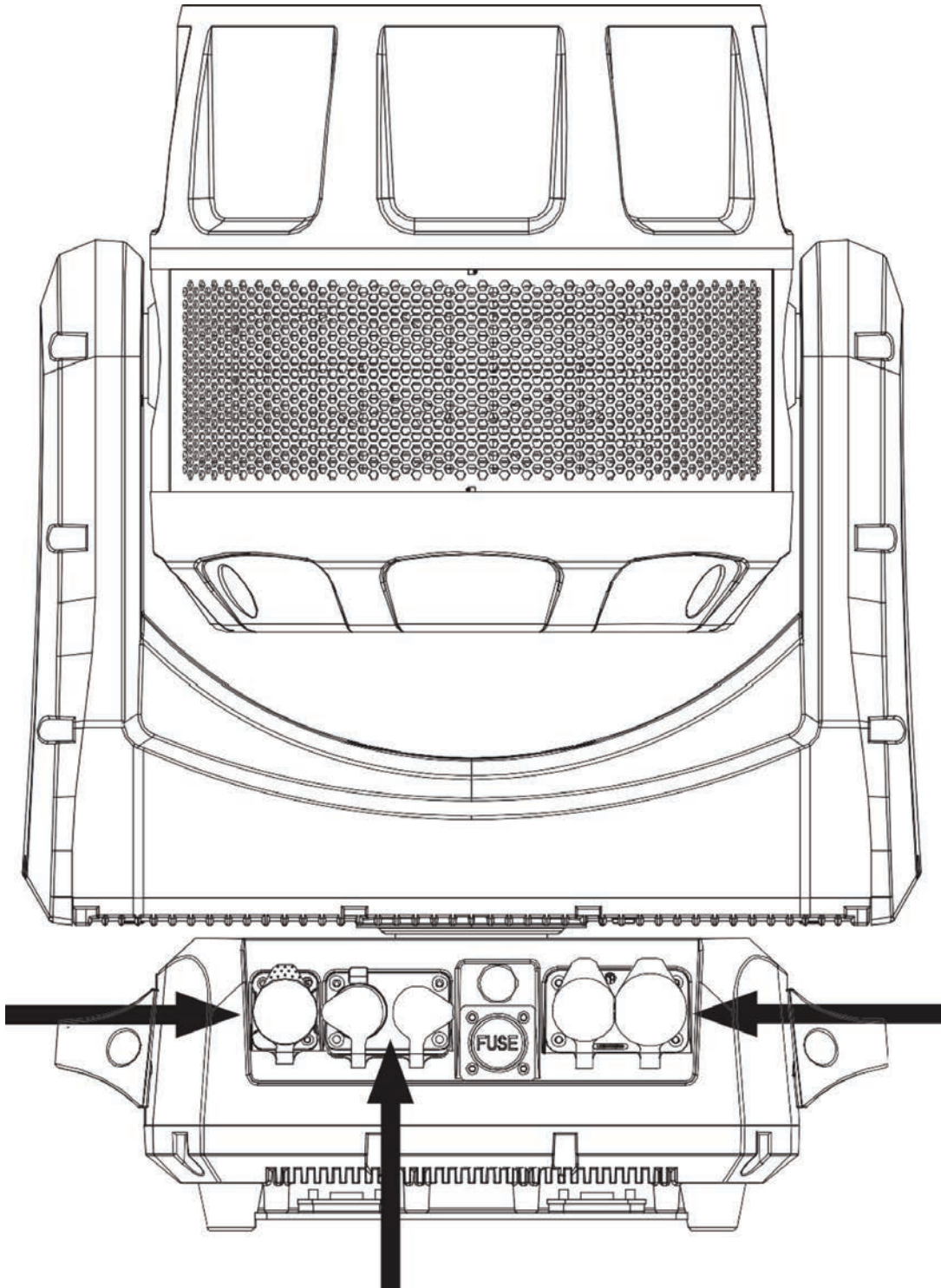
- **DO NOT EXPOSE THE FIXTURE AND/OR FRONT LENS OPENING TO LIGHT BEAMS FROM DIRECT SUNLIGHT, OTHER LIGHTING MOVING HEAD FIXTURES, AND LASERS DURING UNPACKING, INSTALLATION, USE, AND EXTENDED IDLE TIMES OUTDOORS.**
- **DO NOT FOCUS A LIGHT BEAM FROM ONE LIGHTING FIXTURE DIRECTLY TOWARDS ANOTHER.**



CONNECTIONS

ENSURE ALL CONNECTIONS AND END CAPS ARE PROPERLY SEALED WITH A DIELECTRIC GREASE (AVAILABLE AT MOST ELECTRICAL SUPPLIERS) TO PREVENT WATER CORROSION AND/OR ELECTRICAL SHORT CIRCUIT.

TO MAINTAIN IP65 RATING INTEGRITY AND PREVENT WATER FROM ENTERING THE FIXTURE, ALL UNUSED CONNECTION RUBBER CAPS MUST BE SEALED.



DMX SET UP

DMX-512: DMX is short for Digital Multiplex. This is a universal protocol used as a form of communication between intelligent fixtures and controllers. A DMX controller sends DMX data instructions from the controller to the fixture. DMX data is sent as serial data that travels from fixture to fixture via the DATA “IN” and DATA “OUT” XLR terminals located on all DMX fixtures (most controllers only have a DATA “OUT” terminal).

DMX Linking: DMX is a language allowing all makes and models of different manufacturers to be linked together and operate from a single controller, as long as all fixtures and the controller are DMX compliant. To ensure proper DMX data transmission, try to use the shortest cable path possible when using several DMX fixtures. The order in which fixtures are connected in a DMX line does not influence the DMX addressing. For example, a fixture assigned a DMX address of 1 may be placed anywhere in a DMX line: at the beginning, at the end, or anywhere in the middle. When a fixture is assigned a DMX address of 1, the DMX controller knows to send DATA assigned to address 1 to that unit, no matter where it is located in the DMX chain.

Data Cable (DMX Cable) Requirements (For DMX Operation): The Hydro Wash X19 can be controlled via DMX-512 protocol. Your unit and your DMX controller require a 5-pin XLR connector for data input and data output. We recommend IP65 rated DMX cables to secure the IP65 connections, such as our Accu Cable STR Series Data Cables. If you are making your own cables, be sure to use standard 110-120 Ohm shielded cable (This cable may be purchased at almost all pro lighting stores). Your cables should be made with an IP65 rated male 5-pin XLR type connector on one end of the cable and an IP65 rated female 5-pin XLR type connector on the other. Also remember that DMX cable must be daisy chained and cannot be split.

Special Note: Line Termination. When longer runs of cable are used, you may need to use a terminator on the last unit to avoid erratic behavior. A terminator is a 110-120 ohm 1/4 watt resistor which is connected between pins 2 and 3 of a male XLR connector (DATA + and DATA -). This unit is inserted in the female XLR connector of the last unit in your daisy chain to terminate the line. Using a cable terminator (ADJ part number Z-DMX/T) will decrease the possibilities of erratic behavior.

TO MAINTAIN IP65 RATING INTEGRITY AND PREVENT WATER FROM ENTERING THE FIXTURE, ALL UNUSED CONNECTION RUBBER CAPS MUST BE SEALED, AND ONLY IP65 RATED POWER AND DATA CABLES MUST BE USED.

DMX ADDRESSING

DMX ADDRESSING

All fixtures should be given a DMX starting address when using a DMX controller, so the correct fixture responds to the correct control signal. This digital starting address is the channel number from which the fixture starts to “listen” to the digital control signal sent out from the DMX controller. The assignment of this starting DMX address is achieved by setting the correct DMX address on the digital control display on the fixture.

You can set the same starting address for all fixtures or a group of fixtures, or set different addresses for each individual fixture. Setting all fixtures to the same DMX address will cause all fixtures to react in the same way. In other words, changing the settings of one channel will affect all the fixtures simultaneously.

If you set each fixture to a different DMX address, each unit will start to “listen” to the channel number you have set, based on the quantity of DMX channels of each fixture. That means changing the settings of one channel will only affect the selected fixture.

For example, when operating this device in 16 Channel Mode, you should set the starting DMX address of the first unit to 1, the second unit to 17 (1 + 16), the third unit to 33 (1 + 16 + 16), and so on. See the chart below for more details.

Channel Mode	Unit 1 Address	Unit 2 Address	Unit 3 Address	Unit 4 Address
16 Channels	1	17	33	49
26 Channels	1	27	53	79
88 Channels	1	89	177	265
90 Channels	1	91	181	271

DMX CHANNEL MODES

CHANNEL				VALUES	FUNCTION
16-CH	26-CH	88-CH	90-CH		
1	1	1	1	000 - 255	<i>Pan Movement</i>
2	2	2	2	000 - 255	<i>Pan Fine</i>
3	3	3	3	000 - 255	<i>Tilt Movement</i>
4	4	4	4	000 - 255	<i>Tilt Fine</i>
	5		5		<i>Colors</i>
				000 - 002	Open
				003 - 004	Color 1
				005 - 006	Color 2
				007 - 008	Color 3
				009 - 010	Color 4
				011 - 012	Color 5
				013 - 014	Color 6
				015 - 016	Color 7
				017 - 018	Color 8
				019 - 021	Color 9
				022 - 023	Color 10
				024 - 025	Color 11
				026 - 027	Color 12
				028 - 029	Color 13
				030 - 031	Color 14
				032 - 033	Color 15
				034 - 035	Color 16
				036 - 037	Color 17
				038 - 039	Color 18
				040 - 042	Color 19
				043 - 044	Color 20
				045 - 046	Color 21
				047 - 048	Color 22
049 - 050	Color 23				
051 - 052	Color 24				

CONTINUED ON NEXT PAGE

DMX CHANNEL MODES

CHANNEL				VALUES	FUNCTION
16-CH	26-CH	88-CH	90-CH		
					Colors (continued)
				053 - 054	Color 25
				055 - 056	Color 26
				057 - 058	Color 27
				059 - 060	Color 28
				061 - 063	Color 29
				064 - 127	Color Indexing
				128 - 189	Clockwise Rotation, fast to slow
				190 - 193	Stop
				194 - 255	Counter-Clockwise Rotation, slow to fast
	6		6	000 - 255	Color Macros, see Color Macros Chart
5				000 - 255	Red (All), 0% - 100%
6				000 - 255	Green (All), 0% - 100%
7				000 - 255	Blue (All), 0% - 100%
8				000 - 255	White (All), 0% - 100%
9	7	81	7	000 - 255	Color Temperatures, see Color Temperature Chart
		5	8	000 - 255	Red (1), 0% - 100%
		6	9	000 - 255	Green (1), 0% - 100%
		7	10	000 - 255	Blue (1), 0% - 100%
		8	11	000 - 255	White (1), 0% - 100%
		9	12	000 - 255	Red (2), 0% - 100%
		10	13	000 - 255	Green (2), 0% - 100%
		11	14	000 - 255	Blue (2), 0% - 100%
		12	15	000 - 255	White (2), 0% - 100%
		13	16	000 - 255	Red (3), 0% - 100%
		14	17	000 - 255	Green (3), 0% - 100%
		15	18	000 - 255	Blue (3), 0% - 100%
		16	19	000 - 255	White (3), 0% - 100%
		17	20	000 - 255	Red (4), 0% - 100%

CONTINUED ON NEXT PAGE

DMX CHANNEL MODES

CHANNEL				VALUES	FUNCTION
16-CH	26-CH	88-CH	90-CH		
		18	21	000 - 255	Green (4) , 0% - 100%
		19	22	000 - 255	Blue (4) , 0% - 100%
		20	23	000 - 255	White (4) , 0% - 100%
		21	24	000 - 255	Red (5) , 0% - 100%
		22	25	000 - 255	Green (5) , 0% - 100%
		23	26	000 - 255	Blue (5) , 0% - 100%
		24	27	000 - 255	White (5) , 0% - 100%
		25	28	000 - 255	Red (6) , 0% - 100%
		26	29	000 - 255	Green (6) , 0% - 100%
		27	30	000 - 255	Blue (6) , 0% - 100%
		28	31	000 - 255	White (6) , 0% - 100%
		29	32	000 - 255	Red (7) , 0% - 100%
		30	33	000 - 255	Green (7) , 0% - 100%
		31	34	000 - 255	Blue (7) , 0% - 100%
		32	35	000 - 255	White (7) , 0% - 100%
		33	36	000 - 255	Red (8) , 0% - 100%
		34	37	000 - 255	Green (8) , 0% - 100%
		35	38	000 - 255	Blue (8) , 0% - 100%
		36	39	000 - 255	White (8) , 0% - 100%
		37	40	000 - 255	Red (9) , 0% - 100%
		38	41	000 - 255	Green (9) , 0% - 100%
		39	42	000 - 255	Blue (9) , 0% - 100%
		40	43	000 - 255	White (9) , 0% - 100%
		41	44	000 - 255	Red (10) , 0% - 100%
		42	45	000 - 255	Green (10) , 0% - 100%
		43	46	000 - 255	Blue (10) , 0% - 100%
		44	47	000 - 255	White (10) , 0% - 100%
		45	48	000 - 255	Red (11) , 0% - 100%
		46	49	000 - 255	Green (11) , 0% - 100%
		47	50	000 - 255	Blue (11) , 0% - 100%

CONTINUED ON NEXT PAGE

DMX CHANNEL MODES

CHANNEL				VALUES	FUNCTION
16-CH	26-CH	88-CH	90-CH		
		48	51	000 - 255	White (11) , 0% - 100%
		49	52	000 - 255	Red (12) , 0% - 100%
		50	53	000 - 255	Green (12) , 0% - 100%
		51	54	000 - 255	Blue (12) , 0% - 100%
		52	55	000 - 255	White (12) , 0% - 100%
		53	56	000 - 255	Red (13) , 0% - 100%
		54	57	000 - 255	Green (13) , 0% - 100%
		55	58	000 - 255	Blue (13) , 0% - 100%
		56	59	000 - 255	White (13) , 0% - 100%
		57	60	000 - 255	Red (14) , 0% - 100%
		58	61	000 - 255	Green (14) , 0% - 100%
		59	62	000 - 255	Blue (14) , 0% - 100%
		60	63	000 - 255	White (14) , 0% - 100%
		61	64	000 - 255	Red (15) , 0% - 100%
		62	65	000 - 255	Green (15) , 0% - 100%
		63	66	000 - 255	Blue (15) , 0% - 100%
		64	67	000 - 255	White (15) , 0% - 100%
		65	68	000 - 255	Red (16) , 0% - 100%
		66	69	000 - 255	Green (16) , 0% - 100%
		67	70	000 - 255	Blue (16) , 0% - 100%
		68	71	000 - 255	White (16) , 0% - 100%
		69	72	000 - 255	Red (17) , 0% - 100%
		70	73	000 - 255	Green (17) , 0% - 100%
		71	74	000 - 255	Blue (17) , 0% - 100%
		72	75	000 - 255	White (17) , 0% - 100%
		73	76	000 - 255	Red (18) , 0% - 100%
		74	77	000 - 255	Green (18) , 0% - 100%
		75	78	000 - 255	Blue (18) , 0% - 100%
		76	79	000 - 255	White (18) , 0% - 100%
		77	80	000 - 255	Red (19) , 0% - 100%

CONTINUED ON NEXT PAGE

DMX CHANNEL MODES

CHANNEL				VALUES	FUNCTION
16-CH	26-CH	88-CH	90-CH		
		78	81	000 - 255	Green (19) , 0% - 100%
		79	82	000 - 255	Blue (19) , 0% - 100%
		80	83	000 - 255	White (19) , 0% - 100%
	8			000 - 255	Red Zone 1 , 0% - 100%
	9			000 - 255	Green Zone 1 , 0% - 100%
	10			000 - 255	Blue Zone 1 , 0% - 100%
	11			000 - 255	White Zone 1 , 0% - 100%
	12			000 - 255	Red Zone 2 , 0% - 100%
	13			000 - 255	Green Zone 2 , 0% - 100%
	14			000 - 255	Blue Zone 2 , 0% - 100%
	15			000 - 255	White Zone 2 , 0% - 100%
	16			000 - 255	Red Zone 3 , 0% - 100%
	17			000 - 255	Green Zone 3 , 0% - 100%
	18			000 - 255	Blue Zone 3 , 0% - 100%
	19			000 - 255	White Zone 3 , 0% - 100%
10	20	82	84		Shutter & Strobe
				000 - 031	Shutter Closed
				032 - 063	Shutter Open
				064 - 095	Strobe Effect, slow to fast
				096 - 127	Shutter Open
				128 - 159	Pulse Effect in Sequences
				160 - 191	Shutter Open
				192 - 223	Random Strobe Effect, slow to fast
				224 - 255	Shutter Open
11	21	83	85	000 - 255	Dimmer , 0% - 100%
12	22	84	86	000 - 255	Dimmer Fine
13	23	85	87	000 - 255	Zoom , wide to narrow

CONTINUED ON NEXT PAGE

DMX CHANNEL MODES

CHANNEL				VALUES	FUNCTION
16-CH	26-CH	88-CH	90-CH		
14	24	86	88		<i>Dimmer Modes</i>
				000 - 020	Standard
				021 - 040	Stage
				041 - 060	TV
				061 - 080	Architectural
				081 - 100	Theatre
				101 - 120	Stage 2
					<i>Dimmer Delay Time</i>
				121	0.1 Sec
				122	0.2 Sec
				123	0.3 Sec
				124	0.4 Sec
				125	0.5 Sec
				126	0.6 Sec
				127	0.7 Sec
				128	0.8 Sec
				129	0.9 Sec
				130	1.0 Sec
				131	1.5 Sec
				132	2.0 Sec
				133	3.0 Sec
				134	4.0 Sec
				135	5.0 Sec
136	6.0 Sec				
137	7.0 Sec				
138	8.0 Sec				
139	9.0 Sec				
140	10 Sec				
	141 - 255	Default to unit setting (Standard Mode)			
15	25	87	89	000 - 255	<i>Pan/Tilt Speed</i> , fast to slow

CONTINUED ON NEXT PAGE

DMX CHANNEL MODES

CHANNEL				VALUES	FUNCTION
16-CH	26-CH	88-CH	90-CH		
16	26	88	90		<i>Special Functions</i>
				000 - 010	Default LED Refresh Rate (1200 Hz)
				011	900 Hz
				012	1000 Hz
				013	1100 Hz
				014	1300 Hz
				015	1400 Hz
				016	1500 Hz
				017	2500 Hz
				018	4000 Hz
				019	5000 Hz
				020	6000 Hz
				021	10,000 Hz
				022	15,000 Hz
				023	Default to unit setting
				024 - 079	No function
				080 - 089	Enable blackout w/ pan/tilt movement
				090 - 099	Disable blackout w/ pan/tilt movement
				100 - 139	No function
				140 - 149	Pan/Tilt Reset
				150 - 159	Zoom Reset
				160 - 199	Null
				200 - 209	All Reset
				210 - 239	Null
240 - 255	No Function				

COLOR MACRO CHART

Color No.	DMX Value	Red	Green	Blue	White
Off	000	0	0	0	0
Color1	001 - 004	80	255	234	80
Color2	005 - 008	80	255	164	80
Color3	009 - 012	77	255	112	77
Color4	013 - 016	117	255	83	83
Color5	017 - 020	160	255	77	77
Color6	021 - 024	223	255	83	83
Color7	025 - 028	255	243	77	77
Color8	029 - 032	255	200	74	74
Color9	033 - 036	255	166	77	77
Color10	037 - 040	255	125	74	74
Color11	041 - 044	255	97	77	74
Color12	045 - 048	255	71	77	71
Color13	049 - 052	255	83	134	83
Color14	053 - 056	255	93	182	93
Color15	057 - 060	255	96	236	96
Color16	061 - 064	238	93	255	93
Color17	065 - 068	196	87	255	87
Color18	069 - 072	150	90	255	90
Color19	073 - 076	100	77	255	77
Color20	077 - 080	77	100	255	77
Color21	081 - 084	67	148	255	67
Color22	085 - 088	77	195	255	77
Color23	089 - 092	77	234	255	77
Color24	093 - 096	158	255	144	144
Color25	097 - 100	255	251	153	153
Color26	101 - 104	255	175	147	147
Color27	105 - 108	255	138	186	138
Color28	109 - 112	255	147	251	147
Color29	113 - 116	151	138	255	138
Color30	117 - 120	99	0	255	100
Color31	121 - 124	1378	169	255	138
Color32	125 - 128	255	255	255	255

COLOR MACRO CHART

Color No.	DMX Value	Red	Green	Blue	White
Color33	129 - 132	255	206	143	0
Color34	133 - 136	254	177	153	0
Color35	137 - 140	254	192	138	0
Color36	141 - 144	254	165	98	0
Color37	145 - 148	254	121	0	0
Color38	149 - 152	176	17	0	0
Color39	153 - 156	96	0	11	0
Color40	157 - 160	234	139	171	0
Color41	161 - 164	224	5	97	0
Color42	165 - 168	175	77	173	0
Color43	169 - 172	119	130	199	0
Color44	173 - 176	147	164	212	0
Color45	177 - 180	88	2	163	0
Color46	181 - 184	0	38	86	0
Color47	185 - 188	0	142	208	0
Color48	189 - 192	52	148	209	0
Color49	193 - 196	1	134	201	0
Color50	197 - 200	0	145	212	0
Color51	201 - 204	0	121	192	0
Color52	205 - 208	0	129	184	0
Color53	209 - 212	0	83	115	0
Color54	213 - 216	0	97	166	0
Color55	217 - 220	1	100	167	0
Color56	221 - 224	0	40	86	0
Color57	225 - 228	209	219	182	0
Color58	229 - 232	42	165	85	0
Color59	233 - 236	0	46	35	0
Color60	237 - 240	8	107	222	0
Color61	241 - 244	255	0	0	0
Color62	245 - 248	0	255	0	0
Color63	249 - 252	0	0	255	0
Color64	253 - 255	0	0	0	255

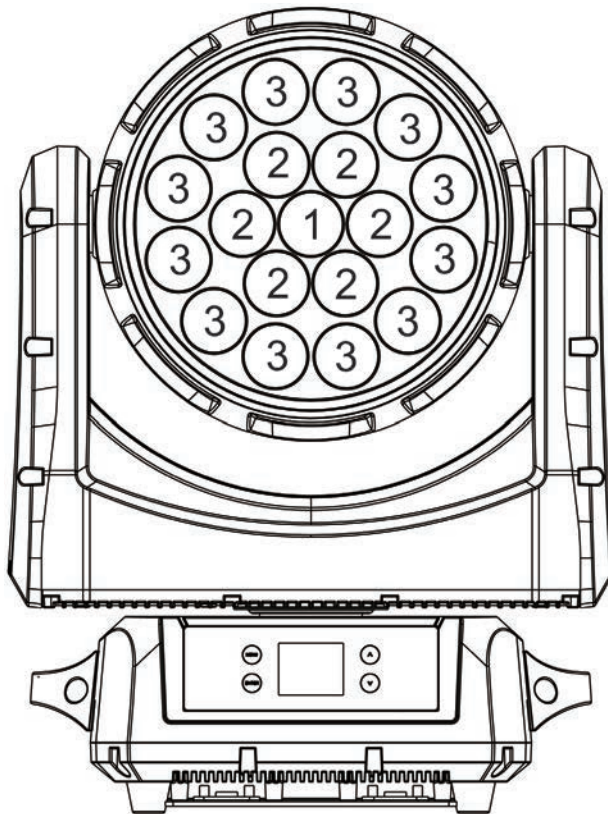
COLOR TEMPERATURE CHART

DMX VALUES	TEMPERATURE
000 - 035	Off
036 - 040	2700K
041 - 045	2800K
046 - 050	2900K
051 - 055	3000K
056 - 060	3100K
061 - 065	3200K
066 - 070	3300K
071 - 075	3400K
076 - 080	3500K
081 - 085	3600K
086 - 090	3700K
091 - 095	3800K
096 - 100	3900K
101 - 105	4000K
106 - 110	4100K
111 - 115	4200K
116 - 120	4300K
121 - 125	4400K
126 - 130	4500K
131 - 135	4600K
136 - 140	4700K
141 - 145	4800K

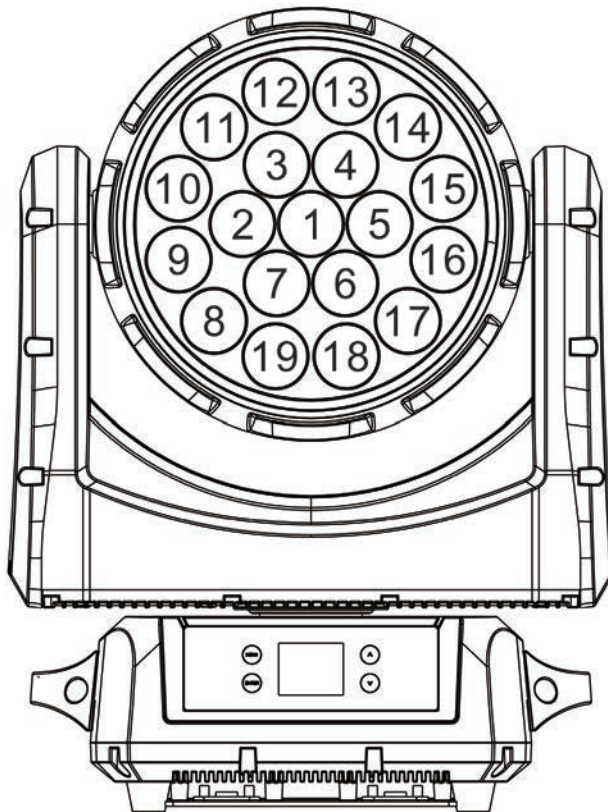
DMX VALUES	TEMPERATURE
146 - 150	4900K
151 - 155	5000K
156 - 160	5100K
161 - 165	5200K
166 - 170	5300K
171 - 175	5400K
176 - 180	5500K
181 - 185	5600K
186 - 190	5700K
191 - 195	5800K
196 - 200	5900K
201 - 205	6000K
206 - 210	6100K
211 - 215	6200K
216 - 220	6300K
221 - 225	6400K
226 - 230	6500K
231 - 235	6600K
236 - 240	6700K
241 - 245	6800K
246 - 250	6900K
251 - 255	7000K

PIXEL ZONES

26-CHANNEL MODE:



88-CHANNEL MODE / 91-CHANNEL MODE:



SYSTEM MENU

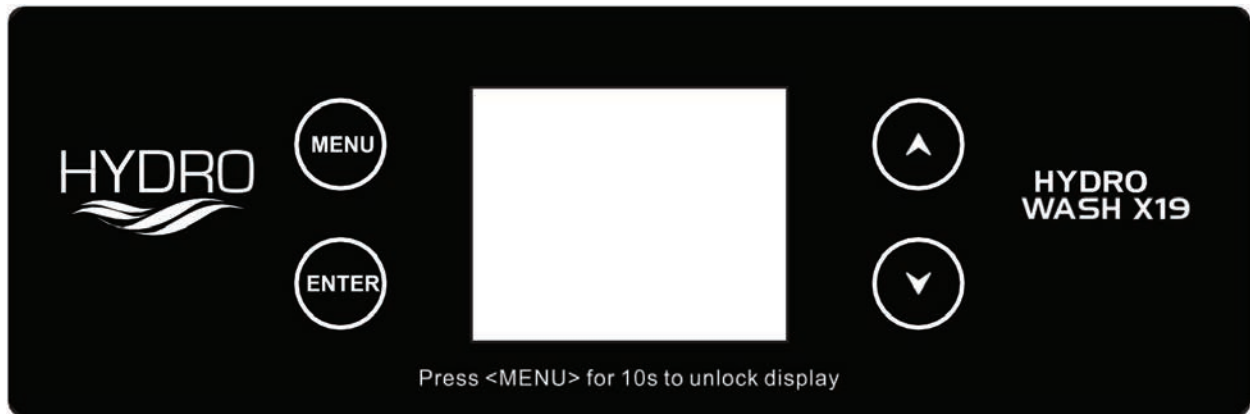
The fixture includes an easy to navigate system menu control panel where all necessary settings and adjustments are made. (See image below) During normal operation, pressing the **MENU** button once will access the fixture's main menu. Once in the main menu, you can navigate through the different functions and access the sub-menus with the **UP** and **DOWN** buttons. When you reach a field that requires adjusting, press the **ENTER** button to access that field and use the **UP** and **DOWN** buttons to adjust the field. Pressing the **ENTER** button once more will confirm your setting. You may exit the main menu at any time without making any adjustments by pressing the **MENU** button.

SYSTEM LOCK/UNLOCK: When the display lock function is activated, the display and system menu will lock after 10 seconds of inactivity. To UNLOCK the display, press and HOLD the **MENU** button for 10+ seconds. A timer will appear at the bottom right of the display indicating the passing seconds from 0-9. Once the timer reaches 9 seconds, the display will unlock to allow access to the system menu.

DO NOT RELEASE THE MENU BUTTON UNTIL THE DISPLAY IS UNLOCKED.

If the **MENU** button is released before the timer reaches 9 seconds and/or the display is unlocked, the display will not unlock and the time will be reset.

NOTE: The timer will not appear in the display if the lock function is disabled.



SYSTEM MENU

DMX SETTINGS	DMX Address	001 - 512			
	DMX Channel Mode	16 Ch			
		26 Ch			
		88 Ch			
		90 Ch			
	No DMX Status	Hold Last			
		Blackout			
		Int Programs			
Manual					
ETHERNET SETTINGS	Protocol	ArtNet	Has priority over DMX and E-Fly when enabled		
		sACN	Has priority over DMX and E-Fly when enabled		
		KlingNet			
		Disable			
	IP Address	2.1.1.1			
	Net Mask	255.0.0.0			
	ArtNet Universe	0 - 32, 767			
	sACN Settings	sACN Universe	00001 - 32000		
		sACN Priority	0 - 255		
	Lock Ethernet Setting	On / Off			
PERSONALITY	Select Signal	DMX	Yes / No		
		WiFly	Yes / No		
		WiFly and DMX Out	Yes / No		
	Status Settings	Pan Invert	On / Off		
		Tilt Invert	On / Off		
		P/T Feedback	On / Off		
		P/T Speed	Speed 1		
			Speed 2		
		Hibernation	Off		Default = 15 M
	01 M - 99 M				
CONTINUED ON NEXT PAGE					

SYSTEM MENU

PERSONALITY (continued)	WiFly Settings	Set WiFly Channel	0 - 14		
		Enable WiFly / Disable WiFly			
	Fan Settings	Head	Auto		
			High		
			Silent (Low)		
		Base	Auto		
			High		
			Silent (Low)		
	Dim Modes	Standard			
		Stage			
		TV			
		Architectural			
		Theatre			
		Stage2			
		Dim Speed	0.1 - 0.9 s, 1 - 10s		
	LED Refresh Rate	900 Hz			
		1000 Hz			
		1100 Hz			
		1200 Hz			
		1300 Hz			
		1400 Hz			
		1500 Hz			
		2500 Hz			
		4000 Hz			
		5000 Hz			
		6000 Hz			
		10,000 Hz			
15,000 Hz					

CONTINUED ON NEXT PAGE

SYSTEM MENU

PERSONALITY (continued)	Gamma	1.0		
		2.0		
		2.2		
		2.4		
		2.6		
		2.8		
	Reset Motors	Reset All Motor	Yes / No	
		Pan/Tilt Reset	Yes / No	
		Zoom Reset	Yes / No	
	Display	Intensity	1 - 10	
		Display Invert	Yes / No	
		Screen Saver Delay	Off - 10m	
		Lock On/Off	On / Off	
	Service	Passcode = 050	Calibration	Pan: -128 - 127
				Tilt: -128 - 127
				Red: 125 - 255
				Green: 125 - 255
				...
				White19: 125 - 255
Zoom -128 - 127				
Factory Restore	Yes / No			
MANUAL CONTROL	Mode 1	Pan	000 - 255	
		Tilt	000 - 255	
		Color	000 - 255	
		Red1	000 - 255	
		
		White 19	000 - 255	
		Color Macros	000 - 255	

CONTINUED ON NEXT PAGE

SYSTEM MENU

MANUAL CONTROL (continued)	Mode 1 (continued)	Shutter	000 - 255	
		Dimmer	000 - 255	
		Zoom	000 - 255	
		Special Function	000 - 255	
	Mode 2	Pan	000 - 255	
		Tilt	000 - 255	
		Color	000 - 255	
		All Red	000 - 255	
		All Green	000 - 255	
		All Blue	000 - 255	
		All White	000 - 255	
		Color Macros	000 - 255	
		Shutter	000 - 255	
		Dimmer	000 - 255	
Zoom	000 - 255			
INTERNAL PROGRAMS	Program 0	Speed	000 - 255	
		Fade	000 - 255	
	Program 1	Speed	000 - 255	
		Fade	000 - 255	
	Program 2	Speed	000 - 255	
		Fade	000 - 255	
	Program 3	Speed	000 - 255	
		Fade	000 - 255	
	Program 4	Speed	000 - 255	
		Fade	000 - 255	
TARGET MODE	Mode 0			
	Mode 1			
	Mode 2			
	Mode 3			
	Mode 4			

CONTINUED ON NEXT PAGE

SYSTEM MENU

INFORMATION	Fixture Life Time	Power On Time	Total hours fixture has been powered on. Cannot be reset.			
		P-On Time-R	Current hours that fixture has been powered on. Resettable back to 0.			
		P-On Time-Reset	Select to reset power on time. Passcode = 050.			
	Total LED Time	LED On Time	Total hours LED has been powered on. Cannot be reset.			
		LED On Time-R	Current hours that LED has been powered on. Resettable back to 0.			
		LED On Time Reset	Select to reset current LED on time. Passcode = 050			
	Fixture Temps	LEDs	Current (F / C)			
			Max Resettable (F / C)	Current max temp reading since last reset		
			Max Not Resettable (F / C)	All time max temp reading. Cannot be reset		
		Head	Current (F / C)			
			Max Resettable (F / C)	Current max temp reading since last reset		
			Max Not Resettable (F / C)	All time max temp reading. Cannot be reset		
		Base	Current (F / C)			
			Max Resettable (F / C)	Current max temp reading since last reset		
			Max Not Resettable (F / C)	All time max temp reading. Cannot be reset		
			Reset LED Temp	Yes / No		
			Reset Head Temp	Yes / No		
			Reset Base Temp	Yes / No		
	Humidity	Head				
		Base				

CONTINUED ON NEXT PAGE

SYSTEM MENU

INFORMATION (continued)	Fan Info (RPM)	LED Fan 1		
		LED Fan 2		
		Head Fan 1		
		Head Fan 2		
		Head Fan 3		
		Base Fan 1		
		Base Fan 2		
		Arm Fan 1		
		Arm Fan 2		
	DMX Values*	Pan		
		Pan Fine		
		Tilt		
		...		
		P/T Sp.		
		Spe. Func.		
	Error Logs	Fixture Errors	Passcode = 050	
		Reset Error Log	Yes / No	Passcode = 050
	Max Temp LED On	32 - 169°F, 90°F (0 - 76°C, 32°C)		
	High Temp Off	169°F, 90°F (76°C, 32°C)		
	Software Version	1.2		

***Note: DMX Values settings depend on which DMX Channel Mode has been selected.**

SYSTEM MENU

DMX SETTINGS - The submenus listed under DMX SETTINGS are as follows: DMX Address, DMX Channel Mode, and No DMX Status.

- **DMX ADDRESS** - In this submenu you can find and set your desired DMX address.
- **DMX CHANNEL MODE** - In this submenu you can find and set your desired DMX channel mode.
- **NO DMX STATUS** - This submenu setting determines how the device will behave in the event that the DMX signal is lost or interrupted. The operating mode chosen in this submenu is the running mode the fixture will go into when the DMX signal is lost. Listed below are the 3 modes.
 - **Hold Last** - This setting will have the fixture stay in the last DMX setup.
 - **Blackout** - This setting will have the fixture automatically go into stand by mode.
 - **Manual** - This setting will go into the current manual control set up. See MANUAL CONTROL.

ETHERNET SETTINGS – The submenus listed under ETHERNET SETTINGS are as follows: Protocol, IP Address, Net Mask, Artnet Universe, sACN Settings, and Lock Ethernet Settings.

- **Protocol** – Allows the user to select from Artnet, sACN, or KlingNet as the communications protocol to be used. This may also be disabled for manual control.
- **IP Address** – Shows the IP address of the unit, and allows the user to assign a custom IP address if desired.
- **Net Mask** – Shows the netmask of the unit.
- **Artnet Universe** – Displays the currently-assigned Artnet Universe value, and allows the user to define a custom value, if desired.
- **sACN Settings** – Displays currently-assigned values for the sACN Universe and sACN Priority, and allows the user to define custom values for both parameters, if desired.
- **Lock Ethernet Setting** – Locks or permits changes to Ethernet Settings.

PERSONALITY - The submenus listed under PERSONALITY are as follows: Select Signal, Status Settings, WiFly Settings, Fan Settings, Dim Modes, LED Refresh Rate, Gamma Setting, Reset Motors, Display, and Service.

- **SELECT SIGNAL** - In this submenu you can select your desired DMX control mode:
 - **DMX** - Control the unit via DMX cable connection.
 - **WiFly** - Control the unit via WiFly.
 - **WiFly and DMX Out** - Control the unit via WiFly connection. The DMX signal is sent to the next unit via DMX cable.
- **STATUS SETTINGS** - In this submenu you are able to access and adjust/change: Pan Invert, Tilt Invert, P./T. Feedback, P./T. Speed, and Hibernation.
- **WIFLY SETTINGS** - In this submenu you are able to access and adjust/change: WiFly Channel setting and Enable/Disable WiFly.
- **FAN SETTINGS** - In this submenu you are able to select your desired fan speed settings for both the head and base fans.
- **DIM MODES** - In this submenu you are able to select your desired dimmer mode and adjust the dimming speed time. See section pertaining to the Dimmer Curve Charts.
- **LED REFRESH RATE** - In this submenu you are able to select your desired LED refresh rate.
- **GAMMA** - In this submenu you are able to select your desired gamma setting.
- **RESET MOTORS** - In this submenu you are able to reset selected motors.
- **DISPLAY** - In this submenu you are able to access and adjust/change the backlight intensity, display inversion, screen saver display time, and display lock function.
- **SERVICE** - In this submenu you are able to access the calibration adjustment, software update, and restore the factory settings.

SYSTEM MENU

MANUAL CONTROL - This menu is for manual testing and manual control. Under MANUAL CONTROL the fixture has two control modes; "MODE 1" and "MODE 2".

NOTE: NO DMX STATUS must be set to "Manual" when using Manual Control.

INTERNAL PROGRAMS - This menu allows you to select 1 of 4 internal programs to run. Program speed and fade speed are adjustable. The selected program will also run when "Int Program" is selected under the "NO DMX STATUS" setting.

TARGET MODE - Target mode is a restrictive pan/tilt control limiting the movement to a certain degree. See the **Target Mode** section of this manual for more details.

INFORMATION - The submenus listed under INFORMATION are as follows: Fixture Life Time, Total LED Time, Fixture Temps, Humidity, Fan Info. (RPM), DMX Values, Error Logs, Max Temp LED ON, High Temp LED OFF, and Software Version.

- **FIXTURE LIFE TIME**

- **Power On Time** - The TOTAL power ON running time of the unit is displayed. This time CANNOT be reset.
- **P-On Time-R** - The CURRENT power ON running time of the unit is displayed. This running time may not be the same as the total power ON running time displayed under "Power On Time". This time CAN be reset. NOTE: The displayed time represents the current power ON time since the last reset.
- **P-On Time Reset** - Reset the CURRENT power ON running time that is displayed under "P-On Time-R".

- **TOTAL LED TIME**

- **LED On Time** - The TOTAL LED ON time is displayed. This total LED ON time CANNOT be reset. NOTE: The displayed time represents the TOTAL LED ON time.
- **LED On Time-R** - The CURRENT LED ON running time is displayed. This running time may not be the same as the total LED ON time displayed under "LED On Time". This total LED ON time CAN be reset. NOTE: The displayed time represents the CURRENT LED ON time since the last reset.
- **LED On Time Reset** - With this function you can reset the CURRENT LED ON time that is displayed under "LED On Time-R".

SYSTEM MENU

INFORMATION (continued) - The submenus listed under INFORMATION are as follows: Fixture Life Time, Total LED Time, Fixture Temps, Humidity, Fan Info. (RPM), DMX Values, Error Logs, Max Temp LED ON, High Temp LED OFF, and Software Version.

- **FIXTURE TEMPS**
 - **LED's**
 - Current - Current temperature of the LED's is displayed.
 - Max Resettable - Maximum LED temperature that has been recorded, before reset and after reset. (Resettable)
 - Max Not Resettable - Overall maximum LED temperature that has been recorded. (Not Resettable)
 - **Head**
 - Current - Current temperature of the head is displayed.
 - Max Resettable - Maximum base temperature that has been recorded, before reset and after reset. (Resettable)
 - Max Not Resettable - Overall maximum moving head temperature that has been recorded. (Not Resettable)
 - **Base**
 - Current - Current temperature of the base is displayed.
 - Max Resettable - Maximum base temperature that has been recorded, before reset and after reset. (Resettable)
 - Max Not Resettable - Overall maximum moving base temperature that has been recorded. (Not Resettable)
 - **Reset LED Temp** - Reset the LED temperature reading.
 - **Reset head Temp** - Reset the head temperature reading.
 - **Reset Base Temp** - Reset the base temperature reading.
- **HUMIDITY**
 - **Head Humidity** - The current humidity of the moving head is displayed.
 - **Base Humidity** - The current humidity of the base is displayed.
- **FAN INFO. (RPM)** - In this submenu the current LED, base, and arm fan speed will be displayed.
- **DMX VALUES** - Displays the DMX values of any DMX channel that is currently in use. NOTE: DMX value options depend on the current DMX channel mode setting.
- **ERROR LOGS** - In this submenu you are able to check any unit errors as well as clear the error log.
- **MAX TEMP LED ON** - In this submenu you are able to check the normal operating temperatures as well as the current temperature of the fixture.
- **HIGH TEMP LED OFF** - In this submenu you are able to check the normal operating temperatures as well as the current temperature of the fixture.
- **SOFTWARE VERSION** - Current software version is displayed.

WIFLY CONTROL



BEFORE SETTING THE WIRELESS CHANNEL ON ANY WIFLY FIXTURE, MAKE SURE THE SOURCE WIFLY WIRELESS DMX TRANSCEIVER DEVICE IS OFF.

With this feature you are able to control the unit with DMX without the use of XLR cables. Your DMX controller must be connected to a ADJ WiFly Transceiver to use this function. Effective range is up to 2500 feet/760 meters (open line of sight).

1. Ensure the source WiFly wireless DMX Transceiver device is powered OFF.
2. Power ON the fixture and using the control panel scroll to the PERSONALITY menu and press ENTER. Use the UP and DOWN buttons to highlight the WIFLY SETTINGS submenu and press ENTER.
3. Using the UP and DOWN buttons, highlight ENABLE/DISABLE WIFLY. Press the ENTER button to toggle between ENABLE & DISABLE. Press ENTER so that “ENABLE” is displayed.
4. Next highlight SET WIFLY CHANNEL and press ENTER. Use the UP and DOWN buttons to find your desired WiFly address and press ENTER to confirm.

NOTE: Erratic fixture movement may occur if other WiFly wireless DMX products are in use in the same area and are using the same WiFly wireless channel. When WiFly is enabled, the fixture may immediately start to respond to the DMX wireless signal from another WiFly wireless DMX Transceiver. Make sure to know what WiFly wireless channels are being used in the area where the fixture is being used.

ADJ WIFLY WIRELESS TRANSCEIVER only has 0-14 wireless channels, NO CH 15.

5. Set your desired DMX address in the DMX ADDRESS submenu of the DMX SETTINGS main system menu. Set your desired DMX channel mode in the DMX CHANNEL MODE submenu of the DMX SETTINGS main system menu.
6. Repeat this process for all WiFly compatible fixtures in the WiFly wireless network, making sure all fixtures are assigned the same WiFly wireless channel.
7. After all fixtures in the WiFly wireless network have been set to the same WiFly wireless channel and powered ON, power ON the source WiFly DMX Transceiver device.
8. Test all fixtures connected to the WiFly wireless network to confirm proper functionality.

WIFLY CONTROL

WIRELESS WIFLY INSTALLATION LOCATION GUIDELINES

For best results, position the fixture so that the display screen is oriented in the direction of the transmitter device or remote.

Wireless DMX signal can penetrate walls, glass, metal, and most objects. However, there are many factors that can affect and/or interrupt the wireless DMX signal, one of which is people. Therefore, it is highly recommended to position the wireless antenna a minimum of 9.8 ft. (3m) above audiences and/or above ground level. Careful planning and testing of the selected installation location is critical to ensure optimum and reliable wireless DMX operation.

**9.8 ft (3m)
Above Ground**



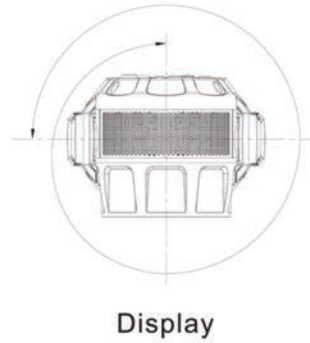
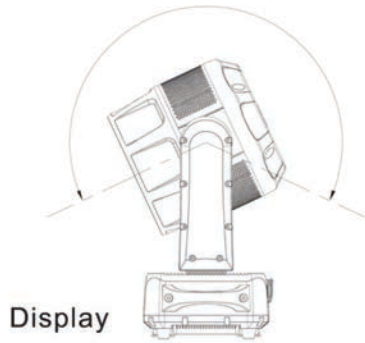
TARGET MODES

This fixture features a Target Mode function that limits operation to a restricted range of movement. Target Mode can be activated and selected using the Target Mode Menu in the main System Menu. Movement ranges of each Target Mode are illustrated in the images below.

TARGET MODE 0:

Mode 0 Tilt Movement Range=230°

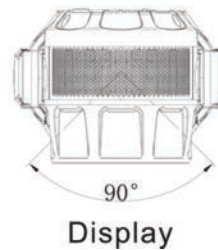
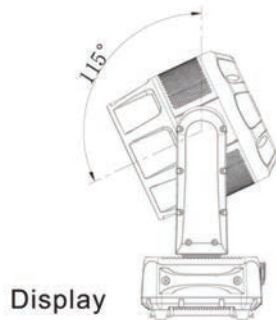
Mode 0 Pan Movement Range=540°



TARGET MODE 1:

Mode 1 Tilt Movement Range=115°

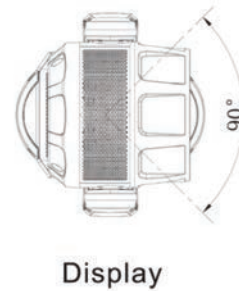
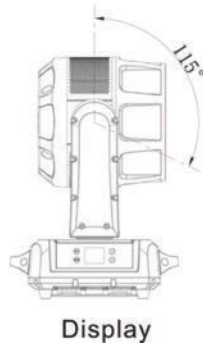
Mode 1 Pan Movement Range=90°



TARGET MODE 2:

Mode 2 Tilt Movement Range=115°

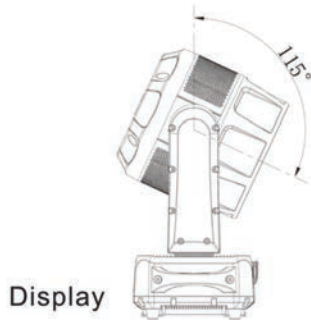
Mode 2 Pan Movement Range=90°



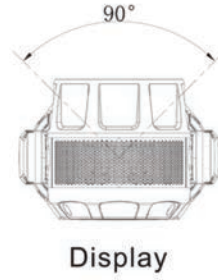
TARGET MODES

TARGET MODE 3:

Mode 3 Tilt Movement Range=115°

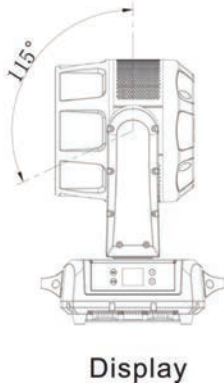


Mode 3 Pan Movement Range=90°

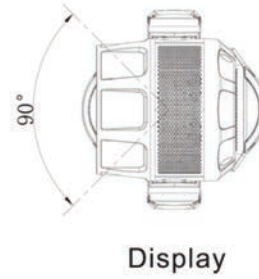


TARGET MODE 4:

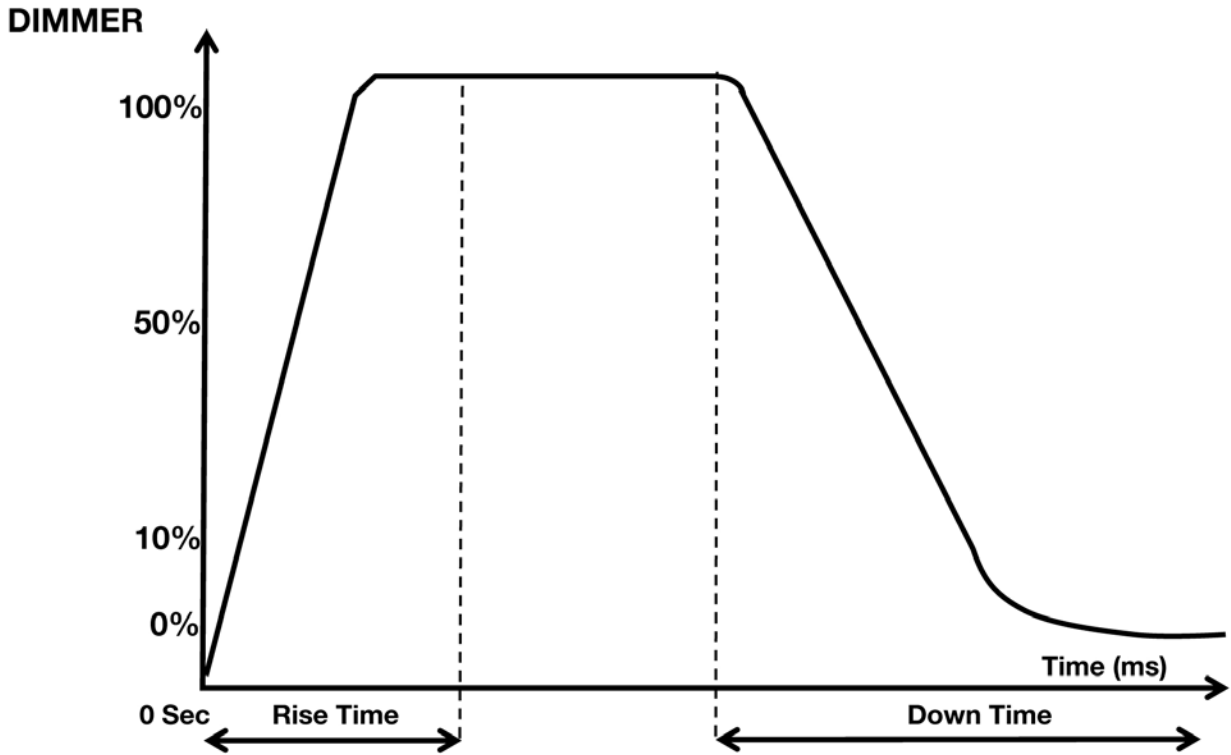
Mode 4 Tilt Movement Range=115°



Mode 4 Pan Movement Range=90°



DIMMER CURVE CHART

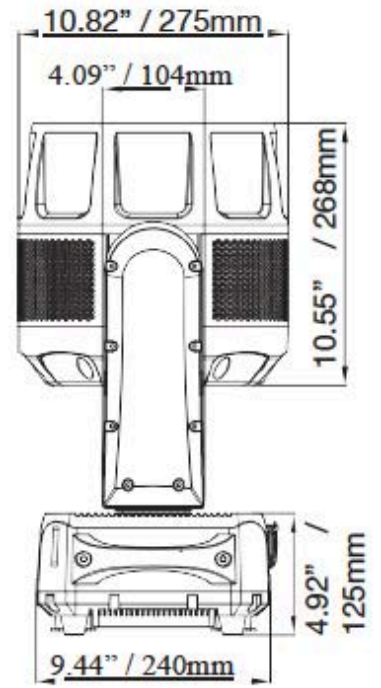
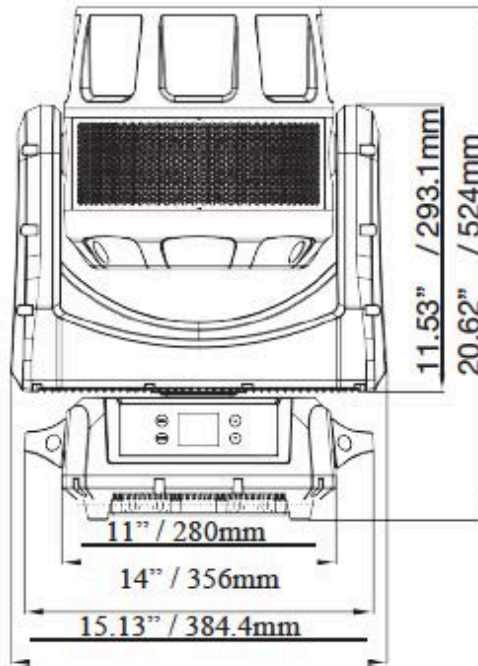
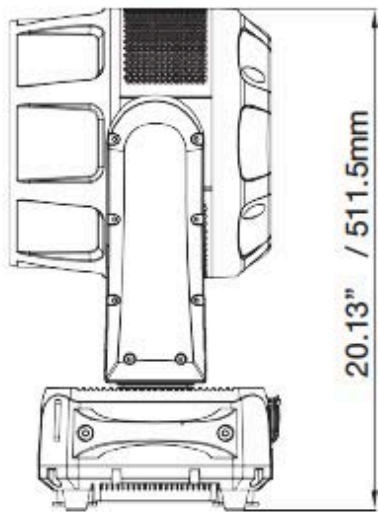


Dimming Curve Ramp Effect	0 sec Fade Time		1 sec Fade Time	
	Rise Time (ms)	Down Time (ms)	Rise Time (ms)	Down Time (ms)
Standard (default)	0	0	0	0
Stage	780	1100	1540	1660
TV	1180	1520	1860	1940
Architectural	1380	1730	2040	2120
Theatre	1580	1940	2230	2280
Stage 2	0	1100	0	1660

ERROR CODES

	PRINT ERROR MESSAGE	DESCRIPTION
1	Pan Reset Error	Pan: Reset Error
2	Pan Encode Error	Pan: Encode Error
3	Tilt Reset Error	Tilt: Reset Error
4	Tilt Encode Error	Tilt: Encode Error
5	CPU-B Error	CPU-B Error
6	CPU-C Error	CPU-C Error
7	CPU-D Error	CPU-D Error
8	CPU-E Error	CPU-E Error
9	CPU-F Error	CPU-F Error
10	CPU-G Error	CPU-G Error
11	CPU-H Error	CPU-H Error
12	BaseFan1 Start Error	BaseFan1 can't start
13	BaseFan1 Stop Error	BaseFan1 can't stop
14	BaseFan2 Start Error	BaseFan2 can't start
15	BaseFan2 Stop Error	BaseFan2 can't stop
16	LEDFan1 Start Error	LEDFan1 can't start
17	LEDFan1 Stop Error	LEDFan1 can't stop
18	LEDFan1 speed too fast	LEDFan1 speed too fast
19	LEDFan1 speed too slow	LEDFan1 speed too slow
20	LEDFan2 Start Error	LEDFan2 can't start
21	LEDFan2 Stop Error	LEDFan2 can't stop
22	LEDFan2 speed too fast	LEDFan2 speed too fast
23	LEDFan2 speed too slow	LEDFan2 speed too slow
24	HeadFan1 Start Error	HeadFan1 can't start
25	HeadFan1 Stop Error	HeadFan1 can't stop
26	HeadFan1 speed too fast	HeadFan1 speed too fast
27	HeadFan1 speed too slow	HeadFan1 speed too slow
28	HeadFan2 Start Error	HeadFan2 can't start
29	HeadFan2 Stop Error	HeadFan2 can't stop
30	HeadFan2 speed too fast	HeadFan2 speed too fast
31	HeadFan2 speed too slow	HeadFan2 speed too slow
32	HeadFan3 Start Error	HeadFan3 can't start
33	HeadFan3 Stop Error	HeadFan3 can't stop
34	HeadFan3 speed too fast	HeadFan3 speed too fast
35	HeadFan3 speed too slow	HeadFan3 speed too slow
36	ArmFan Start Error	ArmFan can't start
37	ArmFan Stop Error	ArmFan can't stop
38	Led Temp: Too High	Led Temp: Too High
39	Head Humidity Error	Head Humidity Error
40	Base Humidity Error	Base Humidity Error

DIMENSIONAL DRAWINGS



MULTIPLE UNIT POWER LINKING



With this feature you can connect the fixtures to one another using the power cable input and output sockets.

NOTE: USE CAUTION WHEN POWER LINKING OTHER FIXTURES AS THE POWER CONSUMPTION OF OTHER MODEL FIXTURES MAY EXCEED THE MAX POWER OUTPUT ON THIS FIXTURE! CHECK SILK SCREEN FOR MAX AMPS.

CLEANING

Due to fog residue, smoke, and dust cleaning the internal and external optical lenses must be carried out periodically to optimize light output.

- Use normal glass cleaner and a soft cloth to wipe down the outside casing.
- Clean the external optics with glass cleaner and a soft cloth every 20 days.
- Always be sure to dry all parts completely before plugging the unit back in.
- Cleaning frequency depends on the environment in which the fixture operates (i.e. smoke, fog residue, dust, dew).

LIMITED WARRANTY (USA ONLY)

MANUFACTURER'S LIMITED WARRANTY

- A. A.ADJ Products, LLC hereby warrants, to the original purchaser, ADJ Products, LLC products to be free of manufacturing defects in material and workmanship for a prescribed period from the date of purchase (see specific warranty period on reverse). This warranty shall be valid only if the product is purchased within the United States of America, including possessions and territories. It is the owner's responsibility to establish the date and place of purchase by acceptable evidence, at the time service is sought.
- B. B.For warranty service you must obtain a Return Authorization number (RA#) before sending back the product—please contact ADJ Products, LLC Service Department at 800-322-6337. Send the product only to the ADJ Products, LLC factory. All shipping charges must be pre-paid. If the requested repairs or service (including parts replacement) are within the terms of this warranty, ADJ Products, LLC will pay return shipping charges only to a designated point within the United States. If the entire instrument is sent, it must be shipped in it's original package. No accessories should be shipped with the product. If any accessories are shipped with the product, ADJ Products, LLC shall have no liability whatsoever for loss of or damage to any such accessories, nor for the safe return thereof.
- C. C.This warranty is void if the serial number has been altered or removed; if the product is modified in any manner which ADJ Products, LLC concludes, after inspection, affects the reliability of the product; if the product has been repaired or serviced by anyone other than the ADJ Products, LLC factory unless prior written authorization was issued to purchaser by ADJ Products, LLC; if the product is damaged because not properly maintained as set forth in the instruction manual.
- D. D.This is not a service contract, and this warranty does not include maintenance, cleaning or periodic check up. During the period specified above, ADJ Products, LLC will replace defective parts at its expense with new or refurbished parts, and will absorb all expenses for warranty service and repair labor by reason of defects in material or workmanship. The sole responsibility of ADJ Products, LLC under this warranty shall be limited to the repair of the product, or replacement thereof, including parts, at the sole discretion of ADJ Products, LLC. All products covered by this warranty were manufactured after August 15, 2012, and bear indentifying marks to that effect.
- E. E.ADJ Products, LLC reserves the right to make changes in design and/or improvements upon its products without any obligation to include these changes in any products theretofore manufactured.

No warranty, whether expressed or implied, is given or made with respect to any accessory supplied with products described above. Except to the extent prohibited by applicable law, all implied warranties made by ADJ Products, LLC in connection with this product, including warranties of merchantability or fitness, are limited in duration to the warranty period set forth above. And no warranties, whether expressed or implied, including warranties of merchantability or fitness, shall apply to this product after said period has expired. The consumer's and/or Dealer's sole remedy shall be such repair or replacement as is expressly provided above; and under no circumstances shall ADJ Products, LLC be liable for any loss or damage, direct or consequential, arising out of the use of, or inability to use, this product.

This warranty is the only written warranty applicable to ADJ Products, LLC Products and supersedes all prior warranties and written descriptions of warranty terms and conditions heretofore published.

MANUFACTURER'S LIMITED WARRANTY PERIODS:

- Non L.E.D. Lighting Products = 1-year (365 days) Limited Warranty (Such as: Special Effect Lighting, Intelligent Lighting, UV lighting, Strobes, Fog Machines, Bubble Machines, Mirror Balls, Par Cans, Trussing, Lighting Stands etc. excluding LED and lamps)
- Laser Products = 1 Year (365 Days) Limited Warranty (excluding laser diodes which have a 6 month limited warranty)
- L.E.D. Products = 2-year (730 days) Limited Warranty (excluding batteries which have a 180 day limited warranty). Note: 2 Year Warranty only applies to purchases within the United States.
- StarTec Series = 1 Year Limited Warranty (excluding batteries which have a 180 day limited warranty).
- ADJ DMX Controllers = 2 Year (730 Days) Limited Warranty

TECHNICAL SPECIFICATIONS

Light Source:

- 19x Osram 40W RGBW (4-IN-1) LEDs

Features:

- IP65 outdoor rated – protects fixture from dust, sand, moisture and liquid
- Motorized Zoom: 6 ~ 40-degrees
- Antenna Range: 98.42 ft (30m)

Construction:

- Color display with touch buttons
- Data In/Out: 5-pin DMX IP65 (with rubber protective covers over connections)
- Power In: IP65 locking power input (with rubber protective covers over connection)
- All metal case design

Control:

- WiFLY EXR Wireless DMX built-in (Up to 2,500 ft / 700M line of sight)
- Fully pixel mappable
- 4 DMX channel modes: 16, 26, 88 & 90 channels
- Protocols: DMX-512, RDM (Remote Device Management), KlingNet and Artnet
- Control modes: DMX-512, KlingNet and Artnet
- 0-100% dimming plus 16-bit fine dimming
- 6 dimmer modes
- Strobe & pulse effects
- Gamma correction: 1.0, 2.0, 2.2, 2.4, 2.6 and 2.8
- With Wired Digital Communication Network

Pan/Tilt:

- Pan/Tilt: 540-degrees / 230-degrees
- 16-bit Fine Pan
- 16-bit Fine Tilt

Electrical:

- Multi-voltage operation: 100-240V, 50/60Hz
- Maximum power draw: 990W

Dimensions & Weight:

- Dimensions (LxWxH): 15.25" x 11" x 20.75" / 384x275x524mm
- Weight: 53 lbs. / 24 kg.

Approval / Ratings

- CE| cETLus |IP65 Approved (Control # 4000358)

Please Note: Specifications and improvements in the design of this unit and this manual are subject to change.



FCC STATEMENT

This device complies with Part 15 of the FCC Rules. Operation is subject to the following two conditions: (1) this device may not cause harmful interference, and (2) this device must accept any interference received, including interference that may cause undesired operation.

FCC RADIO FREQUENCY INTERFERENCE WARNINGS & INSTRUCTIONS

This product has been tested and found to comply with the limits as per Part 15 of the FCC Rules. These limits are designed to provide reasonable protection against harmful interference in a residential installation. This device uses and can radiate radio frequency energy and, if not installed and used in accordance with the included instructions, may cause harmful interference to radio communications. However, there is no guarantee that interference will not occur in a particular installation. If this device does cause harmful interference to radio or television reception, which can be determined by turning the device off and on, the user is encouraged to try to correct the interference by one or more of the following methods:

- Reorient or relocate the device.
- Increase the separation between the device and the receiver.
- Connect the device to an electrical outlet on a circuit different from which the radio receiver is connected.
- Consult the dealer or an experienced radio/TV technician for help.

