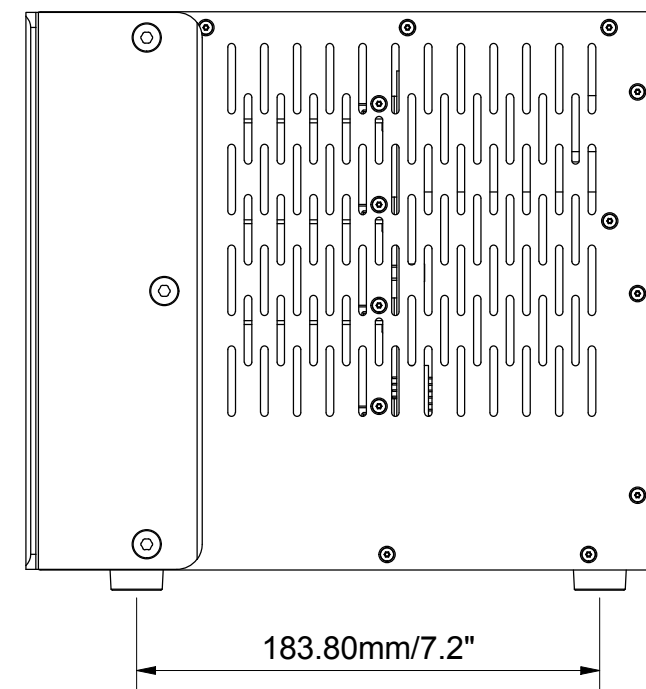
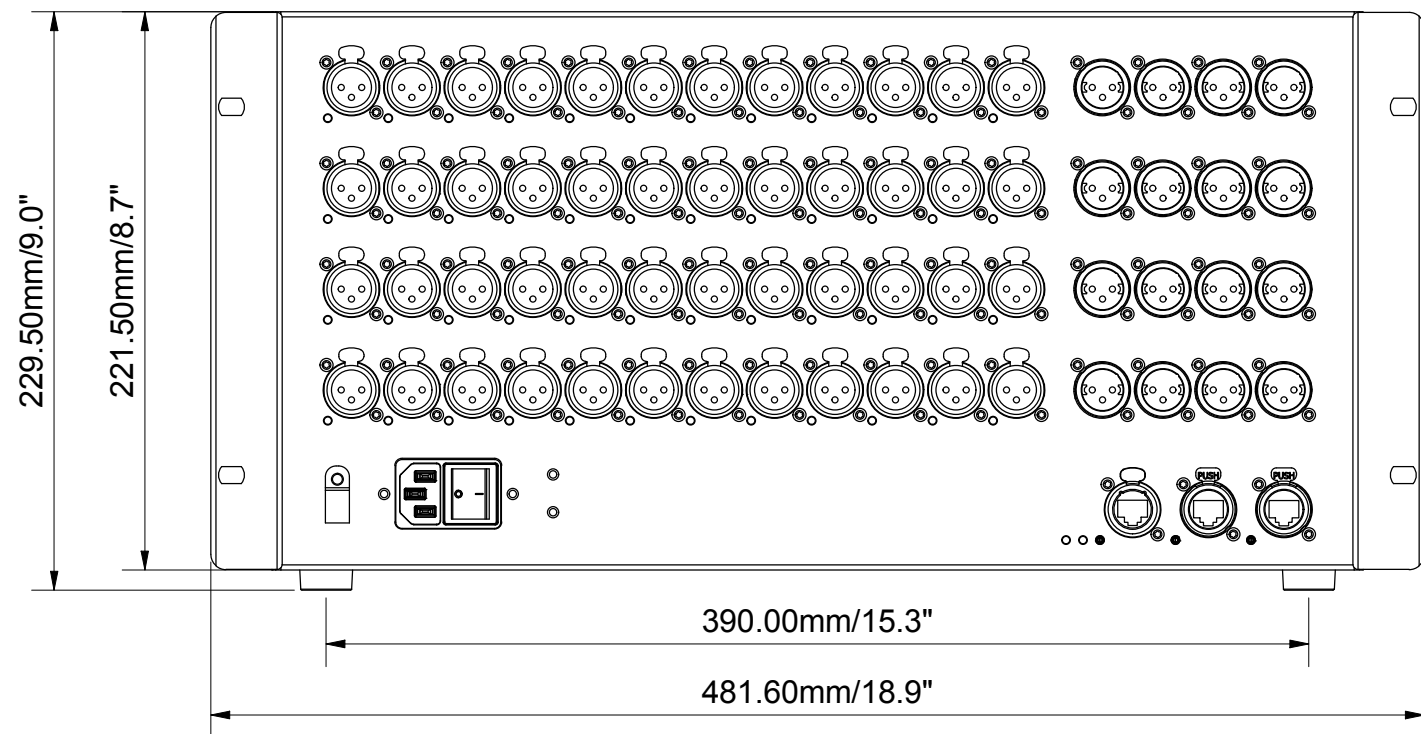
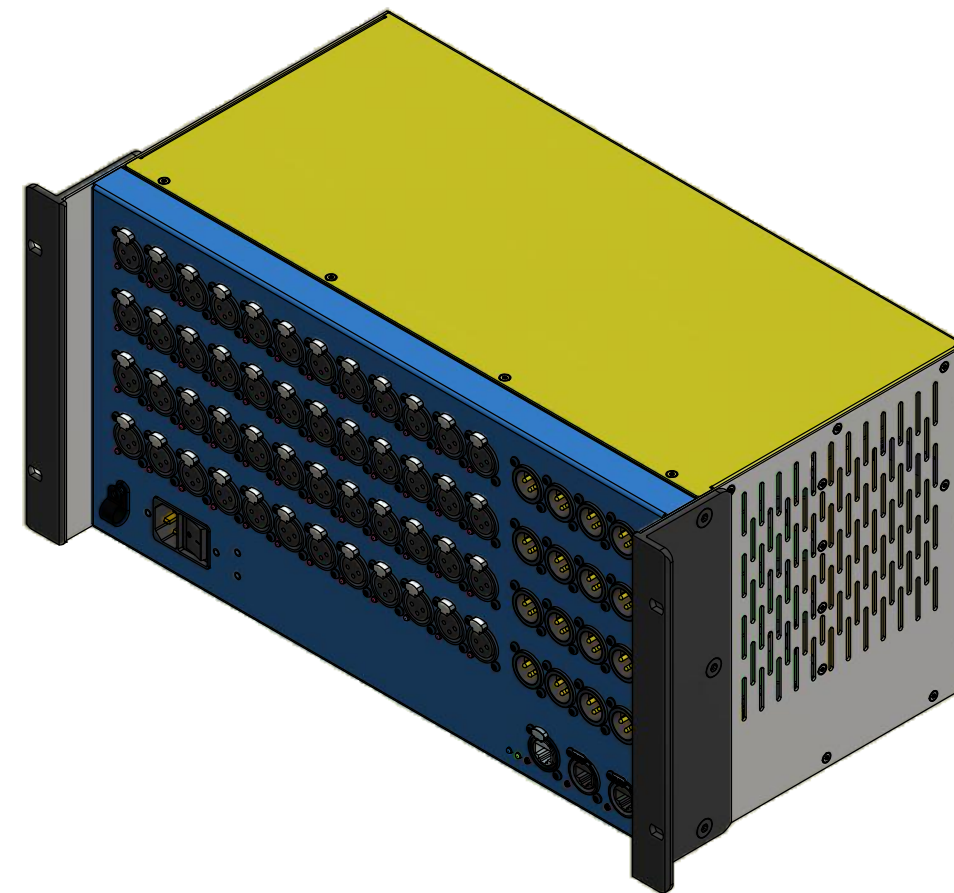


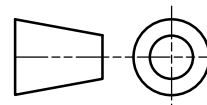
GX4816 - without box
 Width - 481.6mm/18.9"
 Depth - 255mm/10"
 Height - 229.5mm/9"
 Weight - 8kg/17.6lbs

GX4816 - with box
 Width - 560mm/22"
 Depth - 385mm/3.3"
 Height - 310mm/12.2"
 Weight - 10kg/22lbs



REVISION HISTORY				
REV	DESCRIPTION	ECN	DATE	APPROVED
1	BOX DIMS ADDED		23/05/2018	ALEXMO

THIRD ANGLE PROJECTION



MATERIAL:

All materials to be compliant with The Restriction of Hazardous Substances (ROHS2) Directive 2011/65/EU

TOLERANCES U O S:
 GENERAL ± 0.25 HOLE CENTRES ± 0.10
 HOLE SIZES ± 0.05 ANGULAR DIMS ± 0.50°

FINISH:

DRAWING
 GX4816 Weights and Measures
 UNIT GX4816

PART No 007-221
 DRAWING No GX4816 Weights and Dims

ALLEN & HEATH Ltd.
 KERNICK INDUSTRIAL ESTATE
 PENRYN CORNWALL TR10 9LU
 TELEPHONE 01326 372070
 FACSIMILE 01326 370153

SHEET
 1 of 1