

MB10N305

MID - BASS

DESCRIPTION

The MB10N305 is a hypervented neo, high linearity mid-bass.

The magnetic structure is powered by a large neodymium magnet that provides an extremely high flux density in the gap. The new hyper-vented aluminium basket and magnetic assembly design provide an excellent heat dissipation and lower power compression. Special airforced ventilations are provided for voice coil, magnet assembly and basket. M-roll surround and spider design offer great linearity and precise reproduction.



FEATURES

- 3-inch, fibreglass inside/outside aluminium voice coil
- 1000W continuous program power handling
- 97.5 dB Sensitivity
- 55 Hz – 3.5 kHz Frequency range
- Dual-forced air ventilation for minimum power compression
- M-roll surround and exponential cone geometry

TECHNICAL SPECIFICATIONS

General specifications

Nominal Diameter:	10 inch / 254 mm
Rated Impedance:	8 ohm
Program Power (watt):	1000 W
Power handling capacity:	500 W
Sensitivity:	97 dB
Frequency range:	55 - 3500 Hz
Effective piston diameter:	210 mm / 8.27 inch
Max. Excursion Before Damage:	34 mm / 1.34 inch
Minimum Impedance (ohm):	6 ohm
Voice Coil Diameter:	3.0 inch / 76 mm
Voice Coil Material:	Aluminium
Voice Coil Winding Material:	14 mm / 0.55 inch
Number of layers:	1
Kind of layers:	inside/outside
Top Plate Thickness:	10 mm / 0.39 inch
Cone Design:	Curved
Surround Material:	Polycotton
Surround Design:	M-roll
Magnets:	Neodymium
Hypervented magnetic structure:	Yes
Spider:	Single

Thiele - small parameters

Resonance frequency (Fs):	60 Hz
DC resistance (Re) (ohm):	5.60 ohm
Mechanical factor:	4.00 Qms
Electrical factor:	0.24 Qes
Total factor:	0.23 Qts
Bl factor (Bl) (T x m):	18.50 T x m
Effective moving mass (Mms):	37 gr
Equivalent Cas air loaded (Vas):	31 liters
Effective piston area (Sd):	0.04 m ²
Max. linear excursion (Xmax):	5 mm
Voice coil inductance @ 1kHz (Le1k):	0.90 mH
Half-space efficiency (Eff):	2.90%

Mounting informations

Overall diameter:	260 mm / 10.24 inches
Bolt circle diameter:	241-246 mm / 9.49-9.69 inch
Bolt hole diameter:	6 mm / 0.24 inch
Front mount baffle cut-out:	234 mm / 9.21 inch
Rear mount baffle cut-out:	234 mm / 9.21 inch
Volume occupied by the driver:	1.4 liters / 0.06 ft ³

Standard compliance

CE marking:	Yes
-------------	-----

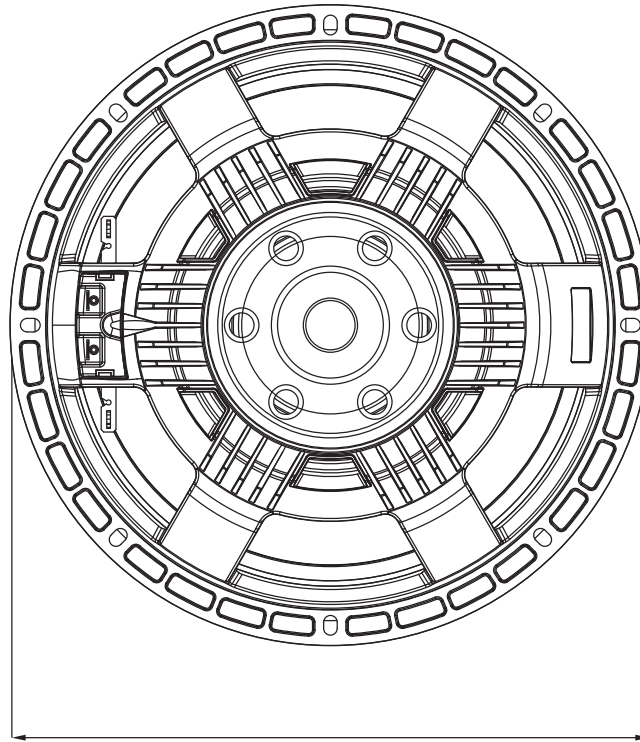


Size	Height:	126 mm / 4.96 inches
	Diameter:	260 mm / 10.24 inches
	Weight:	3.2 kg / 7.05 lbs

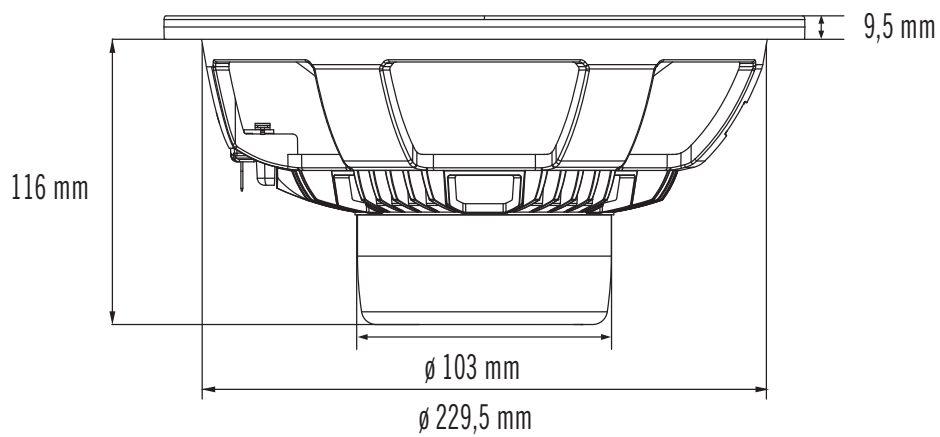
Shipping informations	Package Height:	169 mm / 6.65 inches
	Package Width:	289 mm / 11.38 inches
	Package Depth:	289 mm / 11.38 inches
	Package Weight:	3.8 kg / 8.38 lbs

PART NUMBER

- **11100111**
MB10N305
8ohm



∅ 260 mm



116 mm

9,5 mm

∅ 103 mm

∅ 229,5 mm

