

MB15N405

MID - BASS

DESCRIPTION

The MB15N405 is a hyperventated neo mid-bass design with a linear frequency response and very high efficiency. To get this performance the magnetic structure use a high flux neo disc and the cone assembly a fibre loaded exponential shape along with a high excursion triple roll, constant geometry surround. The fibreglass former and aluminium voice coil provide a very high power handling maintaining a light mass and a proper Q factor for bass alignment.



FEATURES

- 4-inch, fiberglass inside/outside copper voice coil
- 2200W continuous program power handling
- 100 dB Sensitivity
- 45 Hz – 2.5 kHz Frequency range
- Dual-forced air ventilation for minimum power compression
- Triple roll surround and exponential cone geometry

TECHNICAL SPECIFICATIONS

General specifications

| | |
|-----------------------------------|---------------------|
| Nominal Diameter: | 15 inch / 381 mm |
| Rated Impedance: | 8 ohm |
| Program Power (watt): | 2200 W |
| Power handling capacity: | 1100 W |
| Sensitivity: | 100 dB |
| Frequency range: | 45 - 2500 Hz |
| Effective piston diameter: | 340 mm / 13.39 inch |
| Max. Excursion Before Damage: | 53 mm / 2.09 inch |
| Minimum Impedance (ohm): | 5 ohm |
| Voice Coil Diameter: | 4.0 inch / 102 mm |
| Voice Coil Material: | Aluminium |
| Voice Coil Winding Material: | 20 mm / 0.79 inch |
| Number of layers: | 2 |
| Kind of layers: | inside/outside |
| Top Plate Thickness: | 12 mm / 0.47 inch |
| Cone Design: | Curved |
| Surround Material: | Polycotton |
| Surround Design: | Triple roll |
| Magnets: | Neodymium |
| Hyperventated magnetic structure: | Yes |
| Spider: | Single |

Thiele - small parameters

| | |
|--------------------------------------|---------------------|
| Resonance frequency (Fs): | 46 Hz |
| DC resistance (Re) (ohm): | 5.50 ohm |
| Mechanical factor: | 4.80 Qms |
| Electrical factor: | 0.28 Qes |
| Total factor: | 0.27 Qts |
| Bl factor (Bl) (T x m): | 23.50 T x m |
| Effective moving mass (Mms): | 98 gr |
| Equivalent Cas air loaded (Vas): | 124 liters |
| Effective piston area (Sd): | 0.09 m ² |
| Max. linear excursion (Xmax): | 7 mm |
| Voice coil inductance @ 1kHz (Le1k): | 1.10 mH |
| Half-space efficiency (Eff): | 4.10% |

Mounting informations

| | |
|--------------------------------|-----------------------------------|
| Overall diameter: | 393 mm / 15.47 inches |
| Bolt circle diameter: | 371-376 mm / 14.61-14.8 inch |
| Bolt hole diameter: | 7 mm / 0.28 inch |
| Front mount baffle cut-out: | 354 mm / 13.94 inch |
| Rear mount baffle cut-out: | 354 mm / 13.94 inch |
| Volume occupied by the driver: | 3.8 liters / 0.15 ft ³ |

Standard compliance

| | |
|-------------|-----|
| CE marking: | Yes |
|-------------|-----|

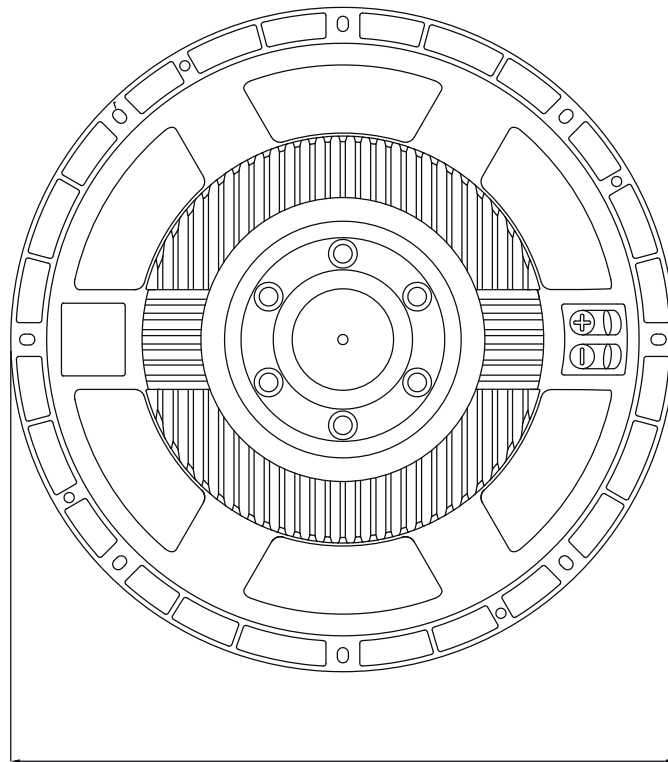


| | | |
|-------------|-----------|-----------------------|
| Size | Height: | 160 mm / 6.3 inches |
| | Diameter: | 393 mm / 15.47 inches |
| | Weight: | 8.6 kg / 18.96 lbs |

| | | |
|------------------------------|-----------------|-----------------------|
| Shipping informations | Package Height: | 209 mm / 8.23 inches |
| | Package Width: | 439 mm / 17.28 inches |
| | Package Depth: | 434 mm / 17.09 inches |
| | Package Weight: | 9.3 kg / 20.5 lbs |

PART NUMBER

- **11100108**
MB15N405
8ohm



ø 393 mm

