

ME34

cardioid installed sound microphone

FEATURES

- Cardioid capsule for universal miking
- Low noise and large transpense range
- Smooth response across all frequencies
- Gold plated contact points for Maintenance-free long term operation
- Large range of high quality goosenecks and mounting options

The **ME34** is a permanently polarized condenser microphone capsule for use with Sennheiser MZH goosenecks. This cardioid capsule is suitable for a very wide range of applications including: conference, public address, studio, broadcast, video and others.



ARCHITECT'S SPECIFICATIONS

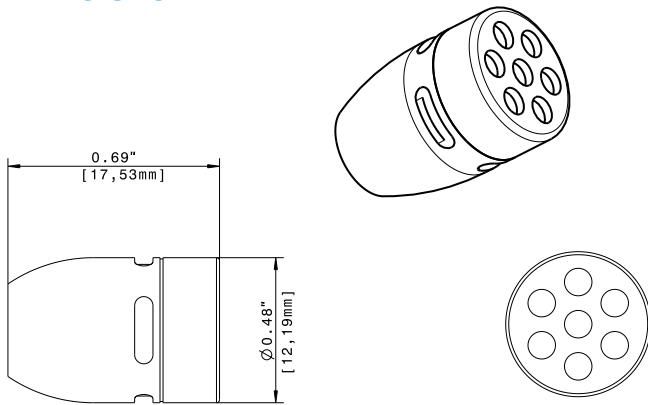
A gooseneck microphone for speech transmission shall be modular and streamlined in appearance. The microphone provides a cardioid characteristic and shall be powered with 12 to 48V phantom powering. The microphone shall cover a frequency range of 40Hz to 20kHz, the equivalent noise level must not exceed 26 dB weighted A. For connection with Sennheiser MZH goosenecks a high quality screw thread shall be provided. The electrical contact points shall be gold plated. The housing of the microphone shall be made from metal, finished with a non reflective black coating. Various mounting options and goosenecks shall be available. The microphone shall be Sennheiser ME34.

TECHNICAL DATA

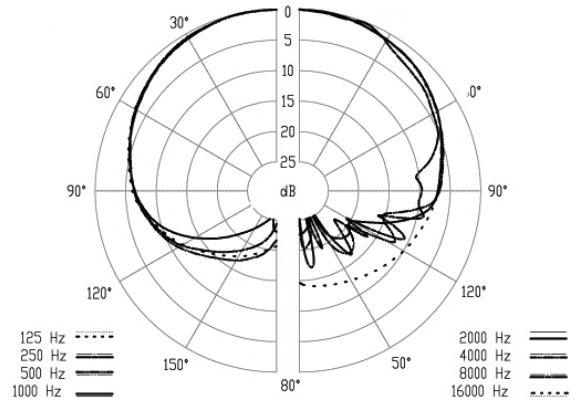
Transducer principle.....	pre-polarised condenser microphone
Acoustics	cardioid
Frequency response	40Hz - 20 kHz
Impedance.....	50 Ohm
Minimal terminating impedance	1 kOhm
Maximum sound pressure level	130 dB SPL
Equivalent noise level	26 db (A)
Equivalent noise level weighted as per CCIR 468-3	37 dB
Phantom powering.....	P12 - P48 V
Current consumption	250 µA
Weight	9g (3 oz.)
Dimensions	ø 12 x L18 mm (ø 0.47" x 0,71")
Coating.....	matte black
Delivery includes.....	ME 34 microphone MZW 34 windshield

ME34 cardioid installed sound microphone

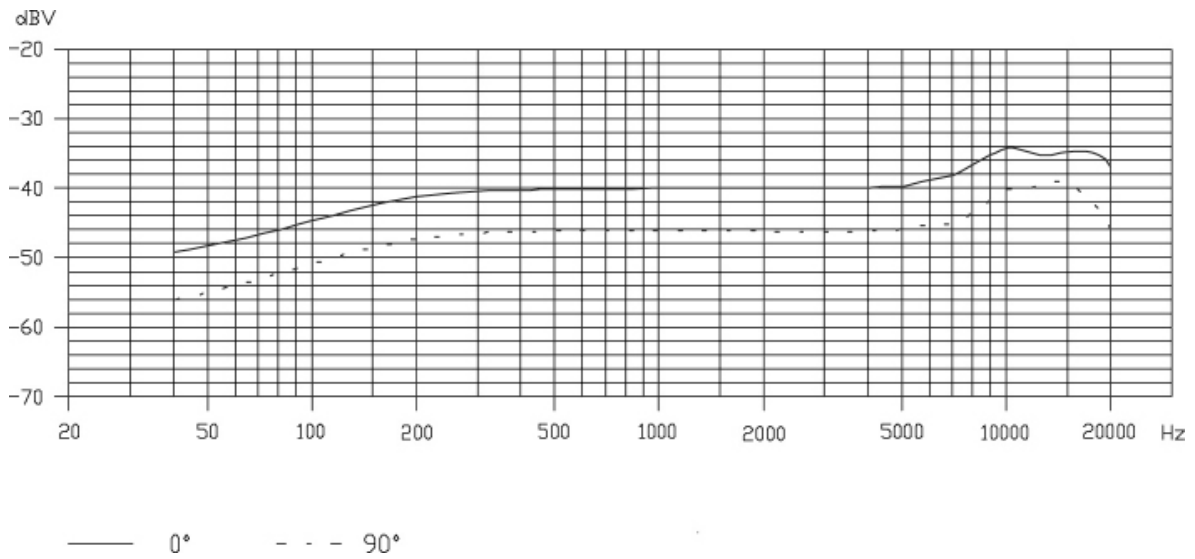
DIMENSIONS



POLAR PATTERN



FREQUENCY RESPONSE



PRODUCT VARIANTS

ME 34, black	Cat.No. 005060
ME 34 NX, Nextel grey	Cat.No. 500816
ME 34 W, white	Cat.No. 005061

RECOMMENDED ACCESSORIES

MZH gooseneck series: MZH 3015, MZH 3040, MZH 3042, MZH 3062, MZH 3072

Sennheiser electronic GmbH & Co. KG
 Am Labor 1, 30900 Wedemark, Germany
www.sennheiser.com

