

▶ INTUCAB6FP100T ◀

2-WAY 6.5" FULLRANGE PA SPEAKER

SPEAKER LoZ

CONCEPT

The INTUCAB™ 6FP100T is the most universal choice for audio systems requiring a small footprint, without sacrifice to sound quality and SPL. The multitude of connections (Speakon-compatible and 5mm terminal strip), as well as the available input transformer option for 100V systems, contribute further to its versatility. Mounting options include VESA, M6 and M10 mounting points, plus the (patent-pending) L-shaped reversible rear panel allowing for suspended mounting, truss mounting and bracket mounting. Available in black and white structural paint finish. Add the INTUCAB™ 8SM300T Subwoofer for extended low frequency performance.

FEATURES

- ▶ 6.5" LF driver, 80W AES power handling
- ▶ 1" HF compression driver & wide-dispersion HF horn
- ▶ Horn 90 degree rotatable for horizontal or vertical use
- ▶ Advanced passive crossover for best sound quality
- ▶ Dual parallel Speakon-compatible connectors for LoZ
- ▶ 5.0mm terminal strip connector for LoZ and HiZ
- ▶ Reversible L-shaped rear panel (patent pending) with 75mm VESA/1xM10/3xM6 mounting points
- ▶ 12mm MDF construction
- ▶ Structured scratch-resistant paint, black or white
- ▶ Rugged steel front grille with cosmetic rear-side foam
- ▶ 100V transformer kit option (UTK60 - sold separately)
- ▶ CE/ROHS compliant



TECHNICAL DATA

Frequency response (-3 dB).....	75Hz-16.5kHz
Sensitivity (1W/1m) / Max SPL.....	92dB / 116.5dB
Impedance	8Ω
Power Handling.....	80W (AES)
Drivers / Design.....	6.5" LF (vented) & 1" CP
Material.....	12mm MDF
Surface.....	Scratch-resistant paint
IP Rating.....	20
Dimensions WxDxH.....	225x252x325mm
Weight.....	8.15 kg

LOGISTICS DATA

Order Number (black).....	1304701
Single unit EAN-13 (black).....	5060502923035
Order Number (white).....	1304711
Single unit EAN-13 (white).....	5060502923042
Single Carton size WxDxH.....	370x320x300mm
Single Carton gross weight.....	8.75 kg
Units per master carton.....	2
Master carton size WxDxH.....	665x385x325mm
Master carton gross weight.....	18.35 kg
100V /60W Transformer kit (model UTK60)	
Order Number	1305701
Single unit EAN-13.....	5060502923387

APPLICATION EXAMPLES

Shown accessories are not included.



Suspended

Coupler Mounted

VESA (Rear) Mounted

Downside Suspended



Top mounting points



Rear panel connections



6.5" Woofer & HF Driver



White version (white grille)

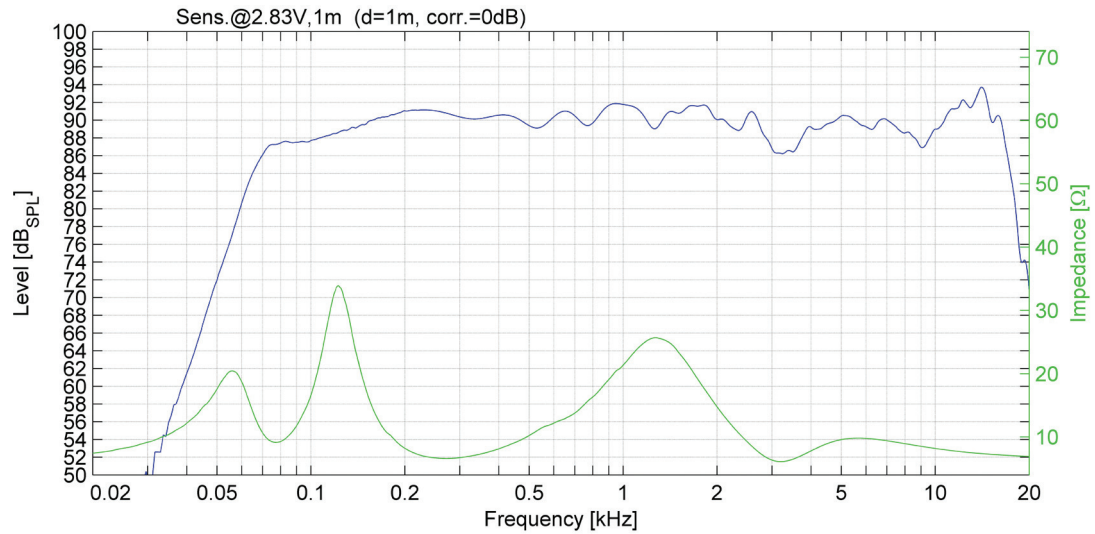
SPEAKER LoZ

INTUCAB6FP100T

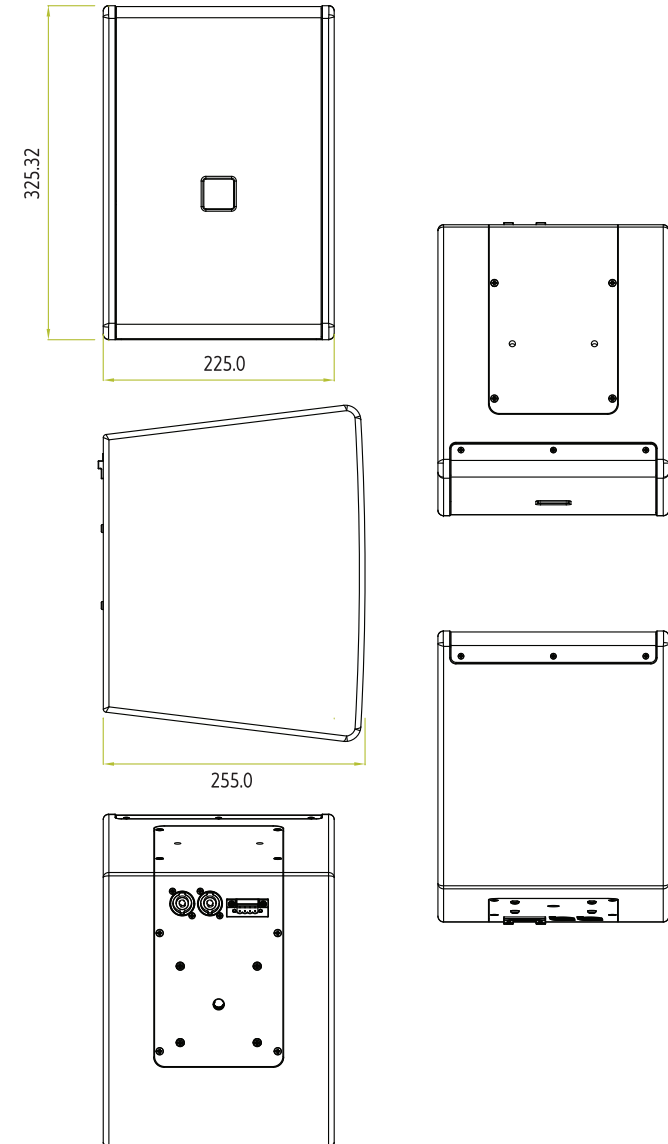
2-WAY 6.5" FULLRANGE PA SPEAKER

SPEAKER LoZ

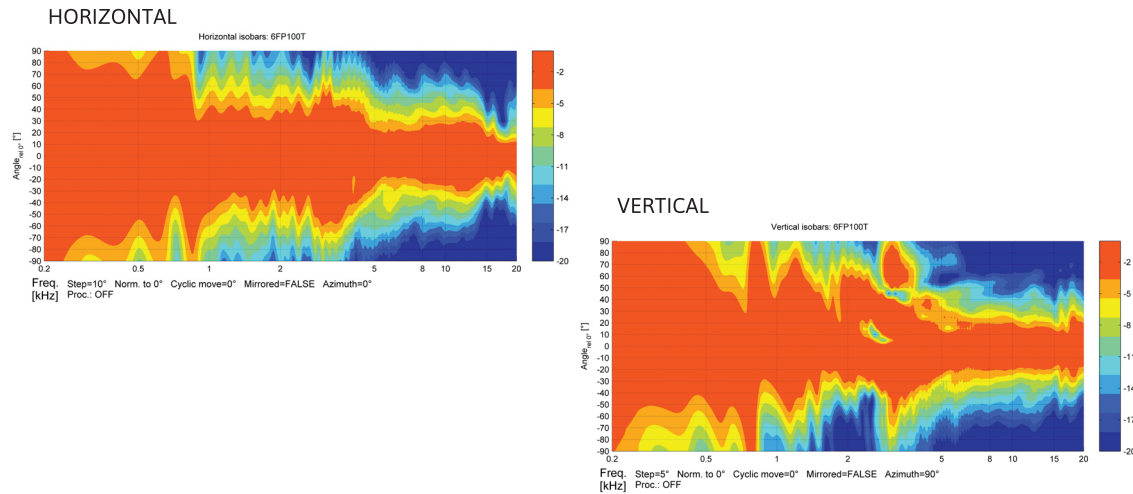
FREQUENCY RESPONSE



DIMENSIONS



DIRECTIVITY



SPEAKER LoZ