

INTUCAB8SM300T

DUAL 8" INSTALLATION SUBWOOFER

CONCEPT

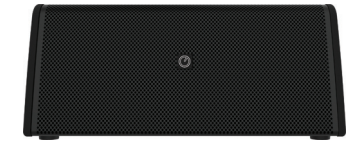
The INTUCAB™ 8SM300T is a dual 8" compact installation subwoofer, allowing positioning below objects or on-wall in variable directions via an included mounting rail. The dual driver design in separate chambers provides fast transient response and excellent low-frequency performance. Drivers can be wired for separate left/right amplifier channels, or in parallel for a mono amplifier setup (note: a separate crossover is required). The 8SM300T is an affordable yet powerful low-end extension to the frequency response of any installed sound system.

FEATURES

- ▶ Low-Profile installation subwoofer, only 270mm high
- ▶ 2x8" high-efficiency LF drivers
- ▶ 8Ω impedance per driver, dual chamber vented design
- ▶ Terminal strip connections with individual access to both internal drivers, for separate/parallel wiring
- ▶ Additional 2xSpeakon™-compatible connectors
- ▶ Thread inserts in square mounting pattern on bottom for wall mounting rail (included), allowing 4 positions
- ▶ 15mm MDF construction
- ▶ Structured scratch-resistant paint, black or white
- ▶ Rugged steel front grille with cosmetic rear-side foam
- ▶ No internal crossover (external crossover required)
- ▶ Wall mounting rail included
- ▶ CE/ROHS compliant

TECHNICAL DATA

Frequency response (-3dB).....	45Hz-4000Hz
Sensitivity (1W/1m) SPW/PRW.....	94/100dB
Impedance	2x8Ω
Power Handling.....	2x150W (AES)
Drivers.....	2x8" in dual chamber vented case
Material.....	15mm MDF
Surface.....	Scratch-resistant paint
IP Rating.....	20
Dimensions WxDxH.....	610x450x270mm
Weight.....	20.0 kg



Slanted front grille



Vented dual 8" woofer design



Bottom with 4-direction wall mount



Rear panel connections

APPLICATION EXAMPLES



LOGISTICS DATA

Order Number (black).....	1304801
Single unit EAN-13 (black).....	5060502923066
Order Number (white).....	1304811
Single unit EAN-13 (white).....	5060502923073
Single Carton size WxDxH.....	680x522x340mm
Single Carton gross weight.....	22.2 kg
Units per master carton.....	1
Master carton size.....	as SC
Master carton gross weight.....	as SC

Wall mounting rail included with every unit.

COLOR OPTIONS



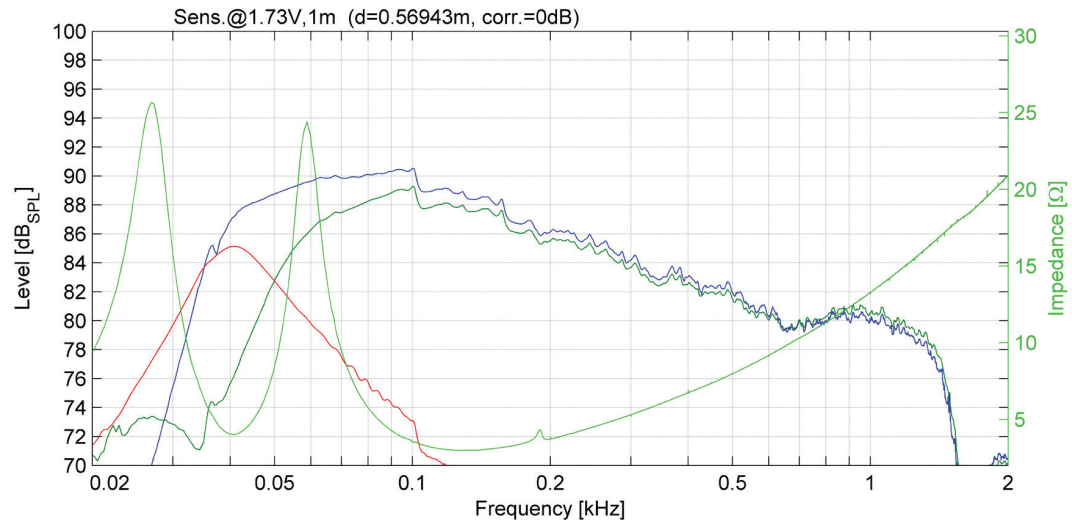
White structural paint finish

INTUCAB8SM300T

DUAL 8" INSTALLATION SUBWOOFER

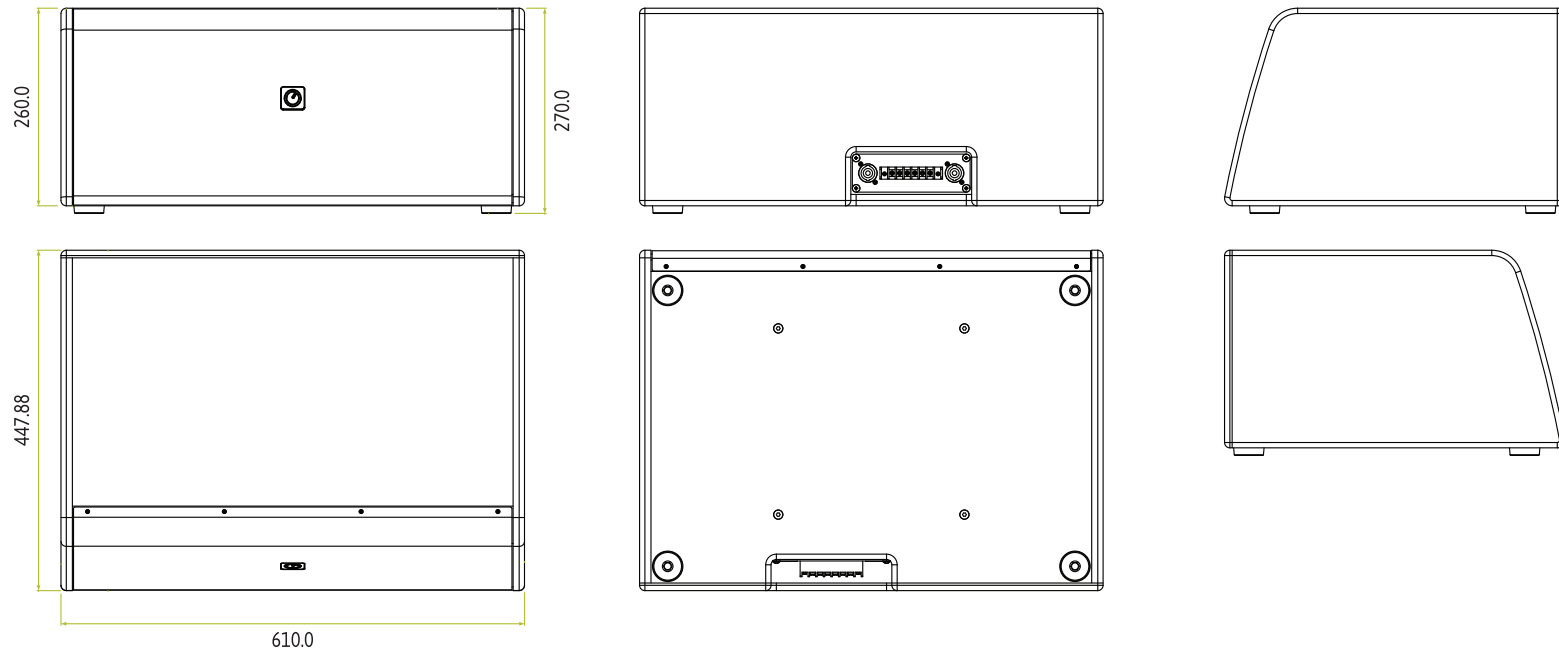
SPEAKER LoZ

FREQUENCY RESPONSE



Note: Graph shows both woofers in parallel wiring configuration.

DIMENSIONS



SPEAKER LoZ