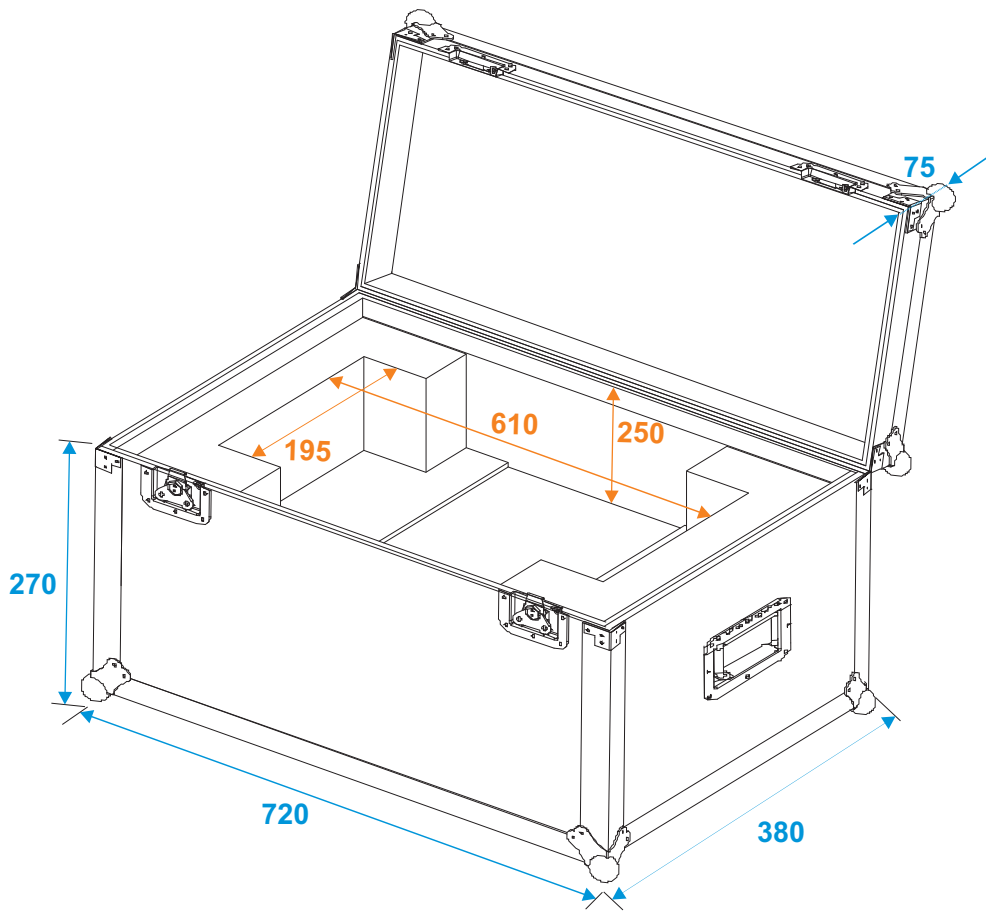


# Flightcase

31005078

Flightcase SL-160/SL-350



\*all dimensions in millimeters