

# Antari® FOG MACHINE

Z-1200II, Z-1500II & Z-3000II USER MANUAL  
Z-1200II, Z-1500II & Z-3000II BEDIENUNGSANLEITUNG  
MODE D'EMPLOI des Z-1200II, Z-1500II & Z-3000II

*Congratulations on the purchase of your new  
ANTARI Z-SERIES II FOG MACHINE.*

*Wir beglückwünschen Sie zum Kauf Ihres neuen ANTARI Z-SERIES NEBELGERÄTES.*

*Nous vous félicitons pour l'achat de votre nouvelle  
Z-SERIES machine à fumée d'ANTARI.*



CONFORMS TO  
ANSI/UL STD.998  
CERTIFIED TO  
CAN/CSA STD.  
C22.2 No.104



- ◆ Read and save these instructions
  - ◆ Bitte lesen Sie diese Anweisungen und bewahren Sie sie gut auf
  - ◆ Lisez et Gardez ces instructions
- © 2006 Antari Lighting and Effects Ltd.

## **User Manual**

# **Antari Z-1200II, Z-1500II and Z-3000II Fog Machine**



***Congratulations on the purchase of your new  
ANTARI Z-Series II FOG MACHINE.***

## **Introduction**

Thank you for choosing a ANTARI Z-Series II Fog Machine. You now own a rugged and powerful state-of-the-art machine. Prior to use, we suggest that you carefully read all of the instructions. By following the suggestions found in this user manual, you can look forward to the reliable and satisfactory performance of your ANTARI Fog Machine for years to come.

Please follow these operation, safety and maintenance instructions to ensure a long and safe life for your fog machine.

## **CAUTION:**

Risk of electric shock. Disconnect the appliance from the electric supply before refilling liquid, cleaning or performing maintenance on the machine.

## **Danger of Electric Shock**

- ◆ Keep this device dry.
- ◆ For inside use only. Not designed for outside use.
- ◆ For the 110V models, use 3-prong grounded electrical outlet only. Prior to use take care to determine that the unit is installed at the rated voltage.
- ◆ Always unplug your ANTARI Z-Series II Fog Machine before filling its tank.
- ◆ Always keep fog machine in upright position.
- ◆ Turn off or unplug the machine when not in use.
- ◆ This machine is not water-proof. If moisture, water, or fog fluid gets inside the housing, immediately unplug the unit and contact a service technician or your ANTARI dealer before using it again.
- ◆ No user serviceable parts inside. Refer to your ANTARI dealer or other qualified service personnel.

## **Danger of Burns**

- ◆ This device is for adult use only and must be installed out of the reach of children. Never leave the unit running unattended.
- ◆ Never aim the output nozzle directly at people.
- ◆ Fog machine output is very hot. Avoid coming within 60 cm of the output nozzle during operation.
- ◆ Locate the fog machine in a well-ventilated area. Never cover the unit's vents. In order to guarantee adequate ventilation, allow a free air space of at least 20 cm around the sides and top of the unit.
- ◆ Never aim the output nozzle at open flames.

- ◆ If the supply cord is damaged, it must be replaced by manufacturer or its service agent or similarly qualified personnel in order to avoid a hazard.
- ◆ The output nozzle becomes very hot during operation (200°C). Keep flammable materials at least 50 cm away from the nozzle.
- ◆ Always allow your ANTARI Fog Machine to cool down before attempting to clean or service it.

## **Danger of Explosion**

- ◆ Never add flammable liquids of any kind (such as oil, gas, perfume) to the fog liquid.
- ◆ Use only high-quality, water-based fog liquid that your dealer recommends. Other fog liquids may cause clogging or “spitting”.
- ◆ Always make sure there is sufficient liquid in the tank. Operating this unit without liquid will cause damage to the pump as well as over-heating of the heater.
- ◆ If your ANTARI Z-1200II, Z-1500II or Z-3000II Fog Machine fails to work properly, discontinue use immediately. Drain all fog liquid from the tank, pack the unit securely (preferably in the original packing material), and return it to your ANTARI dealer for service.
- ◆ Always drain tank before mailing or transporting this unit.
- ◆ Never drink fog liquid. If it is ingested, call a doctor immediately. If fog liquid comes in contact with skin or eyes, rinse thoroughly with water.

**Note:** Pay attention to all warning labels and instructions printed on the exterior of your ANTARI Fog Machine

## **Unpacking & Inspection**

Open the shipping carton and verify that all equipment necessary to operate the system has arrived intact. The shipping carton should contain the following items:

1. One unit of Z-Series II Fog Machine with power cord
2. Mounting brackets with washers/screws (for Z-1200II)
3. Z-8 Multi-function remote control with attached cord (for Z-1200II)
4. Z-20 multi-function remote control with attached cord (for Z-1500II & Z-3000II)
5. User Manual

If any equipment is missing contact your ANTARI dealer immediately.

Before beginning your initial setup on ANTARI Z-1200II, Z-1500II or Z-3000II Fog Machine, make sure that there is no evident damage caused by transportation. In the event that the unit’s housing or cable is damaged, do not plug it in and do not attempt to use it until after contacting your ANTARI dealer for assistance.

## **Setup**

- ◆ Remove all packing materials from shipping box. Check that all foam and plastic padding is removed, especially in the nozzle area.
- ◆ Place fog machine on a flat surface and remove fog liquid tank cap.
- ◆ Fill with high-quality, water-based fog liquid recommended by ANTARI dealer. Any other types of fluid can damage the unit resulting in spitting and serious clogging problem. When filled, place cap back on liquid tank.  
Be careful not to exceed the maximum fluid level. **DO NOT OVERFILL.**
- ◆ Firmly attach the Z-8 or Z-20 control module cable to the connector inside the rear chamber of the machine.

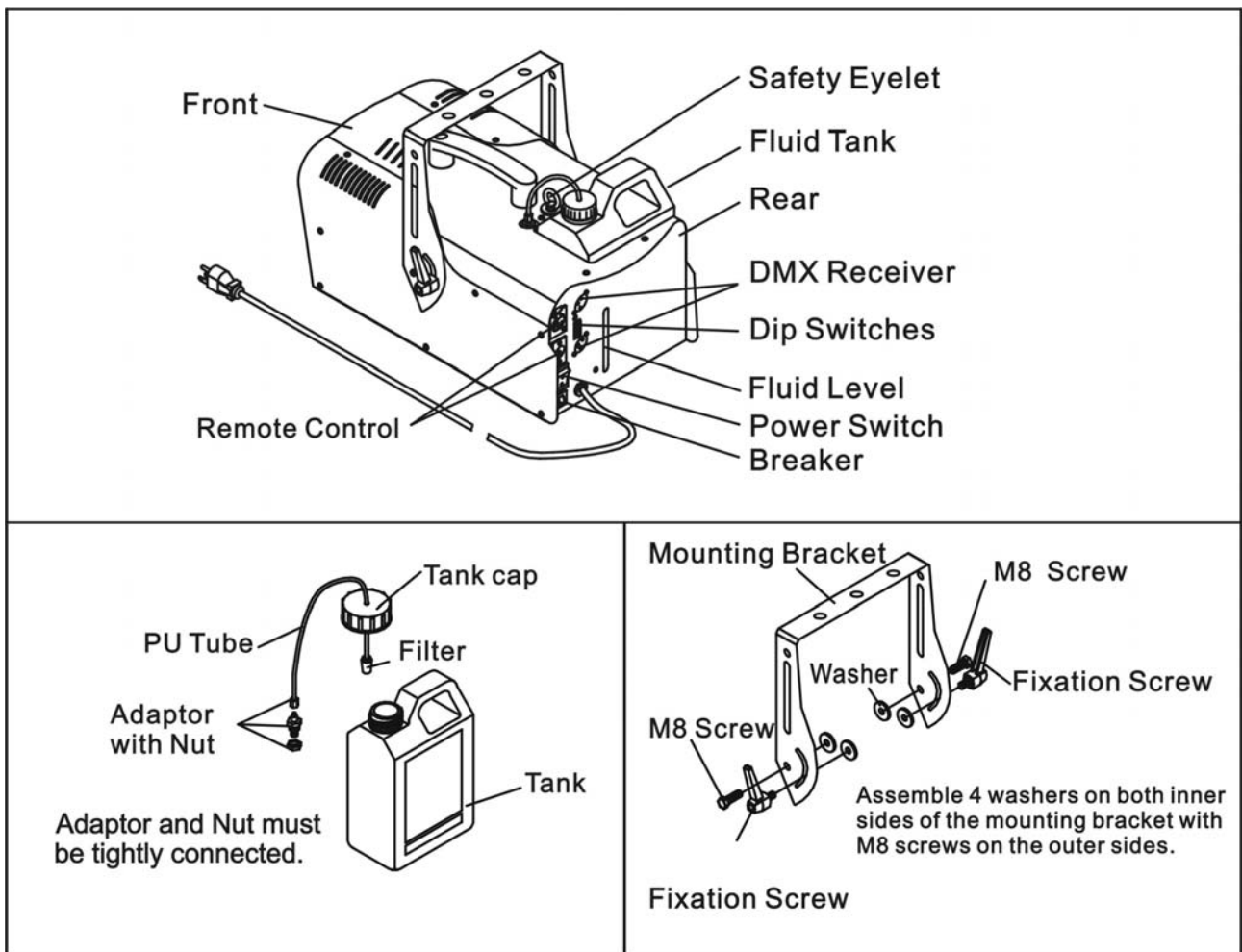
## Z-1200II Operation

- ◆ Add fluid carefully to the liquid tank. Do not overfill the tank.
- ◆ Plug the remote control cord into the slot marked remote control on the back of the machine.
- ◆ Plug power cord into a grounded electrical outlet. Turn the power switch to “ON” on the back of the machine. The red light on the remote will turn ON once the machine is plugged into a power outlet and the ON/OFF switch is turn ON. The unit will take a couple of minutes to warm up the heater. During this time the machine cannot generate fog. The green light on the remote will turn ON once the machine is ready to produce fog.
- ◆ To emit fog press the green button on the remote. Z-1200II is controlled via the Z-8 remote control.
- ◆ For detailed instruction on the various functions on operating your Z-1200II Fog Machine, see the section titled “Remote Control Operation”.

**Important:** Always monitor tank fluid level as you are fogging. Running a fog machine with no fluid can permanently damage the unit.

**Z-1200II:** Your model includes a mounting bracket designed for overhead installation; it may be installed at floor level or suspended overhead. If the unit is to be mounted using the bracket, it is important that the fog does not shoot directly at any one’s face. Whatever installation method you choose, do not allow the unit to have more than a 25 degree angle of inclination.

## Z-1200II Description



**Note:** A fluid level sensor is installed on the unit. The machine will stop to fog if the fluid is lower than usable level.

If you experience low output, pump noise or no output at all, unplug immediately. Check fluid level, the external fuse, remote control connection and power from the wall. If all of the above appears to be O.K., plug the unit again. If fog does not come out after holding the remote button down for 30 seconds, check the hose attached to the tank to make sure there is fluid going through the hose. If you are unable to

determine the cause of the problem, do not simply continue pushing the remote button, as this may damage the unit. Return the machine to your ANTARI dealer.

## Technical Specifications

<b>Model</b>	<b>Z-1200II</b>
<b>Power Supply</b>	115/230 V AC 50/60 Hz~
<b>Power Consumption</b>	1250 W
<b>Output Volume</b>	500 m <sup>3</sup> /min.
<b>Tank Capacity</b>	2.5 liters
<b>Fluid Consumption</b>	44 min./ liter
<b>Weight</b>	11 kg
<b>Dimensions (LxWxH)</b>	480 x 250 x 260 mm
<b>Remote Included</b>	Z-8
<b>Warm-up Time</b>	10 min.

## Remote Control Operation

- ◆ **Z-8:** 10 meter wired multi-function remote control with 4-PIN plug for ANTARI Fog Machine model Z-1200II.

The **Interval** knob adjusts the time between discharges when the timer function is engaged. The range is from 10 seconds to 250 seconds.

The **Volume** knob controls the volume of the fog produced. The range is from 0% - 100% of maximum output.

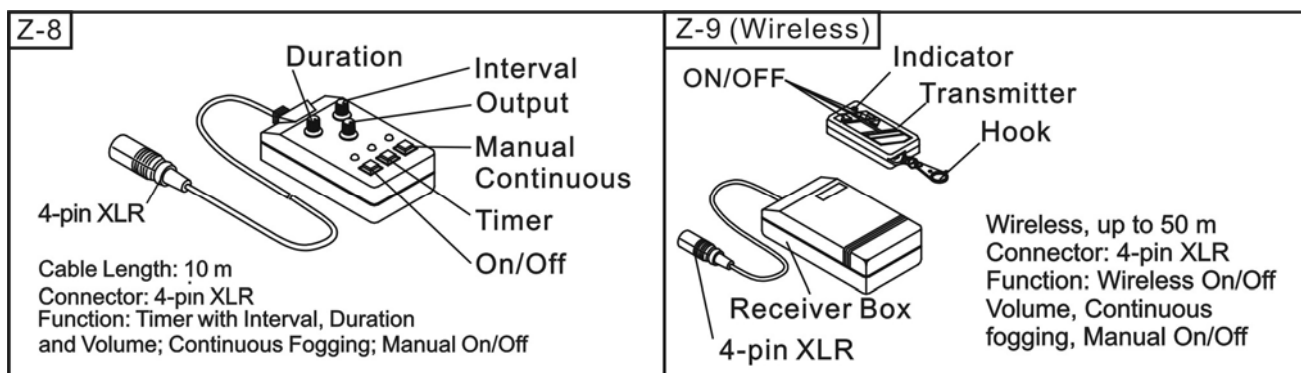
Adjust the **Duration** control knob of each fog emission (within the range of 1 to 15 seconds).

The yellow **TIMER** button controls the timer function. Depress the button to activate. When activated, the yellow light will turn ON. Adjusting the interval knob will determine the time between fog output (10 – 250 seconds). The duration of output is set at 15 seconds. The volume can be adjusted using the volume knob to control the amount of fog produced.

The red **CONTINUOUS** button sets the machine to constant fog production. To activate this function, depress the red button. The volume knob can be used to regulate the volume of the steady stream of fog produced.

The green **MANUAL** button will produce a continuous blast at maximum volume while the button is held down. When released, the manual function stops and the machine will return to the previous setting; timer, continuous, or stationary.

**Note:** The continuous function will override the Timer function. Therefore, if both buttons have been depressed the Z-1200II will fog continuously. The manual function overrides all functions. When depressed and held down the Z-1200II will fog at maximum volume for as long as the button is held down, regardless of the machine's setting at the time.

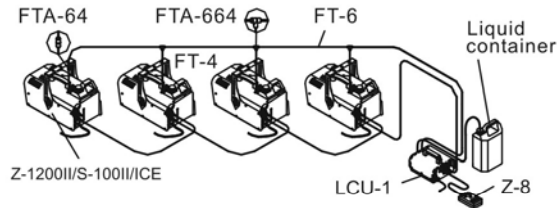


**LCU-1 Connection Diagram**

Put liquid control unit on flat surface then put a tank beside liquid control unit and connect a 6 mm PU tube from liquid output adapter to four sets of (Fog or Snow or ICE) machine. For each terminal use FT-6 or FTA-64 & FTA-664 to divide liquid flow direction.

The advantage of this system is that you'll achieve uniform supply of liquid without climbing ladders anymore to fill empty liquid containers night after night. It also allows the operator to use any type of liquid container or the one that Antari provides.

Refer to the following connection diagram  
 \*Optional parts(FT-6)-(FT-4)-(FTA-64)-(FTA-664).



- Step1: Connect a 6 mm PU tube(FT-6) from LCU-1 to 4 sets of (Fog or Snow or ICE) machine.
- Step2: Use (FTA-664)"T" connector to divide liquid flow direction.
- Step3: Use (FT-4) PU tube to flow the liquid from the (FTA-664 & FTA-64) connector to (Fog or Snow or ICE) machine.
- Step4: Use (FTA-64)"I" connector to guide the liquid from LCU-1 to the last (Fog or Snow or ICE) machine.

## Z-1500II & Z-3000II Operation

- ◆ Add fluid carefully to the liquid tank. Do not overfill the tank.
- ◆ The Plug should be in a position that is accessible when using the machine.
- ◆ Plug power cord into a grounded electrical outlet. Turn the power switch to “ON” on the back of the machine. Warm-up is completed when the display on the control module shows “Ready to Fog”
- ◆ To emit fog press the appropriate button on the control module for the desired length of time.
- ◆ The control unit display will display “Warming up” and “Ready to fog” as the machine re-heats to the proper operating temperature.
- ◆ For further information on operating your Z-1500II, Z-3000II Fog Machine, see the section titled “Control Module Operation”.

**CAUTION:** “Visibility during operation is reduced”.

This model can be operated at a floor level or sitting on any regular surface. Whatever installation method you choose, do not allow the unit to have more than 25 degree angle of inclination.

**Important:** Always monitor tank fluid level as you are fogging. Running a fog machine with no fluid can permanently damage the unit.

**Note:** A fluid level sensor is installed on the unit. The machine will stop to fog if the fluid is lower than usable level.

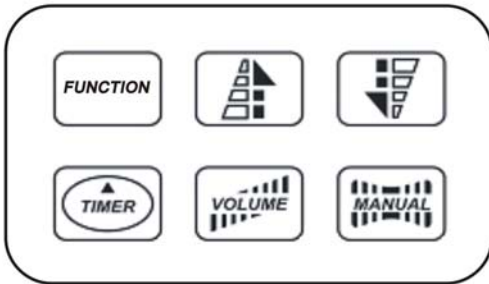
If you experience low output, pump noise or no output at all, unplug immediately. Check fluid level, the external fuse, remote control connection and power from the wall. If all of the above appears to be O.K., plug the unit again. If fog does not come out after holding the remote button down for 30 seconds, check the hose attached to the tank to make sure there is fluid going through the hose. If you are unable to determine the cause of the problem, do not simply continue pushing the remote button, as this may damage the unit. Return the machine to your ANTARI dealer.

### Technical Specifications

Model	Z-1500II	Z-3000II
Power Supply	115/230 V AC 50/60 Hz~	
Power Consumption	1500 W	3000 W
Output Volume	700 m <sup>3</sup> /min.	1400 m <sup>3</sup> /min.
Tank Capacity	6 liters	6 liters
Fluid Consumption	12 min./ liter	6 min./ liter
Weight	14 kg	20 kg
Dimensions(LxWxH)	688 x 285 x 188 mm	735 x 310 x 192 mm
Remote Included	Z-20	Z-20
Optional Remote	Z-30	Z-30
Warm-Up Time	11 min.	12 min.

## Control Module Operation

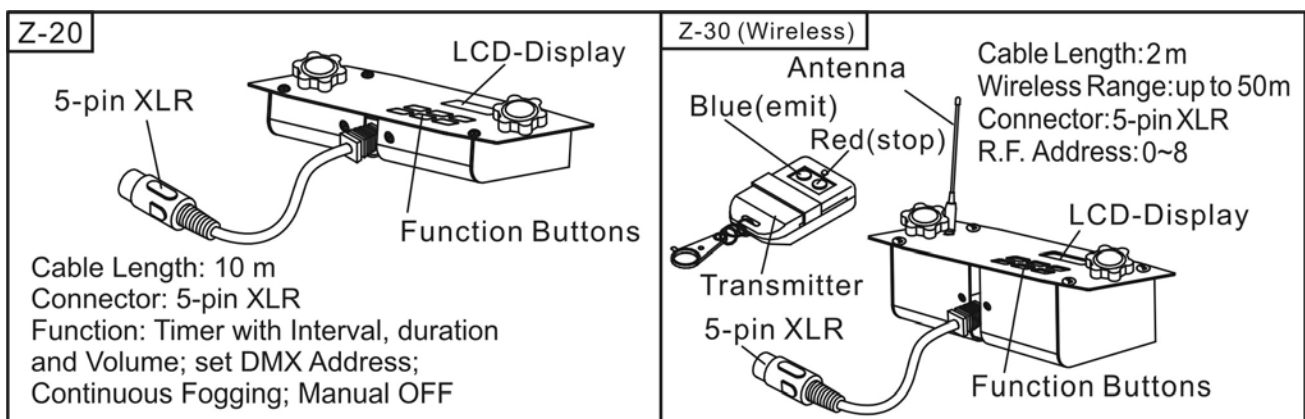
- ◆ **Z-20:** A 10 meter wired multi-function remote control with 5-pin XLR connector for ANTARI Fog Machine models Z-1500II and Z-3000II. Its interface allows the operator to customize fog machine functions by adjusting fogging duration, interval and volume. Its LCD displays current operating parameters, which are automatically stored in non-volatile memory, allowing the machine to be powered down without losing function settings. Instructions below:



1. LCD-Display
2. Function-button
3. Up-/Down-button
4. Timer-button
5. Volume-button
6. Manual-button

1. Via the Function key, you can adjust the desired settings. After pressing the Function key once, the display shows "Interval Set". Adjust the interval between each fog emission (within the range of 1 to 255 seconds) by means of the Up-/Down keys. By pressing the Function-key twice, the display shows "Duration Set". Adjust the duration of each fog emission (within the range of 1 to 20 seconds) by means of the Up/Down keys. Under the menus "Timer Out" and "Volume Out" you can adjust the output volume by means of the Up/Down keys. The menu "DMX Add" refers to adjusting the DMX address for DMX control or synchronization. Adjust the desired DMX-address by means of the Up/Down keys.
2. Press the Timer key to activate the timer function. The display shows the adjusted interval and the device counts the seconds down to "0". After that, the fog emission is triggered at the volume adjusted under "Timer Out". The duration depends on the settings adjusted under "Duration Set". If you wish to deactivate the timer function, press the Timer key once more.
3. Press the Volume switch for immediate triggering of the fog emission at the volume adjusted under "Volume Out". Press the Volume switch once more in order to stop the fog emission.
4. Press the Manual key for immediate triggering of the fog emission at 100 % volume. Let the Manual key loose in order to stop the fog emission.

- ◆ **Z-30:** All the Z-20 features plus wireless capability. Wireless operation is possible up to a distance of 50 meters. The address can be set from 0 to 8, which means a max. 9 different units can be controlled separately or in any combination desired. Press FUNCTION to cycle to RF mode to select desired address number. Make sure the address setting on the Z-30 matches the address setting on the transmitter. There are two buttons on the transmitter. The **blue** one is to emit fog and **red** one is to stop the operation.



## Performance Note

- ◆ All fog machines develop condensation around the output nozzle. Because this may result in some moisture accumulation on the surface below the output nozzle, consider this condensation when installing your unit.
- ◆ All fog machines may sputter small amounts of fog occasionally during operation and for a minute or so after being turned off.
- ◆ All fog machines have a recycling period after long bursts when the machine will shut itself down for a short period in order to heat up again. During this time no fog can be produced.

## Maintenance

Do not allow the fog liquid to become contaminated. Always replace the caps on the fog liquid container and the fog machine liquid tank immediately after filling. After every 40 hours of continuous operation, it is recommended to run a cleaning solution composed of 80% distilled water and 20% ACETIC ACID through the system to prevent the accumulation of particulate matter in the heating element.

The recommended cleaning regimen is as follows:

1. Empty all fog liquid from the machine. Add cleaning solution to tank. Plug unit in and begin warm up.
2. Run the unit in a well-ventilated area until the tank is almost empty. Do not allow the pump to run dry.
3. Replace nozzle.
4. Cleaning is now complete. Refill with fog liquid. Run the machine briefly to clear any cleaning solution from the pump and heater.
5. Do not operate the fog machine without liquid at any time.

**Note:** All fog machines are prone to clogging due to the thick consistency of fog liquid and the high temperature at which it vaporizes. However, a properly maintained fog machine should provide years of reliable use.

**Clean with a dry cloth only. Store dry.**

**Cleaning your fog machine regularly will help reduce costly replacement and repair charges.**

## Storage

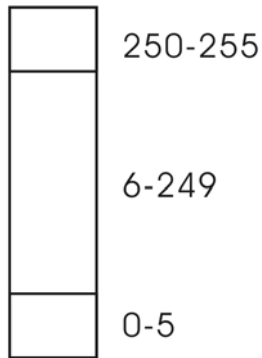
1. When storing run distilled water (not tap water) through the system as described in the cleaning regimen above. This will help avoid any particles condensing inside the pump or heater.
2. It is strongly recommended to test-run the machine on a monthly basis in order to achieve its best fogging condition. A test-run consists of warming up the machine followed by a few minutes of emission. After that, follow Step 1 under Storage.

**Please read and save these instructions.**



# Antari Z-1200II, Z-1500II, Z-3000II on-board DMX settings

## Channel A



**0 - 5 = OFF**

**6 – 249 = Volume Control ( 5% - 95%)**

**250 – 255 = Maximum Volume Output (100%)**

The Z-1200 II, Z-1500II & Z-3000II Fog Machines have on-board DMX control. These models use 1 channel to control volume output operation. Each channel has a value range of 0 to 255. Timer functions such as duration and interval can be programmed using the DMX controller or the DMX control software being used by lighting and effects operator.

**If Channel A has a value from 0 to 5, the unit is OFF.**

**Between the values 6 to 249 the volume of fog output is regulated.** With 6 being the minimum volume of fog produced and 249 approaching the maximum. The volume output rises as the DMX value is increased.

**If Channel A has a value from 250 TO 255, the machine will operate at maximum output.**

**Note:** In the example above, if the machine were assigned the DMX address of 124, Channel A would correspond to DMX address 124.

In general, Antari fog machines with onboard DMX conform to the following performance specifications:

1. Average Operating temperature = 250°C
2. Fogger can maintain maximum output for 30 seconds or more
3. Fogger can maintain constant output at 25% volume setting (roughly a value of 75).

## Addressing (Z-1200II only)

Each device occupies 1 channel. To ensure that the control signals are properly directed to each device, they require addressing. This is to be adjusted for every single device by changing the DIP-switches as set out in the table below.

The starting address is defined as the first channel from which the device will respond to the controller.

Please make sure that you do not have any overlapping channels in order to control each device correctly and independently from any other fixture on the DMX data link. If two, three or more devices are addressed similarly, they will work similarly.

### Occupation of the DIP-switches:

Setting the DMX-starting address:	DIP-switch no.	1	2	3	4	5	6	7	8	9
Device number & channels	Starting address	1	2	4	8	16	32	64	128	256
Device 1 - channel 1	On	▲								
	Off		▼	▼	▼	▼	▼	▼	▼	▼
Device 2 - channel 2	On		▲							
	Off	▼		▼	▼	▼	▼	▼	▼	▼
Device 3 - channel 3	On	▲	▲							
	Off			▼	▼	▼	▼	▼	▼	▼
Device 4 - channel 4	On			▲						
	Off	▼	▼		▼	▼	▼	▼	▼	▼
Device 5 - channel 5	On	▲		▲						
	Off		▼		▼	▼	▼	▼	▼	▼

# **Bedienungsanleitung**

## **Antari Z 1200II, Z-1500II & Z-3000II Nebelgerät**

***Wir beglückwünschen Sie zum Kauf Ihres neuen  
ANTARI Z II NEBELGERÄTES.***

### **Einleitung**

Vielen Dank, dass Sie sich für ein ANTARI Z Nebelgerät entschieden haben. Sie sind nun im Besitz eines robusten und leistungsstarken Nebelgerätes. Vor Benutzung des Gerätes bitte unbedingt diese Bedienungsanleitung sorgfältig lesen. Wenn Sie die Hinweise in dieser Bedienungsanleitung beachten, können Sie sich in den nächsten Jahren auf eine zuverlässige und überzeugende Leistung Ihres ANTARI Nebelgerätes freuen.

Bitte beachten Sie die folgenden Hinweise im Bezug auf Bedienung, Sicherheit und Wartung, um eine lange Lebensdauer und einen sicheren Betrieb Ihres Nebelgerätes sicherzustellen.

### **ACHTUNG:**

Gefahr des elektrischen Schlages. Trennen Sie das Gerät vom Netz, bevor Sie die Abdeckung entfernen.

### **Gefahr eines elektrischen Schlages**

- ◆ Vor Nässe schützen.
- ◆ Nur innerhalb geschlossener Räume betreiben. Nicht für den Betrieb im Freien geeignet.
- ◆ Für die 110V Modelle verwenden Sie bitte ausschließlich 3-adrige, geerdete Steckdosen. Vor Inbetriebnahme darauf achten, dass das Gerät an die richtige Spannung angeschlossen wird.
- ◆ Vor Befüllen des Tankes ist Ihr ANTARI Z Nebelgerät immer vom Netz zu trennen.
- ◆ Achten Sie darauf, dass das Nebelgerät stets aufrecht installiert ist.
- ◆ Wird das Gerät außer Betrieb genommen, ist das Gerät auszuschalten oder vom Netz zu trennen.
- ◆ Dieses Gerät ist nicht wasser- oder spritzwassergeschützt. Sollte Feuchtigkeit, Flüssigkeit oder Nebelfluid in das Geräteinnere eindringen, trennen Sie bitte das Nebelgerät sofort vom Netz und verständigen Sie einen Servicetechniker oder Ihren ANTARI-Händler, bevor Sie das Gerät wieder in Betrieb nehmen.
- ◆ Keine zu wartenden Teile im Geräteinnern. Wartungsarbeiten sind nur vom Ihrem ANTARI-Händler oder qualifizierten Servicetechnikern durchzuführen.

### **Brandgefahr**

- ◆ Nur für Erwachsene. Das Nebelgerät muss außerhalb der Reichweite von Kindern installiert werden. Betreiben Sie das Gerät niemals unbeaufsichtigt.
- ◆ Richten Sie die Nebelaustrittsdüse niemals direkt auf Personen.
- ◆ Der Ausstoß des Nebelgerätes ist sehr heiß. Halten Sie während des Betriebes einen Sicherheitsabstand von ca. 60 cm zur Austrittsdüse ein.
- ◆ Installieren Sie das Nebelgerät an einem gut belüfteten Ort. Niemals die Lüftungsschlitze verdecken. Um eine ausreichende Belüftung zu gewährleisten, halten Sie bitte einen Mindestabstand von 20 cm um und über dem Gerät ein.
- ◆ Richten Sie die Austrittsdüse niemals auf offene Flammen.
- ◆ Wenn die Versorgungsschnur beschädigt wird, muss sie vom Hersteller oder dem Kundendienst oder ähnlich qualifiziertem Personal ersetzt werden, um eine Gefahr zu vermeiden.
- ◆ Die Austrittsdüse wird während des Betriebes sehr heiß (200° C). Für leicht entflammbare Materialien muss ein Mindestabstand von 50 cm zur Austrittsdüse eingehalten werden.
- ◆ Lassen Sie Ihr ANTARI Nebelgerät vor Reinigungs- und Wartungsarbeiten abkühlen.

## Explosionsgefahr

- ◆ Mischen Sie niemals entzündliche Flüssigkeiten jeglicher Art (Öl, Gas, Duftstoffe) unter das Nebelfluid.
- ◆ Verwenden Sie ausschließlich hochwertige und von Ihrem Händler empfohlene Nebelfluidе auf Wasserbasis. Andere Nebelfluidе können zum Verstopfen oder Tropfen des Gerätes führen.
- ◆ Achten Sie unbedingt darauf, dass sich immer eine ausreichende Menge Nebelfluid im Tank befindet. Der Betrieb ohne Nebelfluid führt zu Pumpenschäden und zur Überhitzung des Heizelementes.
- ◆ Sollte Ihr ANTARI Z-1200II, Z-1500II und Z-3000II Nebelgerät einmal nicht mehr ordnungsgemäß arbeiten, schalten Sie es bitte sofort ab. Entleeren Sie den Tank vollständig, verpacken Sie das Gerät sorgfältig (am besten in der Originalverpackung) und schicken Sie es bei Ihrem ANTARI-Händler ein.
- ◆ Entleeren Sie den Tank immer, bevor Sie das Gerät verschicken oder transportieren.
- ◆ Trinken Sie niemals Nebelfluid. Sollte es dennoch einmal verschluckt werden, konsultieren Sie bitte sofort einen Arzt. Sollte die Haut oder die Augen einmal mit Nebelfluid in Berührung kommen, bitte sorgfältig mit Wasser auswaschen.

**Hinweis:** Bitte beachten Sie alle auf dem Gehäuse Ihres ANTARI NEBELGERÄTES angebrachten Warnhinweise und Anweisungen.

## Auspacken & auf Transportschäden untersuchen

Öffnen Sie den Außenkarton und stellen Sie sicher, dass alle Teile, die für den Betrieb des Systems notwendig sind, in einem einwandfreien Zustand eingetroffen sind.

Der Versandkarton sollte folgendes enthalten:

1. Ein Nebelgerät der Serie Z-II mit Netzkabel
2. Montagebügel mit Schrauben und Unterlegscheiben (Z-1200II)
3. Z-8 Multi-Funktionskabelfernbedienung (Z-1200II)
4. Z-20 Multi-Funktionskabelfernbedienung (Z-1500II & 3000II)
5. Bedienungsanleitung

Wenn Ausrüstungsteile fehlen sollten, nehmen Sie bitte sofort mit Ihrem ANTARI-Händler Kontakt auf.

Bevor Sie mit der Inbetriebnahme Ihres ANTARI Z-1200II, Z-1500II und Z-3000 II Nebelgerätes beginnen, stellen Sie sicher, dass kein offensichtlicher Transportschaden vorliegt. Falls das Gehäuse der Einheit oder das Kabel beschädigt sein sollte, stecken Sie es nicht in die Steckdose und versuchen Sie nicht, es zu benutzen, bevor Sie Ihren ANTARI-Händler kontaktiert haben.

## Inbetriebnahme

- ◆ Entfernen Sie jegliches Verpackungsmaterial vom Versandkarton. Vergewissern Sie sich, dass alle Schaumstoff- und Plastikeinlagen entfernt wird, insbesondere in der Nähe der Austrittsdüse.
- ◆ Installieren Sie das Nebelgerät auf einer ebenen Oberfläche und schrauben Sie den Deckel des Fluidtanks ab.
- ◆ Füllen Sie den Tank mit ANTARI Nebelflüssigkeit oder anderen hochwertigen Nebelfluidе auf Wasserbasis. Alle anderen Fluidarten können Beschädigungen am Gerät zur Folge haben. Nach dem Befüllen verschließen Sie den Tank bitte wieder mit dem Deckel.
- ◆ Stecken Sie das Fernbedienungskabel fest in die richtige Eingangsbuchse auf der Rückseite des Gerätes ein.

## Z-1200II Bedienung

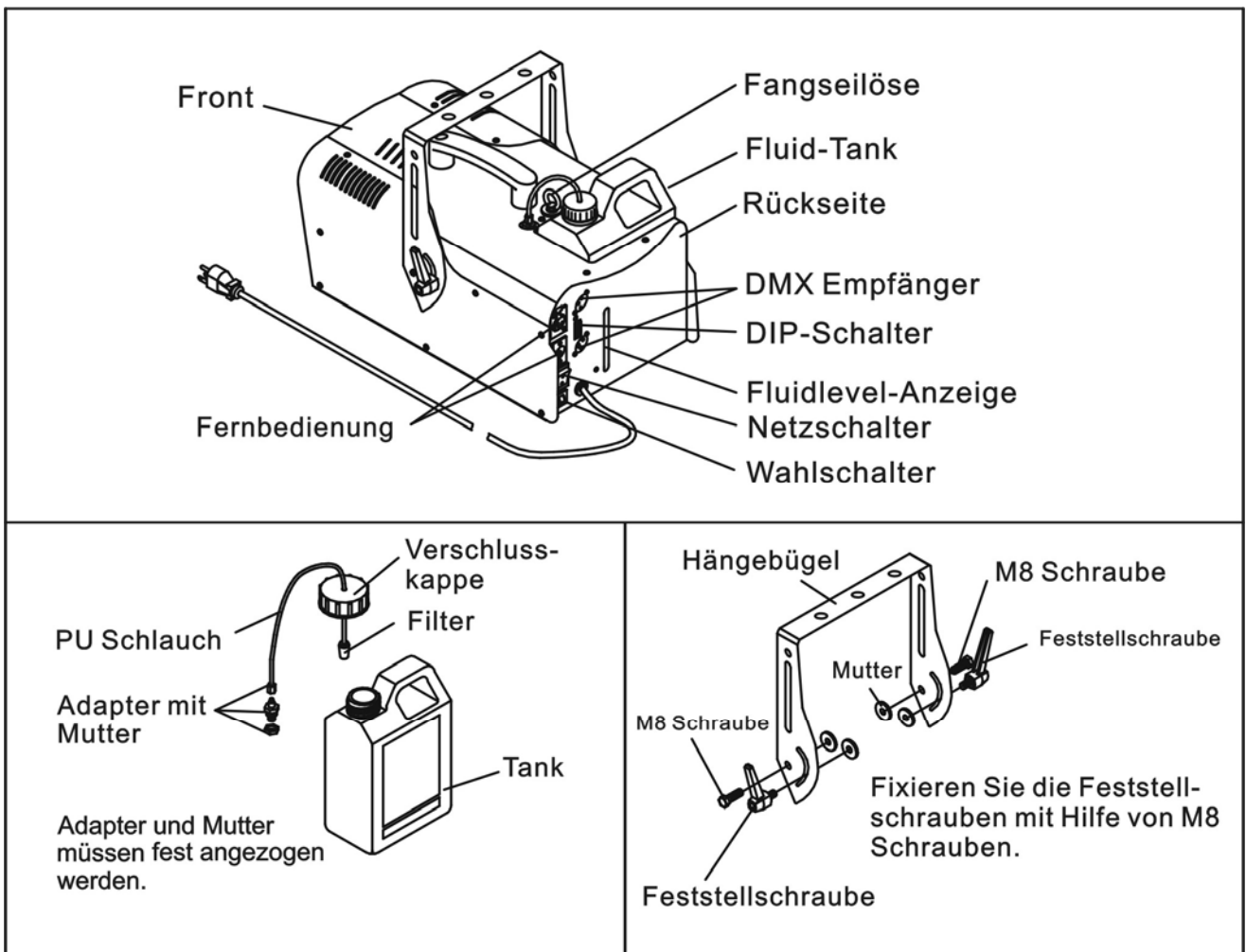
- ◆ Füllen Sie vorsichtig Flüssigkeit in den Tank. Überfüllen Sie den Tank nicht.
- ◆ Stecken Sie den Netzstecker in eine geerdete Schukosteckdose ein. Wenn notwendig, schalten Sie den Netzschalter auf der Rückseite des Gerätes auf "ON". Die Aufheizzeit ist beendet, sobald die grüne Lampe auf der Fernbedienung aufleuchtet.
- ◆ Um den Nebelausstoß auszulösen, drücken Sie bitte den entsprechenden Knopf auf der Fernbedienung. Halten Sie den Knopf solange gedrückt, bis der gewünschte Ausstoß erreicht ist.
- ◆ Die Lampe auf der Fernbedienung wird in dem Maße an- und ausgehen, wie das Gerät wieder aufheizt, um die korrekte Betriebstemperatur zu erreichen.

- ◆ Weitere Informationen zum Betrieb Ihres ANTARI Z-1200II, Z-1500II und Z-3000 II Nebelgerätes finden Sie unter "Bedienung über eine Fernbedienung".

**Wichtig:** Während des Nebelns immer auf die Fluidtankanzeige achten. Der Betrieb eines Nebelgerätes ohne Fluid kann zu irreparablen Schäden Ihres Gerätes führen.

**Z-1200II:** Ihr Modell verfügt über einen Hängebügel; das Gerät kann auf dem Boden oder hängend installiert werden. Wird das Gerät hängend installiert, achten Sie bitte darauf, dass der Nebel niemals direkt in das Gesicht einer Person ausgestoßen wird. Welche Installationsmethode Sie auch wählen, achten Sie darauf, dass der Neigungswinkel niemals 25 Grad überschreitet.

## Z-1200II Beschreibung



**Hinweis:** Das Gerät besitzt einen Flüssigkeitsspiegel. Die Maschine stellt den Nebelbetrieb ein, wenn der Pegel niedriger ist als es für den Betrieb nötig ist.

Sollten Sie einen verminderten Ausstoß, Pumpgeräusche oder überhaupt keinen Ausstoß feststellen, sofort vom Netz trennen. Kontrollieren Sie den Fluidstand, die externe Sicherung, den Anschluß zur Fernbedienung und die Stromversorgung. Sollte nach 30 Sekunden permanenten Drückens des Fernbedienungsknopfes immer noch kein Ausstoß erfolgen, überprüfen Sie bitte den Verbindungsschlauch zum Tank und vergewissern Sie sich, dass Fluid hindurchfließen kann. Wenn Sie die Ursache des Problems nicht feststellen können, drücken Sie bitte nicht weiter die Fernbedienungstaste, da dies zu Schäden am Gerät führen kann. Schicken Sie das Gerät bei Ihrem ANTARI-Händler ein.

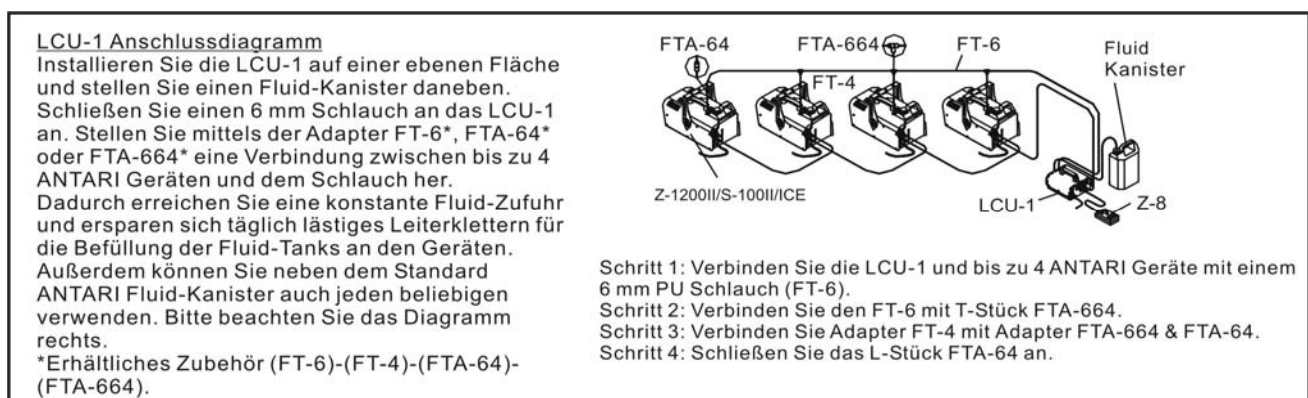
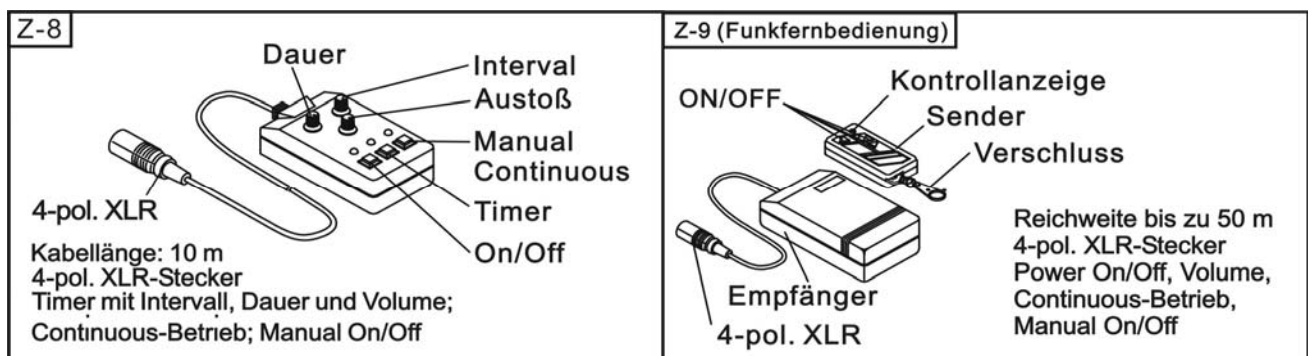
## Technische Daten

<b>Modell</b>	<b>Z-1200II</b>
<b>Spannungsversorgung</b>	115/230 V AC 50/60 Hz~
<b>Gesamtanschlusswert</b>	1250 W
<b>Ausstoßvolumen</b>	500 m <sup>3</sup> /min.
<b>Tankinhalt</b>	2,5 Liter
<b>Fluidverbrauch</b>	44 Min./ Liter
<b>Gewicht</b>	11 Kg
<b>Maße (LxBxH)</b>	480 x 250 x 260 mm
<b>Fernbedienung im Lieferumfang</b>	Z-8
<b>Aufwärmzeit</b>	10 Min.

## Bedienung über eine Fernbedienung

- ◆ Die **Z-8** ist eine Multifunktions-Fernbedienung, mit der sich über ein 10 Meter-Kabel mit 4-poligem XLR-Stecker das Modell ANTARI **Z-1200II** fernbedienen lässt.
- ◆ Mit dem **Intervallknopf** kann die Zeit zwischen den Nebelproduktionen eingestellt werden, wenn der Timer aktiviert ist. Der Bereich beträgt 10 Sekunden ~ 250 Sekunden.
- ◆ Der zweite Knopf mit der Aufschrift **Volume** steuert das Volumen des produzierten Nebels. Der Bereich beträgt 0% ~ 100% des Maximaldurchsatzes.
- ◆ Der gelbe **TIMER**-Knopf steuert die Timerfunktion. Drücken Sie den Knopf, um ihn zu aktivieren. Bei Aktivierung leuchtet das gelbe Licht auf. Durch die Einstellung des Intervallknopfes wird die Zeit zwischen dem Nebelausstoß (10 ~ 250 Sekunden) eingestellt. Die Dauer des Ausstoßes ist auf 15 Sekunden eingestellt. Die Menge kann mit dem Volume-Einstellknopf eingestellt werden, um den Betrag des produzierten Nebels zu steuern.
- ◆ Der grüne **MANUAL**-Knopf bewirkt einen kontinuierlichen Ausstoß mit maximaler Menge, während der Knopf heruntergedrückt bleibt. Wenn er losgelassen wird, stoppt der manuelle Betrieb, und die Maschine kehrt zur vorherigen Einstellung zurück, d. h. Timer, Continuous oder Stationary.

**Hinweis:** Der Continuous-Betrieb dominiert über den Timer-Betrieb. Wenn daher beide Knöpfe heruntergedrückt wurden, stößt der Fazer kontinuierlich Nebel aus. Der manuelle Betrieb dominiert über alle Betriebsarten. Wenn er heruntergedrückt und gehalten wird, stößt der Fazer so lange Nebel mit maximaler Menge aus, wie der Knopf heruntergedrückt bleibt, und zwar unabhängig von der derzeit aktuellen Einstellung der Maschine.



## Z-1500II, Z-3000II Bedienung

- ◆ Füllen Sie vorsichtig Flüssigkeit in den Tank. Überfüllen Sie den Tank nicht.
- ◆ Stecken Sie den Netzstecker in eine geerdete Schukosteckdose ein. Wenn notwendig, schalten Sie den Netzschalter auf der Rückseite des Gerätes auf "ON". Die Aufheizzeit ist beendet, sobald die grüne Lampe auf der Fernbedienung aufleuchtet.
- ◆ Um den Nebelausstoß auszulösen, drücken Sie bitte den entsprechenden Knopf auf der Fernbedienung. Halten Sie den Knopf solange gedrückt, bis der gewünschte Ausstoß erreicht ist.
- ◆ Die Lampe auf der Fernbedienung wird in dem Maße an- und ausgehen, wie das Gerät wieder aufheizt, um die korrekte Betriebstemperatur zu erreichen.
- ◆ Weitere Informationen zum Betrieb Ihres ANTARI Z-1500II und Z-3000 II Nebelgerätes finden Sie unter "Bedienung über eine Fernbedienung".
- ◆ Achten Sie bei der Installation darauf, dass der Nebel niemals direkt in das Gesicht einer Person ausgestoßen wird und der Neigungswinkel niemals 25 Grad überschreitet.

**Hinweis:** Das Gerät besitzt einen Flüssigkeitsspiegel. Die Maschine stellt den Nebelbetrieb ein, wenn der Pegel niedriger ist als es für den Betrieb nötig ist.

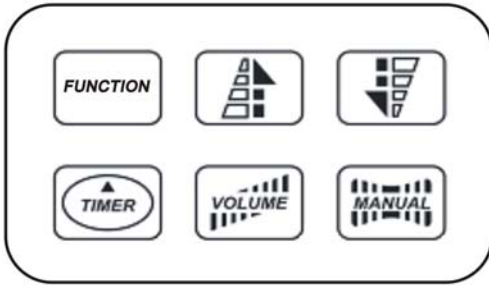
Sollten Sie einen verminderten Ausstoß, Pumpgeräusche oder überhaupt keinen Ausstoß feststellen, sofort vom Netz trennen. Kontrollieren Sie den Fluidstand, die externe Sicherung, den Anschluß zur Fernbedienung und die Stromversorgung. Sollte nach 30 Sekunden permanenten Drückens des Fernbedienungsknopfes immer noch kein Ausstoß erfolgen, überprüfen Sie bitte den Verbindungsschlauch zum Tank und vergewissern Sie sich, dass Fluid hindurchfließen kann. Wenn Sie die Ursache des Problems nicht feststellen können, drücken Sie bitte nicht weiter die Fernbedienungstaste, da dies zu Schäden am Gerät führen kann. Schicken Sie das Gerät bei Ihrem ANTARI-Händler ein.

### Technische Daten

Modell	Z-1500II	Z-3000II
Spannungsversorgung	115/230 V AC 50/60 Hz~	
Gesamtanschlusswert	1500 W	3000 W
Ausstoßvolumen	700 m <sup>3</sup> /min.	1400 m <sup>3</sup> /min.
Tankinhalt	6 Liter	6 Liter
Fluidverbrauch	12 Min./ Liter	6 Min./ Liter
Gewicht	14 Kg	20 Kg
Maße (LxBxH)	688 x 285 x 188 mm	735 x 310 x 192 mm
Fernbedienung im Lieferumfang	Z-20	Z-20
Fernbedienung erhältlich	Z-30	Z-30
Aufwärmzeit	11 Min.	12 Min.

### Bedienung über eine Fernbedienung

Die Z-20 ist eine Fernbedienung, mit der sich über ein 10 Meter-Kabel mit 5-poligem XLR-Stecker die ANTARI-Nebelgeräte Z-1500II und Z-3000II bedienen lassen. Die Schnittstelle der Fernbedienung ermöglicht persönliche Einstellungen bei Nebeldauer, Zeitabstand und Volumen. Das LCD Display zeigt die aktuellen Parameter an. Diese werden automatisch gespeichert, wodurch die Nebelmaschine abgeschaltet werden kann, ohne dass Einstellungen verloren gehen.



1. LCD-Display
2. FUNCTION-Taste
3. UP-/DOWN-Taste
4. TIMER-Taste
5. VOLUME-Taste
6. MANUAL-Taste

1. Über die FUNCTION-Taste können Sie die gewünschten Einstellungen in den Menüs Volume, Timer, Heat und Fan vornehmen. Drücken Sie ENTER (Volume) um eine Einstellung auszuwählen und sie zu verändern. Unter den Menüpunkt Volume können Sie die Nebelausstoßmenge über die UP-/DOWN-Tasten zwischen 1 und 100% einstellen. Die Zeitabstände zwischen den einzelnen Nebelausstößen (zwischen 1 und 255 Sekunden) lassen sich im Menü Timer über die UP-/DOWN-Tasten einstellen. Die Dauer jedes Nebelausstoßes (zwischen 1 und 20 Sekunden) lässt sich über die UP-/DOWN-Tasten einstellen. Über das Menü Heat und Fan können Sie das Heizelement und den Lüfter ein-und abschalten. Drücken Sie dafür ON/OFF.

2. Drücken Sie immer ENTER (VOLUME), um die Einstellungen zu bestätigen.

3. Drücken Sie ESC (TIMER), um das aktuelle Menü zu verlassen und in ein vorhergehendes Menü zu wechseln.

4. Durch Drücken der TIMER-Taste aktivieren Sie die Timer-Funktion. Auf dem Display erscheint das eingestellte Zeitintervall und das Gerät zählt die Sekunden rückwärts bis auf "0". Danach wird der Nebelausstoß gemäß den Einstellungen "timer Out" ausgelöst. Die Nebeldauer richtet sich nach der Einstellung unter "Duration Set". Wenn Sie die Timer-Funktion deaktivieren wollen, drücken Sie erneut die TIMER-Taste.

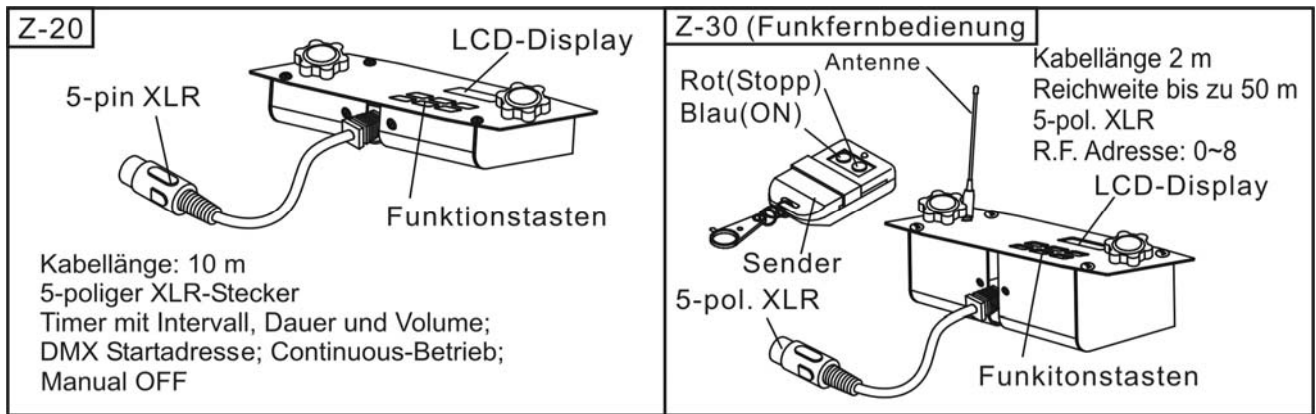
5. Durch Drücken der VOLUME-Taste wird der Nebelausstoß gemäß der Einstellungen unter "Volume Out" sofort ausgelöst. Wenn Sie den Nebelausstoß stoppen wollen, drücken sie erneut den volume-Schalter.

6. Durch Drücken der MANUAL-Taste wird der Nebelausstoß sofort mit einer Nebelmenge von 100% ausgelöst. Lassen Sie die MANUAL-Taste wieder los, wenn Sie den Nebelausstoß stoppen wollen.

7. Wenn sich das Gerät im Standby Modus befindet und Sie wollen es wieder einschalten müssen Sie ON/OFF drücken.

**Z-30:** Die Z-30 besitzt alle Funktionen der Z-20. Zusätzlich ist ein drahtloser Betrieb bis zu einem Abstand von 50 Metern möglich. Die Adresse kann von 0 bis 8 eingestellt werden, d.h. es können insgesamt 9 Geräte separat oder in jeder Kombination gesteuert werden. Drücken Sie FUNCTION, um im RF Modus die gewünschte Adresse auszuwählen. Achten Sie darauf, dass die Adresse der Z-30 mit den Einstellungen des Transmitters übereinstimmt. Es gibt zwei Tasten auf dem Transmitter. Mit der blauen Taste wird der Nebel ausgestoßen und mit der roten Taste wird der Betrieb gestoppt.





## Hinweise zur Leistung

- ◆ Alle Nebelgeräte bilden um die Austrittsdüse Kondenswasser. Beachten Sie bitte bei der Installation, dass dies zu Flüssigkeitsansammlungen unterhalb der Austrittsdüse führen kann.
- ◆ Alle Nebelgeräte können während des Betriebes oder bis ca. 1 Minute nachdem das Gerät außer Betrieb genommen wurde, gelegentlich etwas Nebel ausstoßen.
- ◆ Alle Nebelgeräte benötigen nach längerem Dauerbetrieb Betriebspausen, um wieder auf die korrekte Betriebstemperatur zu kommen. Während diesen Pausen ist kein Nebelausstoß möglich.

## Wartung

Achten Sie darauf, dass das Nebelfluid nicht verunreinigt wird. Setzen Sie sofort nach Befüllen des Tankes den Deckel des Tankes sowie des Kanister wieder auf.

Nach 40 Betriebsstunden wird empfohlen, eine Reinigungsflüssigkeit bestehend aus 80% destilliertem Wasser und 20% Essigsäure durch das System laufen zu lassen. Dadurch lassen sich Ablagerungen im Heizelement vermeiden. Bitte gehen Sie wie folgt vor:

1. Entleeren Sie den Tank vollständig. Füllen Sie die Reinigungsflüssigkeit in den Tank ein. Stecken Sie das Gerät ein und schalten Sie es an.
2. Betreiben Sie das Gerät in gut belüfteten Räumen, bis der Tank leer ist. Lassen Sie der Pumpe nicht versiegen.
3. Die Reinigung ist damit abgeschlossen. Füllen Sie den Tank wieder mit Nebelfluid. Betreiben Sie kurz die Maschine um die Pumpe und die Heizung von der Reinigungslösung zu säubern.
4. Betreiben Sie Ihr Nebelgerät nie ohne Flüssigkeit.

**Hinweis:** Alle Nebelgeräte sind aufgrund der Dickflüssigkeit des Nebelfluids und der hohen Verdampfungstemperatur anfällig für Verstopfungen. Nichtsdestotrotz sollte ein regelmäßig gewartetes Nebelgerät Ihnen jahrelang treue Dienste leisten.

Reinigen Sie das Gerät nur mit einem trockenen Tuch. Trocken lagern.

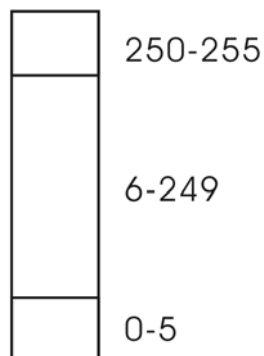
Reinigen Sie Ihr Nebelgerät regelmäßig, um hohe Kosten für Ersatzteile und Reparaturen zu senken.

## **Lagerung**

1. Für die Lagerung lassen Sie destilliertes Wasser (kein Leitungswasser) durch das System laufen, wie in der Reinigungsanleitung beschrieben. Dadurch vermeiden Sie, dass Partikel innerhalb der Pumpe oder der Heizung kondensieren.
2. Wir empfehlen Ihnen monatlich an der Maschine einen Testlauf durchzuführen, der aus einer Aufwärmzeit besteht und einigen Minuten Nebelausstoß. Befolgen Sie danach Schritt 1.

**Bitte bewahren Sie diese Anleitung gut auf.**

## Antari Z-1200II, Z-1500II, Z-3000II DMX-Einstellungen



**0 - 5 = Aus**

**6 – 249 = Ausstoßregulierung (5% - 95%)**

**250 – 255 = Maximaler Nebelausstoß (100%)**

**Die Nebelgeräte Z-1200II, Z-1500II, Z-3000II verfügen über DMX-Ansteuerung.** Sie lassen sich über einen DMX-Kanal im Ausstoß regulieren. Jeder Kanal bewegt sich innerhalb der DMX-Werte 0 bis 255. Timer-Funktionen wie Nebeldauer und Intervall können über den DMX-Controller oder die DMX-Software über das Lichteffektfenster programmiert werden.

**Zwischen den Werten 0 und 5 von Steuerkanal A ist das Gerät aus.**

**Zwischen den Werten 6 bis 249 wird der Nebelausstoß reguliert.** Dabei bezieht sich der Wert 6 auf den minimalen Nebelausstoß und 249 auf den maximalen Nebelausstoß. Der Nebelausstoß steigt mit zunehmendem DMX-Wert.

**Zwischen den Werten 250 und 255 läuft das Gerät bei maximalem Nebelausstoß.**

Bitte beachten Sie, dass wenn das Gerät in dem o.g. Beispiel auf die DMX-Startadresse 124 kodiert würde, Kanal A genau dieser DMX-Startadresse entspricht.

Im Allgemeinen verfügen DMX-gesteuerte Antari Nebelgeräte über folgende Leistungsdaten:

1. Durchschnittliche Betriebstemperatur = 250°C
2. Intervalldauer bei maximalem Nebelausstoß ca. 30 Sekunden
3. Konstanter Nebelausstoß bei ca. 25% Nebelausstoß  
(dies entspricht einem DMX-Wert zwischen 70 und 75).

## Adressierung des Geräts (nur Z-1200II)

Jeder Gerät belegt 1 Steuerkanal. Damit die Steuersignale richtig an jedes Gerät adressiert werden, müssen die Geräte kodiert werden. Die Kodierung muss an jedem Gerät einzeln durchgeführt werden, indem Sie die DIP-Schalter entsprechend untenstehender Tabelle einstellen.

Die Startadresse ist der erste Kanal, auf den ein Gerät auf Signale vom Controller reagiert.

Bitte vergewissern Sie sich, dass sich die Steuerkanäle nicht mit anderen Geräten überlappen, damit das Gerät korrekt und unabhängig von anderen Geräten in der DMX-Verbindung funktioniert. Werden mehrere Geräte auf eine Adresse definiert, arbeiten sie synchron.

### Belegung der DIP-Schalter:

Einstellen der DMX-Startadresse:	DIP-Schalter Nr.	1	2	3	4	5	6	7	8	9
Gerätenummer & Kanäle	Startadresse	1	2	4	8	16	32	64	128	256
Gerät 1 - Kanal 1	On	▲								
	Off		▼	▼	▼	▼	▼	▼	▼	▼
Gerät 2 - Kanal 2	On		▲							
	Off	▼		▼	▼	▼	▼	▼	▼	▼
Gerät 3 - Kanal 3	On	▲	▲							
	Off			▼	▼	▼	▼	▼	▼	▼
Gerät 4 - Kanal 4	On			▲						
	Off	▼	▼		▼	▼	▼	▼	▼	▼
Gerät 5 - Kanal 5	On	▲		▲						
	Off		▼		▼	▼	▼	▼	▼	▼

# **Mode d'emploi**

## **Antari Z 1200II, Z-1500II & Z-3000II machine à fumée**

***Nous vous félicitons pour l'achat de votre nouvelle machine à fumée ANTARI.***

### **Introduction**

Nous vous remercions d'avoir choisi une machine à fumée ANTARI Z. Vous êtes en possession d'un produit robuste et puissant. En vue d'utiliser correctement votre nouvel appareil, veuillez lire attentivement ce mode d'emploi. Si vous respectez les instructions suivantes, vous profiterez d'une performance solide et convaincante de votre machine à fumée ANTARI pour de nombreuses années.

Pour assurer la longévité et le bon fonctionnement de votre machine à fumée, veuillez lire attentivement les instructions suivantes concernant le maniement, la sécurité et l'entretien.

### **Risques d'électrocution**

- ◆ Risque de décharge électrique. Démontez l'approvisionnement électrique de l'appareil avant de retirer la couverture.
- ◆ Protéger de l'humidité.
- ◆ L'appareil a été conçu pour un emploi dans des locaux clos. Ne pas utiliser à l'extérieur.
- ◆ Pour les modèles de 110V, utilisez uniquement des prises de courant à terre à 3 broches. Avant la première mise en marche, assurez vous que l'appareil soit branché à l'alimentation correcte.
- ◆ Débranchez l'appareil avant de remplir le réservoir.
- ◆ Assurez vous d'installer la machine à fumée toujours droit.
- ◆ Eteignez l'appareil ou débranchez-le du secteur, quand il est hors d'usage.
- ◆ Si de l'humidité, du liquide ou du liquide à fumée devait pénétrer à l'intérieur de l'appareil, débranchez le immédiatement et contactez un technicien ou votre revendeur ANTARI avant de le réutiliser.
- ◆ A l'intérieur de l'appareil, il n'y a aucune partie qui ait besoin d'être révisée. Les travaux d'entretien sont à faire effectuer par votre revendeur ANTARI ou par des spécialistes.

### **Danger d'incendie**

- ◆ L'usage de cet appareil n'est prévu que pour les adultes. Installez le hors de portée des enfants. Ne jamais faire marcher sans surveillance.
- ◆ Ne jamais braquer le bec de l'appareil directement sur des personnes.
- ◆ Le débit de la machine à fumée est très chaud. Pendant que la machine est en marche, respectez une distance d'environ 60 cm vis-à-vis son bec.
- ◆ Installez l'appareil à un endroit bien aéré. Ne jamais couvrir les orifices d'aération. Pour garantir une aération suffisante, laissez un espace libre de 20 cm tout autour de l'appareil.
- ◆ Ne jamais braquer le bec de la machine sur des flammes.
- ◆ Le bec de la machine devient très chaud (200° C) pendant son fonctionnement. Respectez une distance minimum de 50 cm entre le bec de la machine et les matériaux inflammables.
- ◆ Laissez refroidir la machine à fumée ANTARI avant toute manipulation.

### **Risques d'explosion**

- ◆ Ne jamais mélanger des liquides inflammables gazeux ou huileux avec le liquide à fumée.
- ◆ Employez uniquement des liquides à fumée de haute qualité à base d'eau recommandée par votre revendeur. D'autres liquides à fumée pourraient causer des problèmes d'encrassement ou des crachotements.
- ◆ Faites attention qu'il y ait toujours suffisamment de liquide à fumée dans le réservoir. Un emploi sans liquide pourrait endommager la pompe ou provoquer la surchauffe de l'élément de chauffage.

- ◆ Si votre machine à fumée ANTARI ne devait plus fonctionner correctement, éteignez le immédiatement. Videz complètement le réservoir, emballez le soigneusement (au mieux dans son emballage d'origine) et l'envoyez-le à votre revendeur ANTARI.
- ◆ Toujours vider le réservoir avant d'envoyer ou transporter l'appareil.
- ◆ Ne jamais avaler le liquide à fumée. Si c'était tout de même le cas, consultez un médecin immédiatement. En cas de contact avec la peau ou les yeux, rincer à grande eau.

**Remarque:** Veuillez suivre toute instruction de sécurité appliquée sur le boîtier de votre machine à fumée ANTARI.

## Déballage & inspection

Ouvrez le carton extérieur et assurez vous que toutes les pièces n'aient subi aucun dommage durant leur transport. Assurez-vous que le carton d'expédition contient le articles suivants:

1. Une unité de machine de brouillard de la Z-Série II et câble secteur
2. Lyre de fixation avec vis et rondelle (Z-1000II)
3. Z-8 télécommande (Z-1200II)
4. Z-20 télécommande (Z-1500II & Z-3000II)
5. Mode d'emploi

Servez vous de la liste des "Accessoires" ci-jointe pour vérifier si votre modèle vous a été livré avec son équipement complet. En cas de livraison endommagée ou incomplète, toujours contactez immédiatement votre revendeur ANTARI.

## Installation

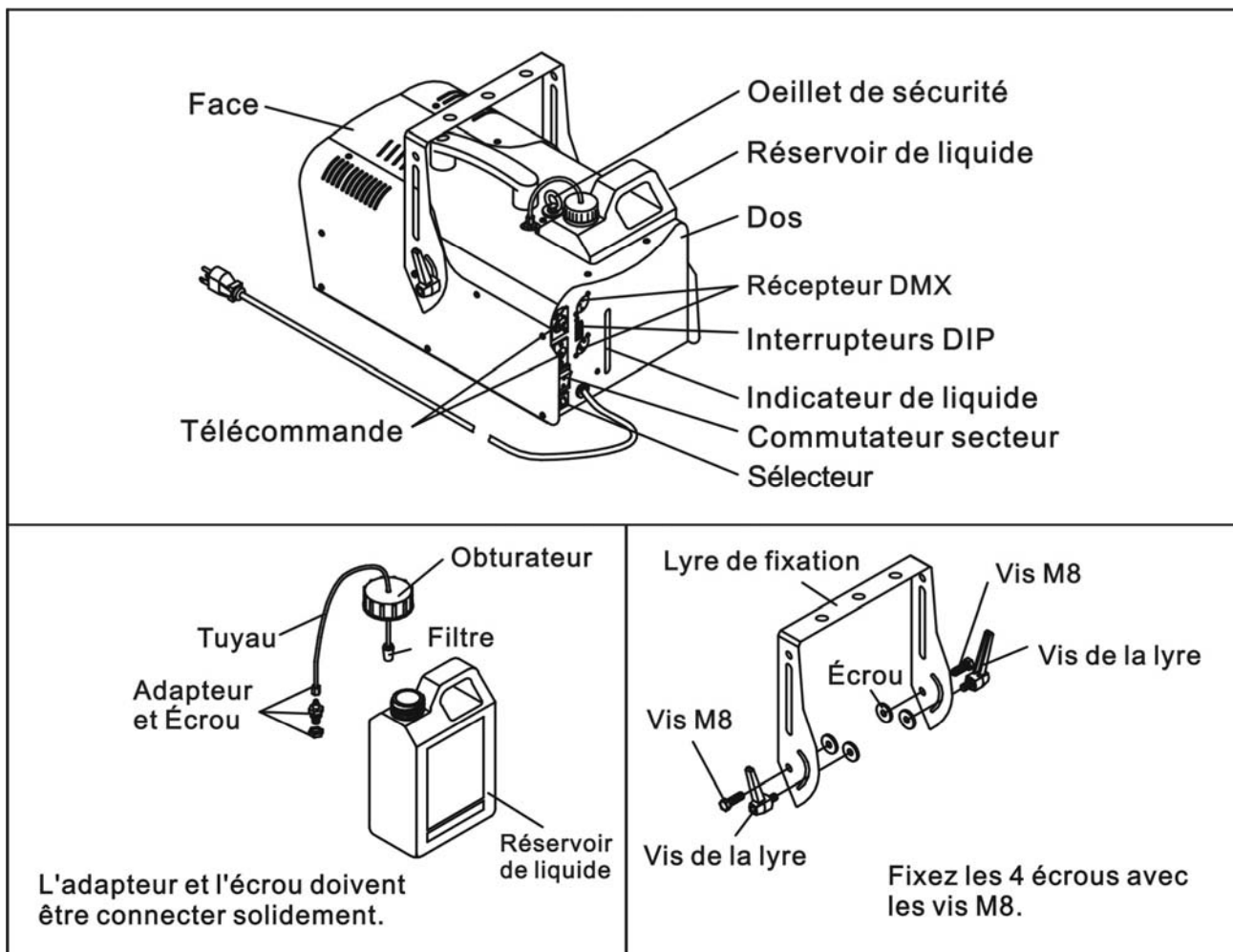
- ◆ Enlevez tout matériau d'emballage. Assurez vous d'avoir enlevé toute la mousse et le rembourrage en plastique, surtout au bec de la machine.
- ◆ Placez la machine à fumée sur une surface plane et dévissez le couvercle du réservoir du liquide à fumée.
- ◆ Remplissez le réservoir de liquide à fumée ANTARI ou d'un autre liquide à fumée de haute qualité à base d'eau. Refermez le réservoir.
- ◆ Connectez le câble de la télécommande à la douille d'entrée correspondante de la machine à fumée qui est située au dos de l'appareil.

## Z-1200II Maniement

- ◆ Branchez la fiche d'alimentation de la machine à fumée dans une prise de courant avec terre. Mettez le commutateur d'alimentation à l'arrière de l'appareil en mode "ON". Le temps de préchauffage est terminé, dès que l'indicateur lumineux vert de la télécommande s'allume.
- ◆ Pour déclencher le jet de fumée, pressez le bouton correspondant de la télécommande. Continuez à appuyer sur le bouton jusqu'à ce que le débit désiré soit atteint.
- ◆ L'indicateur lumineux sur la télécommande s'éteint chaque fois que la machine rechauffe pour atteindre la température de fonctionnement nécessaire.
- ◆ Pour des informations complémentaires concernant le maniement de votre machine à fumée ANTARI, voir la partie intitulée "Maniement avec télécommande".

**Z-1200II:** Votre modèle dispose d'un lyre de fixation et peut être fixé au plafond. Lors de cette installation, faites attention que la fumée ne s'évapore pas directement en direction de visages des personnes. Quelle que soit la méthode d'installation que vous choisissiez, faites attention à ce que l'angle d'inclinaison ne soit pas supérieure à 25 degrés.

## Z-1200II Description



**Important:** Surveillez toujours le niveau de liquide à fumée dans le réservoir pendant les jets de fumée. Un emploi sans liquide à fumée peut endommager la machine.

Si vous constatez un débit trop faible, un bruit de la pompe ou un manque total de fumée, débranchez immédiatement votre machine. Vérifiez le niveau de liquide, le fusible externe, la connection à la télécommande et l'alimentation au secteur. Si tout apparaît être correct, branchez de nouveau. S'il n'y a aucune production de fumée après que vous avez pressé le bouton de la télécommande pendant 30 secondes, vérifiez si le liquide passe par le disperseur qui est attaché au réservoir. Si vous n'arrivez pas à déterminer la cause du problème, ne continuez pas à presser le bouton de la télécommande. Cela pourrait endommager votre machine. Retournez la machine à votre revendeur ANTARI.

## Caractéristiques Techniques

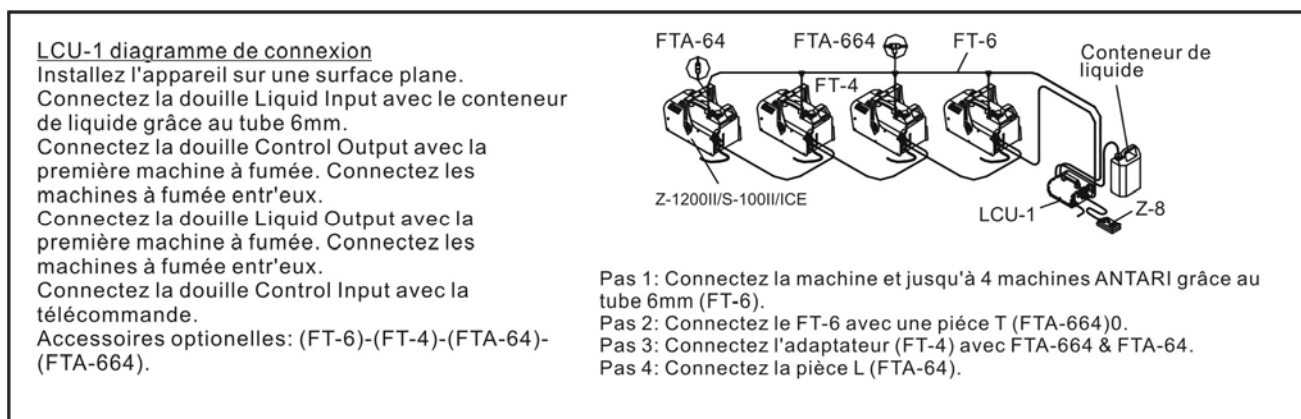
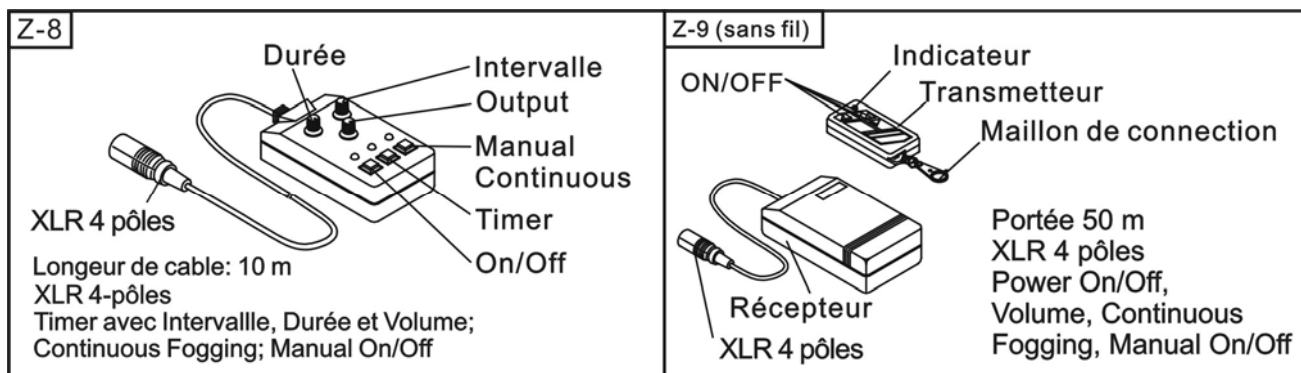
<b>Modèle</b>	<b>Z-1200II</b>
<b>Alimentation</b>	115/230 V AC 50/60 Hz~
<b>Puissance de rendement</b>	1250 W
<b>Volume d'émission</b>	500 m <sup>3</sup> /min.
<b>Contenu du réservoir</b>	2,5 litre
<b>Consommation de liquide</b>	44 Min./ litre
<b>Poids</b>	11 kg
<b>Dimensions (LxIxH)</b>	480 x 250 x 260 mm
<b>Éloigné Inclus</b>	Z-8
<b>Temps de chauffage</b>	10 Min.

## Maniement avec télécommande

La Z-8 est une télécommande multifonctionnelle qui contrôle le modèle Z-1200II d'Antari par un câble de 10 mètres ayant une fiche à 4 pôles.

- ◆ Le bouton intervalle ajuste le temps entre les décharges, quand la fonction de timer est engagée. La bande est de 10 secondes ~ 250 secondes.
- ◆ Le second bouton avec l'inscription volume, contrôle le volume de la fumée produite. La bande est de 0% ~ 100% de débit maximal.
- ◆ Le bouton jaune TIMER contrôle la fonction timer. Pressez le bouton pour l'activer. En cas d'activation, le témoin lumineux jaune s'allumera. L'ajustement du bouton intervalle déterminera le temps entre les débits de fumée (10 ~ 250 secondes). La durée du débit est ajustée à 15 secondes. Le volume peut être ajusté en utilisant le bouton volume pour contrôler la quantité de fumée produit.
- ◆ Le bouton rouge CONTINUOUS cause que l'appareil ait une production constante de fumée. Pour activer cette fonction, pressez le bouton rouge. Le bouton volume peut être utilisé pour régler le volume du courant constant de fumée produit.
- ◆ Le bouton MANUAL vert produira un débit continu à volume maximal, pendant que le bouton est pressé. Si relâché, la fonction manual s'arrête et l'appareil retourne vers l'ajustement avant; timer, continu ou stationnaire.

**Note:** la fonction Continuous dominera la fonction Timer. Pour cette raison, si les deux boutons ont été pressés, le Fazer produira de la fumée de manière continue. La fonction manual dominera toutes les fonctions. Si pressé et tenu, le Fazer produira du débit aussi longtemps que le bouton est pressé, indépendamment des ajustements de l'appareil à ce moment donné.





## Z-1500II, Z-3000II Maniement

- ◆ Branchez la fiche d'alimentation de la machine à fumée dans une prise de courant avec terre. Mettez le commutateur d'alimentation à l'arrière de l'appareil en mode "ON". Le temps de préchauffage est terminé, dès que l'indicateur lumineux vert de la télécommande s'allume.
- ◆ Pour déclencher le jet de fumée, pressez le bouton correspondant de la télécommande. Continuez à appuyer sur le bouton jusqu'à ce que le débit désiré soit atteint.
- ◆ L'indicateur lumineux sur la télécommande s'éteint chaque fois que la machine rechauffe pour atteindre la température de fonctionnement nécessaire.
- ◆ Pour des informations complémentaires concernant le maniement de votre machine à fumée ANTARI, voir la partie intitulée "Maniement avec télécommande".

**Important:** Surveillez toujours le niveau de liquide à fumée dans le réservoir pendant les jets de fumée. Un emploi sans liquide à fumée peut endommager la machine.

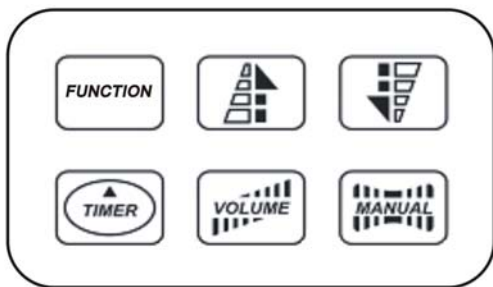
Si vous constatez un débit trop faible, un bruit de la pompe ou un manque total de fumée, débranchez immédiatement votre machine. Vérifiez le niveau de liquide, le fusible externe, la connection à la télécommande et l'alimentation au secteur. Si tout apparaît être correct, branchez de nouveau. S'il n'y a aucune production de fumée après que vous avez pressé le bouton de la télécommande pendant 30 secondes, vérifiez si le liquide passe par le disperseur qui est attaché au réservoir. Si vous n'arrivez pas à déterminer la cause du problème, ne continuez pas à presser le bouton de la télécommande. Cela pourrait endommager votre machine. Retournez la machine à votre revendeur ANTARI.

### Caractéristiques Techniques

Modèle	Z-1500II	Z-3000II
Alimentation	115/230 V AC 50/60 Hz ~	
Puissance de rendement	1500 W	3000 W
Volume d'émission	85 m <sup>3</sup> /min.	85 m <sup>3</sup> /min.
Contenu du réservoir	6 litre	6 litre
Consommation de liquide	12 Min./ litre	5 Min./ litre
Poids	14 kg	20 kg
Dimensions (LxIxH)	688 x 285 x 188 mm	735 x 310 x 192 mm
Éloigné Inclus	Z-20	Z-20
Facultatif Éloigné	Z-30	Z-30
Temps de chauffage	11 Min.	12 Min.

### Maniement avec télécommande

- ◆ **Z-20:** La télécommande multifonction Z-20 est reliée à un cordon de 10 m, et est composée de 5 broches XLR, et peut être connectée aux différents modèles de machines à fume Z-1500II et Z-3000II. Son interface permet à l'opérateur d'adapter des fonctions aux besoins du client de machine de brouillard en ajustant la durée, l'intervalle et le volume de ternissement. Son affichage à cristaux liquides montre les paramètres d'emploi courants, qui sont automatiquement stockés dans la mémoire non-volatile, permettant à la machine d'être mise hors tension sans arrangements perdants de fonction.



1. LCD-Affichage
2. Touche-FUNCTION
3. Touche-UP-/DOWN
4. Touche-TIMER
5. Touche-VOLUME
6. Touche-MANUAL

1. Grâce à la touché “ fonction”, il est possible d’ajuster les réglages desires, comme le volume, les intervalles de vaporization,le ventilateur, et le corps de chauffe. La commande ENTER (volume) est utilisée pour sélectionner l’option désirée. Pour ajuster le réglage du debit de fume, utiliser la commande VOLUME. Ajuster le pourcentage de volume desire grace à la commande UP / DOWN. Pour ajuster le réglage des intervalles de temps, utiliser la commande TIMER avec la commande UP / DOWN (fleches). Pour les intervalles, ajuster entre 1 et 900 secondes, pour la durée, ajuster entre 1 et 200 secondes, pour le volume, ajuster entre 1 % et le non-stop burst, c’est- à-dire le debit permanent ou la machine ne s’arrétera pas pour une re-chauffe, ou un Debit d’ environ 50%. Utiliser la commande ENTER pour sélectionner chaque option, et faire les changements Desires. Pour éteindre le corps de chauffe et le ventilateur, utiliser la fonction HEAT et FAN. Utiliser la commande ENTER(volume) pour confirmer la selection. Utiliser la commande ON / OFF (manual) pour allumer.

2. Toujours appuyez sur la touche ENTER (VOLUME) pour confirmer le réglage.

3. Appuyez sur la touche ESC (TIMER) pour sortir le niveau de menu actuel et pour se déplacer à un niveau nouvel.

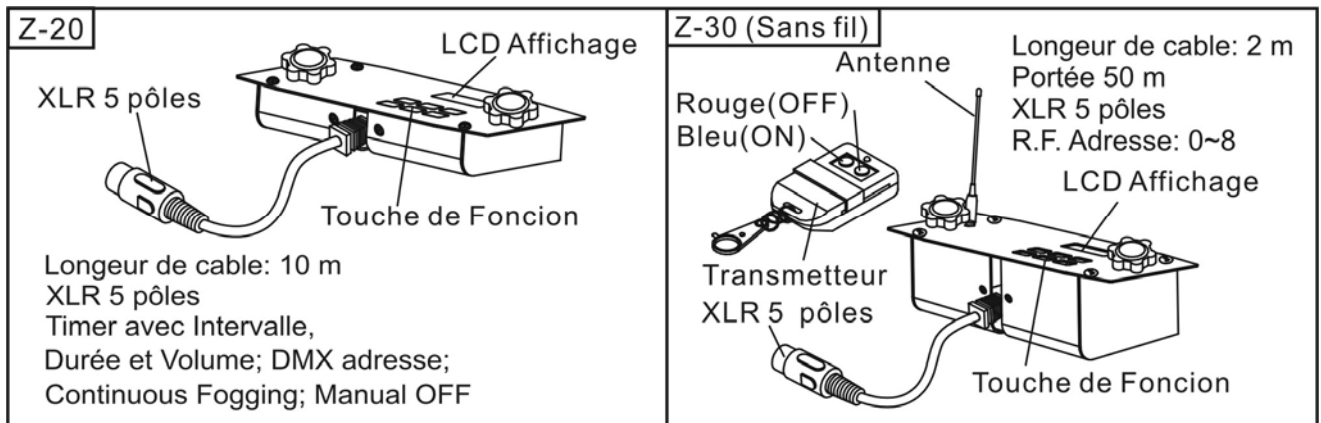
4. Appuyer sur la commande TIMER pour activer la fonction du temps. L’affichage montre alors l’intervalle ajusté et l’appareil compte les secondes à partir de “0”. Ensuite, la sortie de fume est déclenchée au volume ajusté sous l’option TIMER. La durée depend des réglages ajustés sous l’option DURATION. Si vous souhaitez désactiver la fonction du temps, appuyer à nouveau dessus.

5. Appuyer sur la commande VOLUME pour déclencher immédiatement le jet de fume au debit ajusté sous l’ option VOLUME Appuyer à nouveau pour arrêter le jet de fume.

6. Appuyer sur la commande MANUAL pour déclencher immédiatement le jet de fume avec un volume de 100%. Retirer votre doigt de la commande MANUAL, de facon à arrêter le jet de fume.

7. Quand en mode Stand By, appuyez sur la touche "ON/OFF" pour réactiver la machine

- ◆ **Z-30:** A les memes caractéristiques que la Z-20, mais a la faculté d’être sans fil. L’utilisation sans fil est possible jusqu’à une distance de 50 m. L’adresse peut être réglée de 0 à 8, ce qui veut dire que 9 unités différentes peuvent être controlées séparément ou simultanément. Appuyer sur FUNCTION pour lire le mode RF afin de sélectionner le numéro de l’adresse désirée. S’assurer que le réglage de l’adresse sur la télécommande Z-30 correspond à au réglage de l’adresse de l’ émetteur. Il y a deux boutons sur l’ émetteur, le bleu pour émettre la fume, et le rouge pour stopper l’utilisation.



## Remarques de fonctionnement

- ◆ Toutes machines à fumée dégagent une condensation autour de son bec de sortie qui pourrait mener à une accumulation d'humidité au-dessus de l'appareil. Prenez cela en considération lors du choix de l'emplacement de votre appareil.
- ◆ Pendant son fonctionnement ou quelque temps après, il se peut de temps à autre qu'une machine à fumée débite spontanément de la fumée.
- ◆ Après une utilisation continue toutes machine à fumée a besoin de pauses de fonctionnement pour garder une température correcte. Pendant ce temps-là, aucune fumée ne peut être produite et la DEL verte "READY" sur la télécommande sera éteinte. Elle s'allumera quand la machine sera de nouveau prête à l'emploi.

## Maintenance

Faites toujours attention de ne pas polluer le liquide à fumée. Après l'avoir rempli de liquide à fumée, refermez toujours immédiatement les couvercles du bidon de liquide et du réservoir de la machine.

Après une utilisation continue de 40 heures, il est recommandé de procéder à un nettoyage de l'appareil pour éviter une accumulation de résidus dans l'élément de chauffage. Utilisez une solution composée de 80% d'eau distillée et de 20% de vinaigre. Pratiquez le nettoyage de la manière suivante:

1. Après avoir débranché l'appareil et avoir attendu qu'il ait refroidi, dévissez le bec de sortie au front de la machine et nettoyez les résidus à l'aide de vinaigre et d'un cure-pipe. Assurez vous que le trou soit complètement débouché.
2. Videz complètement la machine de liquide à fumée. Versez la solution de nettoyage dans le réservoir. Branchez l'appareil et mettez-le en marche.
3. Faites marcher la machine dans une salle bien aérée jusqu'à ce que son réservoir soit vide.
4. Revissez le bec de la machine.
5. Le nettoyage est accompli. Remplissez la machine de liquide à fumée.

**Remarque:** Dû à la consistance visqueuse du liquide à fumée et à la haute température avec laquelle la fumée s'évapore, toutes les machines à fumée ont tendance à encrasser. Le entretien régulier de la machine garanti cependant son usage solide pour de nombreuses années.

- ◆ Nettoyez le boîtier de la machine seulement avec un chiffon sec.
- ◆ L'appareil est à stocker au sec.

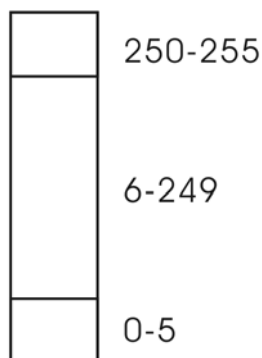
## L'entreposage

1. Utiliser l'eau déstillé pour purge de machine à fumée avant de l'entreposage. Actionnez la fonction de fumée de la machine dans un endroit bien aéré.
2. Nous recommandons de contrôler la machine mensuellement. C'est constitué du temps de chauffage et du débit de fumée de quelques minutes. Ensuite, suivez les instructions du numéro 1.

**Lisez et gardez ces instructions.**

## Série Antari Z-1200II, Z-1500II, Z-3000II DMX

### Réglages DMX pour des machines à fumée avec contrôle DMX



**0 - 5 = Arrêt**

**6 – 249 = Réglage du débit de fumée ( 5% - 95%)**

**250 – 255 = Débit de fumée maximal ( 100%)**

**Les machines à fumée Z-1200II, Z-1500II et Z-300II possèdent un contrôle DMX.** Tous les trois modèles peuvent être réglés par un canal DMX en ce qui concerne le débit de fumée. Chaque canal varie entre les valeurs DMX 0 à 255. Des fonctions Timer comme la durée de fumée et intervalle peuvent être programmés par le contrôleur DMX ou par le logiciel DMX via la fenêtre d'effets lumineux.

**Entre les valeurs 0 et 5 du canal de contrôle A, la machine est en arrêt.**

**Le débit de fumée est réglé entre les valeurs 6 à 249.** Dans ce contexte, la valeur 6 concerne le débit de fumée minimal et 249 concerne le débit de fumée maximal. Le débit de fumée augmente avec une valeur DMX croissante.

**Entre les valeurs 250 et 255, la machine fonctionne avec un débit de fumée maximal.**

S'il vous plaît faites attention que si la machine était codée sur l'adresse initiale DMX 124 dans l'exemple en haut, le canal A correspond exactement à cette adresse initiale DMX.

En général, les machines à fumée d'Antari contrôlés par DMX ont les données de puissance suivantes:

1. Température de fonctionnement moyenne = 250°C
2. Durée d'intervalle avec un débit de fumée maximal env. 30 secondes
3. Débit de fumée constant avec env. 25% de débit de fumée (ce qui correspond à une valeur DMX entre 75).

## Codage de l'appareil (Z-1200II)

Chaque appareil occupe 1 canal de contrôle. Pour que les signals de commande s'adressent correctement à chaque appareil, les appareils doivent être codés. Le codage doit être effectué séparément à chaque appareil: régler les minirupteurs selon le relevé ci-contre.

L'adresse initiale est le premier canal à partir le appareil répond au contrôleur DMX.

Assurez-vous qu'il n'y ait pas de canaux entrelacés pour assurer un contrôle correct et indépendant d'autres appareils DMX. Lorsque deux ou plus appareils sont codés à la même adresse initiale, ils fonctionneront synchronement.

### Occupation des interrupteurs DIP:

Ajuster l'adresse initiale DMX:	Interrupteur DIP no.	1	2	3	4	5	6	7	8	9
Nombre de l'appareil & canaux	Adresse initiale DMX	1	2	4	8	16	32	64	128	256
Appareil 1 - canal 1	On	▲								
	Off		▽	▽	▽	▽	▽	▽	▽	▽
Appareil 2 - canal 2	On		▲							
	Off	▽		▽	▽	▽	▽	▽	▽	▽
Appareil 3 - canal 3	On	▲	▲							
	Off			▽	▽	▽	▽	▽	▽	▽
Appareil 4 - canal 4	On			▲						
	Off	▽	▽		▽	▽	▽	▽	▽	▽
Appareil 5 - canal 5	On	▲		▲						
	Off		▽		▽	▽	▽	▽	▽	▽

## SPECIFICATIONS

Model	Power	Fuse (120V Model)	Fuse (230V Model)	Warm up time	Fog output (Cuft/min)	Tank (Liter)	Hanging bracket	Remote control included
Z-800II	800W	7A	4A	100 sec.	3000	0.8	No	Z-10
Z-1000II	1000W	10A	5A	4.5 min.	10000	1.7	Included	Z-10
Z-1020	1000W	10A	5A	12min.	10000	2.8	No	Z-10
Z-1200II	1200W	13(Breaker)	7(Breaker)	10 min.	18000	2.5	Included	Z-8
Z-1500II	1500W	15(Breaker)	7(Breaker)	11min.	20000	6.0	No	Z-20
Z-3000II	3000W	N/A	15(Breaker)	12min.	40000	6.0	No	Z-20

## OPTION

Model	Timer Remote	Wireless Remote	10 meter Remote Extension	Compatible With DNG-100	DNG-100 Adaptor	Machine Linkable	DMX Adaptor
Z-800II	Z-40	Z-50	EXT-1	Yes	FTA-1	No	N/A
Z-1000II	Z-40	Z-50	EXT-1	Yes	FTA-1	Yes	On Board
Z-1020	Z-40	Z-50	EXT-1	No	N/A	Yes	On Board
Z-1200II	Z-8	Z-9	EXT-6	Yes	FTA-2	Yes	On Board
Z-1500II	N/A	Z-30	EXT-3	Yes	FTA-3	Yes	On Board
Z-3000II	N/A	Z-30	EXT-3	Yes	FTA-3	Yes	On Board



## “The Perfect Balance of Light and Fog”



\*Note: It is highly recommended to use ANTARI fog liquid for best fog effect.

### **\*\*Warranty**

Warranty shall be valid only if the product is purchased from Antari's authorized distributors or dealers. For warranty service, send the product only to an authorized distributor or dealer.

All warranties are void if the product has been modified in any manner; if the product has been repaired or serviced by unauthorized personnel; or the product is damaged due to improper use or maintenance as set forth in the instruction manual.

This is not a service contract and does not include standard maintenance or cleaning. All expendables are not covered by this warranty.

The distributor reserves the right to change design and specifications without obligation to include these changes in previously manufactured products.

Additional warranties provided at the discretion of the distributor dealers shall remain the sole obligation of the distributor or dealer.



For current product information visit Antari at [www.antari.com](http://www.antari.com)  
For information requests please contact us at [sales@antari.com](mailto:sales@antari.com)



[www.antari.com](http://www.antari.com)

